



Hadco MainView LED post top is a traditionally styled luminaire created for comfort and ease of maintenance. This post top offers offers you multiple wattage options and is designed to be future-proof, giving you maximum flexibility at an affordable price. MainView facilitates lower maintenance due to easy component replacement, a longer life, and fewer internal parts than traditional post tops. This makes the MainView a clear choice for communities looking to provide comfortable lighting for less.

Project: _____
 Location: _____
 Cat.No: _____
 Type: _____
 Lamps: _____ Qty: _____
 Notes: _____

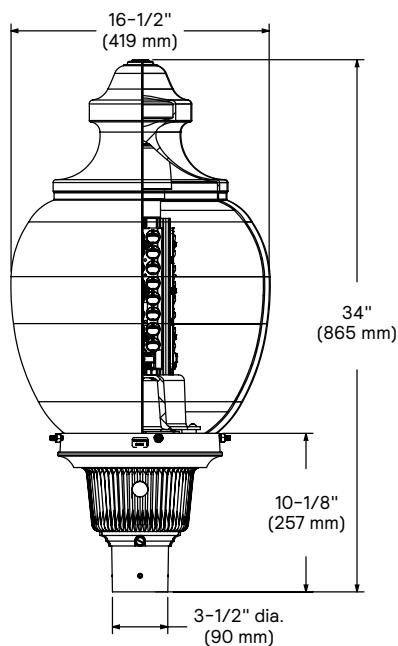
Ordering guide

example: **MV-G-CA-G1-425-5-730-A-S-N-R7-SP1-BKS**

Model code	Pod	Globe/roof	Generation code	Drive current	Distribution	Color temperature	Voltage
MV	G	CA	G1				
MV MainView post top	G Tall round fluted 3"	CA Visual comfort acorn	G1 Generation 1	250 250mA 350 350mA 450 450mA 530 530mA 600 600mA 200 200mA 250 250mA 300 300mA 350 350mA 425 425mA	3 Assymetric 3H with HSS 5 Symmetric	727 2700K (70 CRI) 730 3000K (70 CRI) 740 4000K (70 CRI)	A 120-277V B 347-480V
Integral controls		Pod photo control	Internal future-proof receptacle		Surge protection		Finish
DL ¹ DALI (default: logarithmic) SRD ^{1,2} Sensor ready driver, standard configuration SRD1 ^{1,2} Sensor ready driver, alternate configuration S FAWS Field Adjustable Wattage Selector N None		R 3 Pin Receptacle N None	R7 ³ 7 Pin Receptacle on top of LED engine N None		SP1 Parallel 10kV standard SP2 Parallel 20kV		BKS Black Smooth WHS White Smooth BZS Bronze Smooth GNS Green Smooth BK Black Texture WH White Texture BZ Bronze Texture GN Green Texture

- Contact Custom Engineering for specific programming required.
- Not available with 347-480V.
- If ordering Interact City control node, use the Astroclock version.

Dimensions



Width: 16-1/2" / 419 mm diameter
Height: 34" / 865 mm
EPA: 1.17 sq. ft (maximum)
Weight: 20 lbs / 9.1 kg (maximum)

LED post top

Field Adjustable Wattage Selector (FAWS) Multiplier Chart

Type 3

FAWS Position	Power Ratio	Lumen Ratio
1	0.30	0.33
2	0.50	0.532
3	0.58	0.63
4	0.69	0.71
5	0.74	0.74
6	0.80	0.71
7	0.860	0.87
8	0.91	0.89
9	0.95	0.91
10	1	1

Note: Typical value accuracy +/- 5%

Type 5

FAWS Position	Power Ratio	Lumen Ratio
1	0.30	0.46
2	0.50	0.54
3	0.58	0.62
4	0.69	0.72
5	0.74	0.77
6	0.80	0.72
7	0.86	0.88
8	0.91	0.89
9	0.95	0.96
10	1	1

Note: Typical value accuracy +/- 5%

LED Wattage and Lumen Values

Asymmetric with comfort globe

Catalog Number	LED Qty	System Current (mA)	Color Temperature	Avg System Wattage (W)	Type 3		
					Lumen Output	Efficacy (Lm/W)	BUG Rating
MV-CA-G1-250-x-730	48	250	3000	37	4627	124	B1-U5-G3
MV-CA-G1-350-x-730	48	350	3000	51	6309	124	B2-U5-G3
MV-CA-G1-450-x-730	48	450	3000	66	7975	121	B2-U5-G3
MV-CA-G1-530-x-730	48	530	3000	77	9130	119	B2-U5-G4
MV-CA-G1-600-x-730	48	600	3000	88	10157	116	B2-U5-G4
MV-CA-G1-250-x-740	48	250	4000	37	5341	144	B1-U5-G3
MV-CA-G1-350-x-740	48	350	4000	51	7282	143	B2-U5-G3
MV-CA-G1-450-x-740	48	450	4000	66	9205	140	B2-U5-G4
MV-CA-G1-530-x-740	48	530	4000	77	10537	137	B2-U5-G4
MV-CA-G1-600-x-740	48	600	4000	88	11723	134	B3-U5-G4

Asymmetric with comfort globe and internal house-side shield

Catalog Number	LED Qty	System Current (mA)	Color Temperature	Avg System Wattage (W)	Type 3H		
					Lumen Output	Efficacy (Lm/W)	BUG Rating
MV-CA-G1-250-x-730	48	250	3000	37	4441	119	B1-U5-G3
MV-CA-G1-350-x-730	48	350	3000	51	6055	119	B1-U5-G3
MV-CA-G1-450-x-730	48	450	3000	66	7654	116	B2-U5-G3
MV-CA-G1-530-x-730	48	530	3000	77	8762	114	B2-U5-G4
MV-CA-G1-600-x-730	48	600	3000	88	9747	111	B2-U5-G4
MV-CA-G1-250-x-740	48	250	4000	37	5126	138	B1-U5-G3
MV-CA-G1-350-x-740	48	350	4000	51	6988	137	B1-U5-G3
MV-CA-G1-450-x-740	48	450	4000	66	8834	134	B2-U5-G4
MV-CA-G1-530-x-740	48	530	4000	77	10113	131	B2-U5-G4
MV-CA-G1-600-x-740	48	600	4000	88	11250	128	B2-U5-G4

Symmetric with comfort globe

Catalog Number	LED Qty	System Current (mA)	Color Temperature	Avg System Wattage (W)	Type 5		
					Lumen Output	Efficacy (Lm/W)	BUG Rating
MV-CA-G1-200-x-730	64	200	3000	40	5227	131	B2-U5-G3
MV-CA-G1-250-x-730	64	250	3000	49	6418	131	B2-U5-G3
MV-CA-G1-300-x-730	64	300	3000	59	7576	129	B3-U5-G3
MV-CA-G1-350-x-730	64	350	3000	68	8696	128	B3-U5-G3
MV-CA-G1-425-x-730	64	425	3000	83	10255	124	B3-U5-G3
MV-CA-G1-200-x-740	64	200	4000	40	5920	149	B2-U5-G3
MV-CA-G1-250-x-740	64	250	4000	49	7268	148	B2-U5-G3
MV-CA-G1-300-x-740	64	300	4000	59	8579	146	B3-U5-G3
MV-CA-G1-350-x-740	64	350	4000	68	9848	145	B3-U5-G3
MV-CA-G1-425-x-740	64	425	4000	83	11614	141	B3-U5-G4

Actual performance may vary due to installation variables including optics, mounting/ceiling height, dirt depreciation, light loss factor, etc.; highly recommended to confirm performance with a layout - contact Applications at outdoorlighting.applications@signify.com.

LED post top

Predicted Lumen Depreciation Data

Predicted performance derived from LED manufacturer's data and engineering design estimates, based on IESNA LM-80 methodology. Actual experience may vary due to field application conditions. L70 is the predicted time when LED performance depreciates to 70% of initial lumen output. Calculated per IESNA TM21-11. Published L70 hours limited to 6 times actual LED test hours.

Ambient Temperature °C	Driver mA	Calculated L70 Hours	L70 per TM-21	Lumen Maintenance % at 54,000 hrs
25°C	500 mA	>100,000 hours	>60,000 hours	>96%

Specifications

Housing/fitter

Tall Round fluted fitter is constructed of diecast 360 aluminum alloy with removable door providing entry into the fitter assembly for easy access to the electrical components. Wiring block to accept three #8 solid or stranded wires. Easy access to photo eye through the door on the pod. Heavy cast aluminum post fitter utilizes four 5/16-18 black cadmium stainless steel set screws (Hex head) for mounting to 3" O.D. post tenon. Globe holder has an internal water trap to prevent water from entering ballast compartment. Globe is held by utilizing four 5/16-18 black cadmium stainless steel fasteners (Hex head). All hardware to be stainless steel and captive. Pod height is 10-1/8" and width is 10-1/2".

Light engine

Light engine is composed of four main components: Heat Sink, LED, Optical System, and Driver. Electrical components are RoHS compliant.

Entire luminaire is rated for operation in ambient temperature of -40°C / -40°F up to +40°C / +104°F. B Voltage configurations rated for operation in ambient temperature of -40°C / -40°F up to +35°C / +95°F.

LED and optics

Composed of 48 or 64 high power LEDs. LED board substrate is MCPCB (Metal Core Printed Circuit Board), designed to minimize thermal resistance from LED junction to heat sinks. Color temperature as per ANSI/NEMA bin Neutral White, 4000 Kelvin nominal (3985K+/275K or 3710K to 4260K) or Warm White, 3000 Kelvin nominal (3045K +/- 175K or 2870K to 3220K), CRI 70 Min. 75 Typical.

Type 3 and Type 5 distribution choices are available. Optics form an IP66 light engine to ensure complete environmental protection against water and dust ingress and corrosion, critical to long term LED reliability. All wiring is full copper, with 105C rated insulation. LED modules are secured to heatsinks using #8 stainless steel hardware, guaranteeing construction rigidity and vibration resistance.

Heat sinks

LED Engine construction consists of four 6063-T5 aluminum heat sinks, clear anodized to MIL-A-8625 specifications for excellent corrosion resistance and surface finish. Fin spacing has been optimized for maximum convective heat transfer under natural convection conditions, maximizing LED life and efficiency. Heat sinks provide greater than 700 sq. in. of convective surface area total, ensuring proper junction temperature control, lumen maintenance, and system reliability. Extruded heatsinks meet or exceed tolerances as specified by AEC (Aluminum Extruders Council) standards and have been designed to provide superior surface flatness, ensuring excellent contact between heatsinks and LEDs.

Product does not use any cooling device with moving parts (passive cooling only).

Heat sinks are secured using galvanized steel brackets and stainless steel hardware to provide additional corrosion resistance.

Driver

Driver comes standard with 0-10V dimming capability. High power factor of 95%. Electronic driver, operating range 50/60 Hz. Auto adjusting universal voltage input from 120 to 277 VAC rated for both application line to line or line to neutral, Class I, THD of 20% max. Driver operating ambient temperature range is -40F (-40C) to +130F (+55C). Certified in compliance to UL1310 cULus requirement (dry and damp location). Driver is part of the light engine assembly. The light engine assembly is removable by loosening two screws and twisting the light engine assembly. Quick connect Wago connectors are used for the power and ground wires to the light engine. The current supplying the LEDs will be reduced by the driver if the driver experiences internal overheating as a protection to the LEDs and the electrical components. Output is protected from short circuits, voltage overload and current overload. Automatic recovery after correction. Standard built in driver surge protection of 2.5kV (min).

SRD: Sensor Ready Driver including SR communication (used for dimming and other functionalities) 24V auxiliary supply connected and enabled. Logical signal input (LSI) connected to the top NEMA twist lock receptacle, functionality disabled.

SRD1: Sensor Ready Driver including SR communication (used for dimming and other functionalities) but with 24V auxiliary supply and a logical signal input (LSI) not connected to the top NEMA twist, functionality disabled for LSI and 24V auxiliary supply.

DL: Pre-set driver compatible with the DALI control system. Logarithmic standard.

FAWS

Field Adjustable Wattage Selector, pre set to the highest position, can be easily switched in the field to the required position. This reduces total luminaire wattage consumption and reduces the light level – see the FAWS multiplier chart for more details. Note: It is not recommended to use FAWS with other dimming or controls; if you do, set the switch to position 10 (maximum output) to enable the other dimming or controls. Switching FAWS to any position other than 10 will disable the other dimming or controls.

Surge protection

SP1: Surge protection device tested in accordance with ANSI/IEEE C62.45 per ANSI/ IEEE C62.41.2 Scenario I Category C High Exposure 10kV/10kA waveforms for Line-Ground, Line-Neutral and Neutral-Ground, and in accordance with DOE MSSLC Model Specification for LED Roadway Luminaires Appendix D Electrical Immunity High test level 10kV/10kA.

SP2: Optional 20kV / 10kA surge protection device that provides extra protection beyond the SP1 10kV/10kA level.

Photo control options

R7: Available on top of the LED engine inside the globe. (if inside the globe an astro-clock smart node must be used) Receptacle with 7 pins enabling dimming and additional functionality (to be determined). Can be used with a twist lock node or a shorting cap. Will ship with a shorting cap installed for this product. Remove shorting cap when you are ready to install your node.

Luminaire useful life

Refer to IES files for energy consumption and delivered lumens for each option. Based on ISTMT in situ thermal testing in accordance with UL1598 and UL8750, using LM-80 data from LED manufacturers and engineering prediction methods, the luminaire useful life is expected to reach 100,000+ hours with >L70 lumen maintenance @ 25°C Luminaire useful life accounts for LED lumen maintenance and additional factors, including LED life, driver life, PCB substrate, solder joints on/off cycles and burning hours for nominal applications.

Hardware

All non-ferrous fasteners prevent corrosion and ensure longer life.

Wiring

18 AWG wire, 6" (152mm) minimum exceeding from luminaire.

Options

House side shield included for optional field installation.

Finish

Color in accordance with the AAMA 2603 standard. Application of polyester powder coat paint (4 mils/100 microns) with ± 1 mils / 24 microns of tolerance. The Thermosetting resins provides a discoloration resistant finish in accordance with the ASTM D2244 standard, as well as luster retention in keeping with the ASTM D523 standard and humidity proof in accordance with the ASTM D2247 standard. The surface treatment achieves a minimum of 2000 hours for salt spray resistant finish in accordance with testing performed and per ASTM B117 standard.

BKS: Black Smooth

WHS: White Smooth

BZS: Bronze Smooth

GNS: Green Smooth

BK: Black Texture

WH: White Texture

BZ: Bronze Texture

GN: Green Texture

MV MainView

LED post top

Specifications

LED products manufacturing standard

Electrostatic discharge (ESD) such as light emitting diodes (LEDs) are assembled in compliance with IEC61340 5 1 and ANSI/ ESD S20.20 standards so as to eliminate ESD events that could decrease the useful life of the product.

Quality Control

The manufacturer must provide a written confirmation of its ISO 9001 2008 and ISO 14001 2004 International Quality Standards Certification. Meets the ANSI C136.31 2010, American national Standard for Roadway Luminaire Vibration specifications for Normal Applications.

Certifications and Compliance

Manufactured to ISO 9001:2008 Standards, UL8750 and UL1598 compliant. ETL listed to U.S. safety standards for wet locations. cETL listed to Canadian safety standards for wet locations. LM80 & LM79 tested.

Warranty

5 year standard warranty. Options available for extended warranties – contact factory. See signify.com/warranties for details and restrictions.

