



Hadco Indian Wells post top family offers a simple modern take on the traditional lantern, providing style and elegance to downtown areas, commercial developments, parks and residential communities. Powered by TrueForce LED lamp, Indian Wells provides longevity and energy savings. TrueForce LED lamp is shipped with the luminaire.

Project: _____
 Location: _____
 Cat.No: _____
 Type: _____
 Lumens: _____ Qty: _____
 Notes: _____

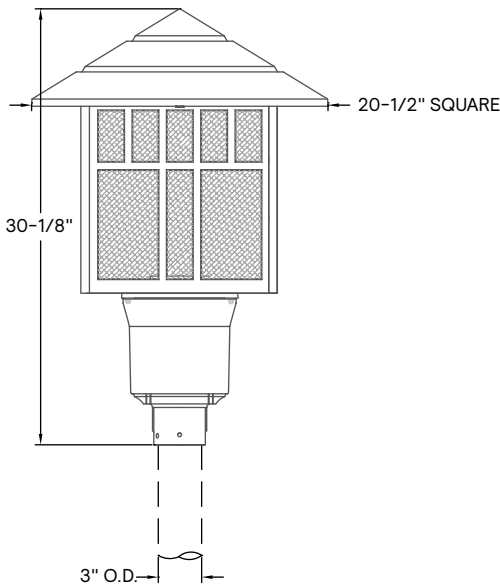
Ordering guide

Example: 28738-BLK-B-D-26L730-E-TO-B-D

Series	Finish	Panel	Socket	Wattage	Voltage	Distribution	Photo control	Cage
28738						TO		
28737 Indian Wells	BLK Black BRZ Bronze FGN Forest Green VGN Verde WHT White	B Opal Acrylic Q Prismatic	D Medium G Mogul	26L730 ¹ 26L740 ¹ 35L730 ² 35L740 ² 55L730 ² 55L740 ²	E 120V F 208 V G 240V H 277V	TO Bare Lamp	B Button Eye ³ N None	D Decorative T Traditional (open)

- 1. Only available with medium (D) socket
- 2. Only available with mogul (G) socket
- 3. Button eye (B) available in 120V (E) only

Dimensions



- Width:** 20-1/2" / 52cm square
- Height:** 30-1/8" / 77cm
- Fitter:** 3" / 8cm I.D.
- EPA:** 2.17 sq. ft (maximum)
- Weight:** 44 lbs / 19.96 kg (maximum)

28738 Indian Wells

Post top

LED Wattage and Lumen Values: Indian Wells 28737

Opal Panel 3000K		Lamp		
Ordering Code:	Average System Wattage (W)	Delivered Lumens	Efficacy (LPW)	BUG Rating
B-26L730-T0-T	26W	1590	63	B1-U3-G2
B-35L730-T0-T	35W	2459	72	B1-U4-G2
B-55L730-T0-T	55W	4041	77	B1-U5-G3

Opal Panel Decorative Cage 3000K		Lamp		
Ordering Code:	Average System Wattage (W)	Delivered Lumens	Efficacy (LPW)	BUG Rating
B-26L730-T0-D	26W	1137	44	B1-U3-G1
B-35L730-T0-D	35W	1833	54	B1-U4-G2
B-55L730-T0-D	55W	2889	55	B1-U4-G2

Opal Panel 4000K		Lamp		
Ordering Code:	Average System Wattage (W)	Delivered Lumens	Efficacy (LPW)	BUG Rating
B-26L740-T0-T	26W	1520	59	B1-U3-G1
B-35L740-T0-T	35W	2459	72	B1-U4-G2
B-55L740-T0-T	55W	3887	74	B1-U5-G3

Opal Panel Decorative Cage 4000K		Lamp		
Ordering Code:	Average System Wattage (W)	Delivered Lumens	Efficacy (LPW)	BUG Rating
B-26L740-T0-D	26W	1221	49	B1-U3-G1
B-35L740-T0-D	35W	1833	54	B1-U4-G2
B-55L740-T0-D	55W	3102	60	B1-U4-G2

Prismatic Panel 3000K		Lamp		
Ordering Code:	Average System Wattage (W)	Delivered Lumens	Efficacy (LPW)	BUG Rating
Q-26L730-T0-T	26W	1633	66	B1-U4-G2
Q-35L730-T0-T	35W	2647	78	B1-U4-G2
Q-55L730-T0-T	55W	4174	81	B1-U5-G3

Prismatic Panel Decorative Cage 3000K		Lamp		
Ordering Code:	Average System Wattage (W)	Delivered Lumens	Efficacy (LPW)	BUG Rating
Q-26L730-T0-D	26W	1218	48	B1-U3-G1
Q-35L730-T0-D	35W	1964	58	B1-U3-G2
Q-55L730-T0-D	55W	3096	59	B1-U4-G3

Prismatic Panel 4000K		Lamp		
Ordering Code:	Average System Wattage (W)	Delivered Lumens	Efficacy (LPW)	BUG Rating
Q-26L740-T0-T	26W	1757	71	B1-U4-G2
Q-35L740-T0-T	35W	2647	77	B1-U4-G2
Q-55L740-T0-T	55W	4493	87	B2-U5-G3

Prismatic Panel Decorative Cage 4000K		Lamp		
Ordering Code:	Average System Wattage (W)	Delivered Lumens	Efficacy (LPW)	BUG Rating
Q-26L740-T0-D	26W	1309	53	B1-U3-G1
Q-35L740-T0-D	35W	1964	57	B1-U3-G2
Q-55L740-T0-D	55W	3325	64	B1-U4-G3

Values from photometric tests performed in accordance with IESNA LM-79 and are representative of the configurations shown. Actual performance may vary due to installation and environmental variables, LED and driver tolerances, and field measurement considerations. It is highly recommended to confirm performance with a photometric layout.

NOTE: Some data may be scaled based on tests of similar (but not identical) luminaires. Contact factory for configurations not shown.

28738 Indian Wells

Post top

Specifications:

Housing

Access Mechanism: Cast aluminum square roof. Five-piece cast aluminum square cage securely welded together to form a one-piece unit.

Cast aluminum post fitter slips over 3" O.D. post or tenon

Panels:

B Opal Acrylic

Q Prismatic

LED lamp

Lamp included. Medium or Mogul Base socket lamp, composed of high-performance white LEDs. Color temperature, 3000 or 4000 Kelvin, CRI 70 Nominal. Power factor of 90% minimum. Electronic driver, operating range 50/60 Hz. Auto-adjusting universal voltage input from

120 to 277 VAC Maximum ambient operating temperature from -40F(-40C) to 130F(55C)
temperature from -40F(-40C) to 130F(55C)

Luminaire Useful Life

50,000 hours L70 25C

Hardware

All non-ferrous fasteners prevent corrosion and ensure longer life.

Wiring

18 AWG wire, 6" (152mm) minimum exceeding from luminaire.

Finish

Color in accordance with the AAMA 2603 standard. Application of polyester powder coat paint (4 mils/100 microns) with ± 1 mils / 24 microns of tolerance. The Thermosetting resins provides a discoloration resistant finish in accordance with the ASTM D2244 standard, as well as luster retention in keeping with the ASTM D523 standard and humidity proof in accordance with the ASTM D2247 standard. The surface treatment achieves a minimum of 2000 hours for salt spray resistant finish in accordance with testing performed and per ASTM B117 standard.

Quality Control

The manufacturer must provide a written confirmation of its ISO 9001 2008 and ISO 14001 2004 International Quality Standards Certification.

Certifications and Compliance

ETL Listed to U.S. safety standards for wet locations. cETL Listed to Canadian safety standards for wet locations.

Warranty

5 year extended warranty. Go to www.signify.com/warranties for more information.