



The **Keene Area light** features energy saving LED technology ideal for pole mounted area lighting applications. The Area light is available with Type 3 and 4 distributions in four lumen packages, providing up to 22,000 lumens.

Project: _____
 Location: _____
 Cat.No: _____
 Type: _____
 Notes: _____

Ordering guide

Example: AL-150-NW-G2-AR-3-8-FAWS-BZ

Luminaire	Wattage	LED Color-Generation	Mounting	Distribution	Voltage	Dimming Controls	Finish
AL		NW-G2	AR		FAWS		BZ
AL Area Light	70 70W 150 150W	NW-G2 Neutral White, 4000K, 70 CRI, Gen. 2	AR ¹ Arm mounting	3 Type 3 4 Type 4	8 120-277 volts 6 347-480 volts	FAWS Field Adjustable Wattage Selector	BZ Bronze

1. Mounts to a square pole.

Accessories

AL-SF-G2-BZ Slip Fitter Mounting Accessory
(Order separately, field installed)

AL-RP-G2-BZ Round Pole Adapter Accessory
(Order separately, field installed)



Slip Fitter
Mounting Accessory



Round Pole Adapter
Mounting Accessory

AL70/AL150 LED Area light

Specifications

Housing

Aluminum die-cast housing with attachable arm, made of low copper die cast aluminum alloy for high resistance to corrosion.

IP Rating

LED light engine rated IP66. Driver compartment rated to IP65. Luminaire housing is rated to IP65, tested in accordance to Section 9 of IEC 60598-1.

Vibration Resistance

Luminaire is tested and rated 1.5G over 100,000 cycles conforming to standards set forth by ANSI C136.31-2010. Testing includes vibration to 1.5G acceleration in three axes, all performed on the same luminaire.

Electrical

Driver efficiency (>90% at full load). Available in 120-277V and 347-480V. IP66 compliant driver. RoHS compliant. Surge protector standard. 10KA per ANSI/IEEE C62.41.2. Each luminaire includes a 3-pin twist lock receptacle and shorting cap.

LED Board and Array

224 or 336 LEDs. Color temperature 4000K, +/- 250K. Minimum CRI of 70. Metal core substrate.

Optical System

Type 3 and 4 distributions available.

LED Thermal Management

The sleek profile with optimized surface area and minimum use of heat fins, allows the one piece housing to provide excellent convection heat transfer thermal management critical to long LED system life.

Controls

Field Adjustable Wattage Selector (FAWS) and 3 pin Receptacle with shorting cap included as standard on all models.

Dimming Control Options

Field Adjustable Wattage Selector (FAWS): Luminaire equipped with the ability to manually adjust the wattage in the field to reduce total luminaire lumen output and light levels. Comes pre-set to the highest position at the lumen output selected. Use chart below to estimate reduction in lumen output desired.

FAWS Position	% of Typical Lumen Output	Wattage Output
AL70		
1	100%	71W
2	88%	63W
3	78%	55W
4	66%	46W
AL150		
1	100%	142W
2	90%	126W
3	81%	112W
4	71%	96W

Mounting

Standard luminaire arm mounts to square poles.

Energy Saving Benefits

System efficacy up to 172lms/W with significant energy savings over HID luminaires.

Listings

UL/cUL listed to the UL 1598 standard, suitable for Wet Locations. Suitable for use in ambient from -40° to 40°C (-40° to 104°F).

All product configurations are DesignLights Consortium® qualified.

Finish

Each luminaire receives a fade and abrasion resistant, electrostatically applied, thermally cured, triglycidyl isocyanurate (TGIC) textured polyester powdercoat finish. Standard color is bronze (BZ).

Limited Warranty

Luminaires, LED arrays, and drivers are all covered by a 5-year limited warranty. See signify.com/warranties for details.

Predicted Lumen Depreciation Data

Predicted performance derived from LED manufacturer's data and engineering design estimates, based on IESNA LM-80 methodology. Actual experience may vary due to field application conditions. L_{70} is the predicted time when LED performance depreciates to 70% of initial lumen output. Calculated per IESNA TM 21-11. Published L_{70} hours limited to 6 times actual LED test hours.

Ambient Temp °C	LED Current	System Current	Calculated L_{70} hrs ^{1,2}	L_{70} per TM21 ^{2,3}	Lumen Maintenance @ 50,000 hrs
25 °C	40mA	1359mA	>100,000	>54,000	94%

1. Predicted performance derived from LED manufacturer's data and engineering design estimates, based on IESNA LM-80 methodology. Actual experience may vary due to field application conditions.

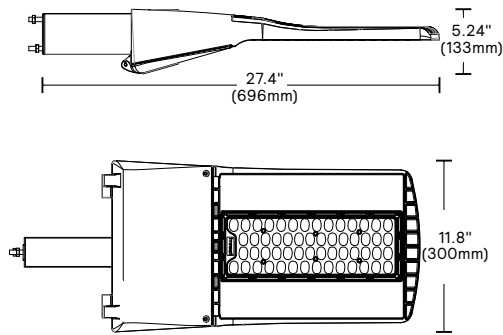
2. L_{70} is the predicted time when LED performance depreciates to 70% of initial lumen output.

3. Calculated per IESNA TM 21-11. Published L_{70} hours limited to 6 times actual LED test hours.

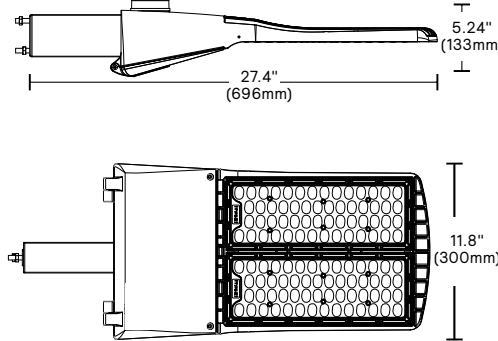
AL70/AL150 LED Area light

Dimensions

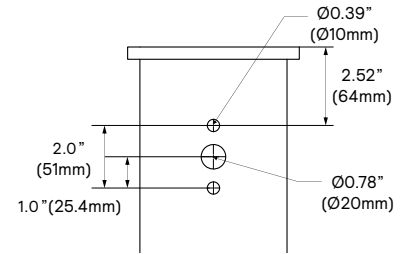
AL70-NW-G2-AR



AL150-NW-G2-AR



Pole Drill Template



Weight: 13.6lbs (.4536kg)
EPA: .203ft² (0.019m²)

Weight: 13.6lbs (.4536kg)
EPA: .203ft² (0.019m²)

LED Wattage and Lumen Values

Ordering Code	Total LEDs	LED Current (mA)	Color Temp.	Average System Watts	Type 3			Type 4		
					Lumen Output	BUG Rating	Efficacy (LPW)	Lumen Output	BUG Rating	Efficacy (LPW)
AL70-NW-G2-AR-x	224	394	4000	46	7609	B2-U0-G2	164	7968	B2-U0-G2	172
AL70-NW-G2-AR-x	224	463	4000	55	8919	B2-U0-G2	162	9340	B2-U0-G2	169
AL70-NW-G2-AR-x	224	528	4000	63	10118	B2-U0-G2	161	10596	B2-U0-G2	169
AL70-NW-G2-AR-x	224	604	4000	71	11451	B3-U0-G3	161	11991	B3-U0-G2	168
AL150-NW-G2-AR-x	336	926	4000	96	15234	B3-U0-G3	159	15953	B3-U0-G3	166
AL150-NW-G2-AR-x	336	1078	4000	112	17500	B3-U0-G3	157	18325	B3-U0-G3	164
AL150-NW-G2-AR-x	336	1202	4000	126	19387	B3-U0-G3	154	20301	B3-U0-G3	162
AL150-NW-G2-AR-x	336	1359	4000	142	21572	B3-U0-G3	152	22590	B3-U0-G3	159

Values from photometric tests performed in accordance with IESNA LM-79 and are representative of the configurations shown.

Actual performance may vary due to installation and environmental variables, LED and driver tolerances, and field measurement considerations. It is highly recommended to confirm performance with a photometric layout.

NOTE: Some data may be scaled based on tests of similar (but not identical) luminaires. Contact factory for configurations not shown.

FAWS allows the customer to adjust the lumen output and wattage to meet their application requirements



© 2023 Signify Holding. All rights reserved. The information provided herein is subject to change, without notice. Signify does not give any representation or warranty as to the accuracy or completeness of the information included herein and shall not be liable for any action in reliance thereon. The information presented in this document is not intended as any commercial offer and does not form part of any quotation or contract, unless otherwise agreed by Signify.

Signify North America Corporation
 400 Crossing Blvd, Suite 600
 Bridgewater, NJ 08807
 Telephone: 855-486-2216

Signify Canada Ltd.
 281 Hillmount Road,
 Markham, ON, Canada L6C 2S3
 Telephone: 800-668-9008

All trademarks are owned by Signify Holding or their respective owners.