

# Day-Brite

## CFI

by @ignify

### Recessed

TG8 troffer 1x4

T5, T5HO, T8



Project: \_\_\_\_\_

Location: \_\_\_\_\_

Cat.No: \_\_\_\_\_

Type: \_\_\_\_\_

Lamps: \_\_\_\_\_ Qty: \_\_\_\_\_

Notes: \_\_\_\_\_

Day-Brite / CFI TG8 troffer is a quality low-profile recessed luminaire with specification features. It is designed around modern lamps and electronic ballasts.

#### Ordering guide

Example: 1TG8232-01-UNV-1/2-EBLHE-LPT835HL

Width	Family	Ceiling Type	Housing	No. of Lamps (not included)	Lamp Type	Door Frame	Lens	Door Finish	Voltage	Options
1	T	G	8		—			—	—	
1' 1'	T TG troffer	G Grid	8 Low profile housing	1 2 3 (except 54HO)	28 28WT5 (46") 32 32WT8 (48") 54HO 54W T5HO (46")	BLANK RA Flat Steel Regressed Aluminum	01 Pattern 12 prismatic acrylic K12, .125" nominal 12 K12, .125" nominal 19 K19, .156" nominal 21 Pattern 12, .125" nominal 30 1/2"x1/2"x1/2" silver louver, polystyrene 34 1-1/2"x1-1/2"x1" silver louver, polystyrene 52 3/4"x3/4"x1/2" silver louver, polystyrene PL3 ALP Para-lite3 high efficiency 3/4"x3/4"x1/2" silver louver, polystyrene	BLANK White B Black RA Door	120 277 347 UNV Universal Voltage 120-277V	1/1 One 1-lamp ballast 1/2 One 2-lamp ballast 1/3 One 3-lamp ballast 1/21 2-lamp & 1-lamp ballasts EB Electronic ballast, <10% THD, std. ballast factor EB10R T8 electronic ballast, program rapid start, <10% THD EBHE T8 electronic ballast, high efficiency, std. ballast factor EBLHE T8 electronic ballast, high efficiency, low ballast factor EBHHE T8 electronic ballast, high efficiency, high ballast factor EBD Electronic dimming ballast, customer specified EBSD T8 electronic step dimming ballast, .88 ballast factor EBD7 Advance Mark 7 dimming ballast, 0-10V (low voltage) control EBDX Advance Mark 10 dimming ballast, phase control E1 B100 emerg. ballast, T8, 350-450 lumens, 120/277V E1CAN B100-CAN emerg. ballast, Canada market, T8, 350-450 lumens, 120/347V E7 B60 emerg. ballast, T8, 600-700 lumens, 120/277V E5 B50 emerg. ballast, U.S. or Canada market, T8, 1100-1400 lumens, UNV E5CAN B50-CAN emerg. ballast, Canada market, T8, 1100-1400 lumens, 120/347V E5ST B50ST emerg. ballast w/self test, T8, 1100-1400 lumens, UNV E7LP LP550 emerg. ballast T5/T5HO, 430-700 lumens, 120/277V E6LP LP600 emerg. ballast U.S. or Canada market, T5/T5HO, 750-1325 lumens, 120/277V F1 3/8" flex 3 wire, 18 gauge 6' F2 3/8" flex 4 wire, 18 gauge 6' F2/5W 3/8" single flex, 5 wire 18 gauge 6' for dimmable luminaires GLR Fusing, fast blow

#### Accessories

- FMA14 1'x4' "F" mounting frame for NEMA "F" mounting
- GCC Grid clip pack (set of 4)



# 1TG8 TG8 troffer 1x4

T5, T5HO, T8

## Construction/finish

- Quality recessed troffer for the following "NEMA" ceiling types: NEMA "G"-Grid, NEMA "NFSG"-Narrow Faced Slot Grid, NEMA "GR"-Grid Regressed, NEMA "NFG"-Narrow Faced Grid
- Field assembled and installed "F" mounting. Frame adapts fixture for use in NEMA "F" ceilings requiring flanges.
- Housing is constructed of pre-painted steel.
- Troffer body die-formed CR steel with reinforcing ribs for rigidity.
- 7/8" K.O.'s provided in each end cap and quick wire access plate in housing top with two 7/8" K.O.'s provided.

- Snap on wireway cover.
- T-bar clips are not integral to the luminaire and must be ordered separately.
- Low profile body minimizes clearance required.
- All units have wire hanger tabs for independent wire suspension.

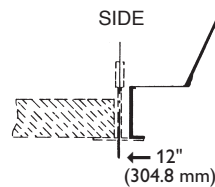
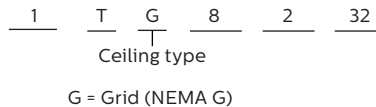
## Electrical

- UL listed, suitable for damp locations.
- Self-contained fluorescent emergency power packs can be incorporated. UL listed for dry locations.
- No exposed internal wiring.

## Enclosure

- Flat steel door frame has mitered corners.
- Hinged and latched (from either side) door frame.
- Mechanically designed interlocks eliminate light leaks, no gaskets are needed.
- White (standard) or black (optional) door frames available.
- Diffuser is clear color stabilized 100% prismatic acrylic.

## Ceiling Configuration

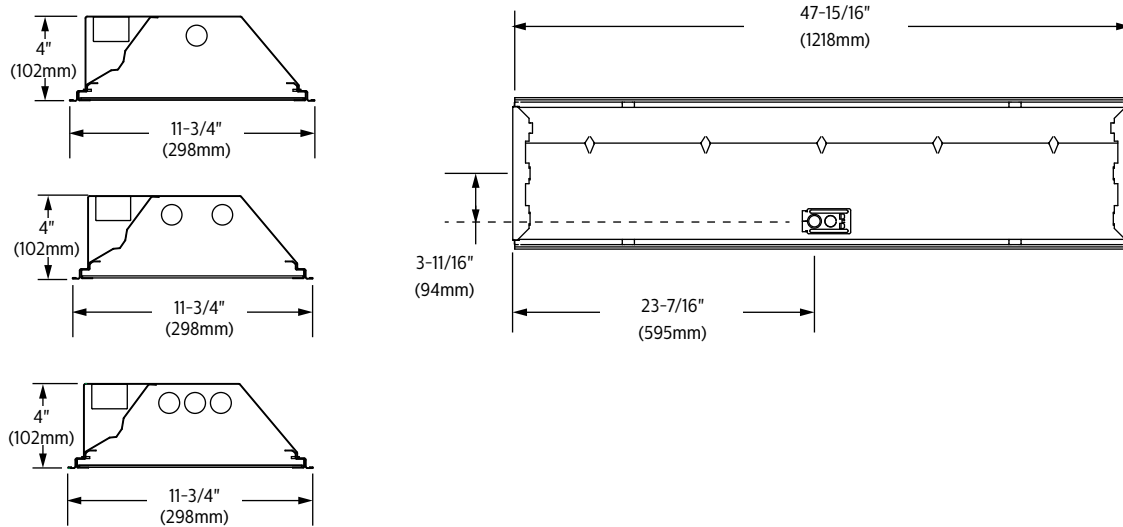


(NEMA Type G)  
Lay-in acoustical ceilings using exposed grid suspension, with tees for luminaires on 12" x 48" spacing.

# 1TG8 TG8 troffer 1x4

T5, T5HO, T8

## Dimensions



## Photometry

### TG8 troffer 1x4 2 Lamp T8

Efficiency – 69.2%

LER – 68

TER – 61

<b>Catalog No.</b> 1TG8232-01 <b>Test No.</b> 33910 <b>S/MH</b> 1.3 <b>Lamp Type</b> F32T8 <b>Lumens/Lamp</b> 3100 <b>Ballast Factor</b> .89 <b>Input Watts</b> 56	<b>Candlepower</b>				<b>Light Distribution</b>				<b>Average Luminance</b>							
	<b>Angle</b>	<b>End</b>	<b>45</b>	<b>Cross</b>	<b>Degrees</b>	<b>Lumens</b>	<b>% Lamp</b>	<b>% Luminaire</b>	<b>Angle</b>	<b>End</b>	<b>45'</b>	<b>Cross</b>				
	0	1732	1732	1732	0-30	1363	22.0	31.8	45	5170	4977	4596				
	5	1722	1723	1728	0-40	2219	35.8	51.8	55	4223	3933	3382				
	15	1668	1677	1679	0-60	3639	58.7	84.9	65	3154	2738	2479				
	25	1545	1553	1561	0-90	4290	69.2	100	75	2788	2077	1951				
	35	1352	1353	1335					85	3838	2270	1354				
	45	1080	1039	960	<b>Coefficients of Utilization</b>											
	55	715	666	573	<b>Effective Floor Cavity Reflectance 20 Per (Pfc=0.20)</b>											
	65	394	342	309	<b>pcc</b>	80			70			50				
75	213	159	149	<b>pw</b>	70	50	30	70	50	30	50	30				
85	99	58	35	<b>RCR</b>												
				0	81	81	81	80	80	80	77	77				
				1	76	72	69	73	70	68	68	66				
				2	68	64	59	68	63	58	59	56				
				3	64	56	52	61	56	51	54	50				
				4	58	51	45	56	50	45	47	44				
				5	54	46	40	53	45	40	44	39				
				6	50	40	35	48	40	34	40	34				
				7	46	38	32	46	36	32	35	30				
				8	44	34	28	41	34	28	33	28				
				9	40	32	26	40	30	26	30	26				
				10	38	28	23	36	28	23	28	23				

Comparative yearly lighting energy cost per 1000 lumens – \$3.53 based on 3000 hrs. and \$.08 pwr KWH.

The photometric results were obtained in the Day-Brite laboratory which is NVLAP accredited by the National Institute of Standards and Technology.

# 1TG8 TG8 troffer 1x4

T5, T5HO, T8

## Photometry

### TG8 troffer 1x4 3 Lamp T8

Efficiency – 62.1%

LER – 62

TER – 56

		Candlepower				Light Distribution				Average Luminance				
Catalog No.	1TG8332-01	Angle	End	45	Cross	Degrees	Lumens	% Lamp	% Luminaire	Angle	End	45'	Cross	
Test No.	33911	0	2377	2377	2377	0-30	1865	20.1	32.3	45	7030	6656	6010	
S/MH	1.2	5	2364	2366	2368	0-40	3028	32.6	52.4	55	5729	5141	4294	
Lamp Type	F32T8	15	2287	2299	2294	0-60	4924	52.9	85.3	65	4230	3536	3144	
Lumens/Lamp	3100	25	2118	2122	2119	0-90	5778	62.1	100	75	3711	2704	2519	
Ballast Factor	.83	35	1844	1835	1788									
Input Watts	77	45	1468	1390	1255									
		55	970	871	727									
		65	528	441	392									
		75	284	207	193									
		85	132	78	48									
Comparative yearly lighting energy cost per 1000 lumens – <b>\$3.87</b> based on 3000 hrs. and \$.08 pwr KWH.														
The photometric results were obtained in the Day-Brite laboratory which is NVLAP accredited by the National Institute of Standards and Technology.														
		Coefficients of Utilization												
		Effective Floor Cavity Reflectance 20 Per (Pfc=0.20)												
		pcc	80			70			50					
		pw	70	50	30	70	50	30	50	30				
		RCR												
		0	73	73	73	71	71	71	68	68				
		1	68	65	63	66	64	61	60	58				
		2	61	57	54	60	56	53	54	51				
		3	56	51	46	56	50	46	48	45				
		4	53	46	40	51	45	40	44	39				
		5	48	40	35	47	40	35	39	34				
		6	45	36	32	44	36	32	35	30				
		7	41	34	28	40	34	28	33	28				
		8	39	30	26	38	30	26	29	26				
		9	36	28	23	35	28	23	28	23				
		10	34	27	22	34	26	22	26	20				



Some luminaires use fluorescent or high intensity discharge (HID) lamps that contain small amounts of mercury. Such lamps are labeled, "Contain Mercury" and/or the symbol "HG". Lamps that contain mercury must be disposed of in accordance with local requirements. Information regarding lamp recycling and disposal can be found at [www.lamprecycle.org](http://www.lamprecycle.org)

