



Calculite LED 4" generation 3 features industry leading visual comfort and excellent uniform illumination over time.

Project: \_\_\_\_\_  
 Location: \_\_\_\_\_  
 Cat.No: \_\_\_\_\_  
 Type: \_\_\_\_\_  
 Lamps: \_\_\_\_\_ Qty: \_\_\_\_\_  
 Notes: \_\_\_\_\_

**Standard luminaire:** Order without BAC option code.

**Buy American Act of 1933 (BAA)<sup>5</sup> Compliant luminaire:** Order with BAC option code.

### Fixture

**standard example:** C4SDL15835MZ10UCCW **BAC example:** C4SDL15835MZ10UCCW-BAC

Series	Mounts	Styles	Lumens	CRI	CCT (K)	Beams	Dimming	Voltage	Reflector finish	Cylinder finish	Buy American
<b>C4</b>											
C4 Calculite LED 4"	S Surface W Wall P Pendant <sup>1</sup>	DL Downlight	05 500	8 80	27 2700	N Narrow M Medium W Wide <sup>2</sup>	Z10 0-10V 1%  ELV ELV <sup>3</sup> (120V only dimming) SOL EldoLED Solo 0-10v 0.1%	U Universal 120V/277V  1 120V	CL Specular clear	W White (matte)	BAC Meets requirements of the Buy American Act of 1933 (BAA) <sup>5</sup>
		WW Wall Wash <sup>2</sup>	10 1000	9 90	30 3000				CC Comfort clear	B Black (matte)	
		DW Double Wall Wash <sup>2</sup>	15 1500	35 3500	40 4000				CD Comfort clear diffuse	A Aluminum	
			20 2000						CZ Champagne bronze	RAL RAL Color <sup>4</sup> (standard code)	
			25 2500						BK Black (matte)		
	30 3000										

### Pendant accessories (field adjustable)<sup>1</sup> example: CASK36BK

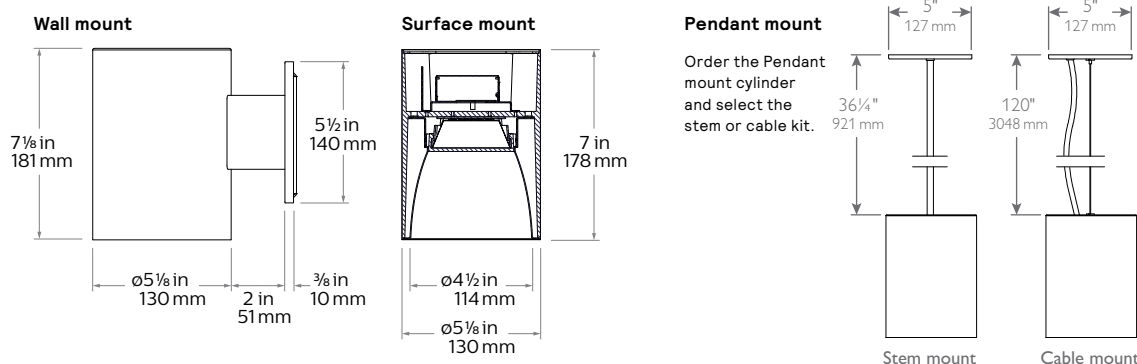
Series	Mounts	Length	Finish
<b>CA</b>			
CA Calculite Accessory	SK Stem Kit	36 36 inches	WH White (matte)
		48 48 inches	BK Black (matte)
		60 60 inches	AL Aluminum
		72 72 inches	RAL RAL Color <sup>4</sup> (standard code)
CK Cable Kit	10 120 inches	WH White (matte)	
		BK Black (matte)	
		AL Aluminum	
		RAL RAL Color <sup>4,6</sup> (standard code)	

### Accessories (not currently BAA-compliant)

**SBA** Interact Ready System Bridge Accessory  
 (refer to Philips System Bridge Accessory spec sheet for options and details)<sup>7</sup>

- Pendant (P) option needs to be ordered with an accessory.
  - Wall Wash (WW) and Double Wall Wash (DW) are only available with Wide (W) beam.
  - ELV (ELV) dimming is not compatible with 500lm (05) configurations and is only compatible with up to 2000lm (20) configurations.
  - RAL standard colors can be specified upon request. Add RAL standard code to (RALxxxx).
  - Failure to properly select the "BAC" suffix could result in you receiving product that is not BAA compliant product with no recourse for an RMA or refund. This BAC designation hereunder does not address (i) the applicability of, or availability of a waiver under, the Trade Agreements Act, or (ii) the "Buy America" domestic content requirements imposed on states, localities, and other non-federal entities as a condition of receiving funds administered by the Department of Transportation or other federal agencies.
  - RAL cable canopy kit will be with black cord.
  - Requires IRT9015 IR remote & Interact Pro App for commissioning.
- Note:** Consult factory for Wood ceiling installation.

### Dimensions



# C4 Calculite LED 4" gen 3

## Cylinder

### Cylinder

**Cylinder housing:** Cast aluminum, available for installation onto a 3" or 4" junction box, stem, cable, or wall mounted.

**Surface mounting (C4S):** Mounts directly to junction box. Listed for wet location use.

**Pendant mounting (C4P):** Order with the stem or cable kit. Listed for damp location use.

**Wall Mounting (C4W):** Pre-attached hardware allows for simple installation into wall mounted junction box. Listed for damp location use.

### Pendant accessories (damp location rated)

**Stem mounting kit:** 0.375" diameter steel stem (1/8" National Pipe Thread, can be field cut to required length. 5-wire conductor cable runs alongside of stem for power and dimming. Magnetic attachment of canopy to junction box provides clean look free of hardware. Self-aligning swivel mounting system ensures cylinder hangs straight down. Stem can be cut in field for length adjustment. A 1/8" hole is required to reconnect the pendant stem to the canopy swivel. Swivel accommodates maximum 45° pitch.

**Cable mounting kit:** 10' long steel cable with 5-wire cable for power and dimming. Hardware free canopy for clean aesthetics.

### Drivers

- Advance 0-10V 1% dimming
- EldoLED Solo 0.1% dimming
- ELV dimming

### Optical systems

**Comfort throughout the space:** Patented optical system combines primary and secondary optics to provide a true 50° physical cutoff and 45° reflected cutoff virtually eliminating the view of the light source and bright spots in the reflector. A new reflector curve reduces reflector brightness by up to 50% compared to existing products, allowing for the use of higher lumen packages in smaller apertures without creating bright spots in the ceiling.

**Quality of light:** 2 SDCM ensures color consistency from fixture to fixture and over the luminaire's long lifetime. Proprietary optical grade silicone lens with patterned surface provides soft, even beam diffusion without hotspots or dark rings.

### ENERGY STAR® exceptions

- 90 CRI configurations
- Champagne Bronze and Black finishes
- EldoLED Solo drivers

### Labels and Listings

- cULus listed for wet locations (surface mount)
- cULus listed for damp locations (wall and pendant mount)
- ENERGY STAR® certified
- RoHS certified

### Warranty

5 year warranty on complete system.



Complete warranty available at:  
[http://images.philips.com/is/content/PhilipsConsumer/PDFDownloads/United%20States/ODL20150930\\_003-UPD-en\\_US-Philips-warranty-indoor-PLS-us.pdf](http://images.philips.com/is/content/PhilipsConsumer/PDFDownloads/United%20States/ODL20150930_003-UPD-en_US-Philips-warranty-indoor-PLS-us.pdf)

### Narrow (0-10V)

Lumen package	Input volts	Input freq	Input current	Drive current	Input power	THD power	Power factor
500lm	120V	50/60Hz	0.05	110 mA	6W	<20%	>0.95
	277V		0.03			<20%	>0.90
1000lm	120V	50/60Hz	0.08	230 mA	11W	<15%	>0.95
	277V		0.04			<20%	>0.95
1500lm	120V	50/60Hz	0.12	360 mA	16W	<10%	>0.95
	277V		0.06			<15%	>0.95
2000lm	120V	50/60Hz	0.17	490 mA	21W	<10%	>0.95
	277V		0.08			<15%	>0.95
2500lm	120V	50/60Hz	0.22	640 mA	27W	<10%	>0.95
	277V		0.10			<15%	>0.95
3000lm	120V	50/60Hz	0.27	790 mA	33W	<10%	>0.95
	277V		0.13			<15%	>0.95

### Medium/Wide (0-10V)

Lumen package	Input volts	Input freq	Input current	Drive current	Input power	THD power	Power factor
500lm	120V	50/60Hz	0.05	110 mA	6W	<20%	>0.95
	277V		0.03			<20%	>0.90
1000lm	120V	50/60Hz	0.08	230 mA	11W	<15%	>0.95
	277V		0.04			<20%	>0.95
1500lm	120V	50/60Hz	0.12	350 mA	16W	<10%	>0.95
	277V		0.06			<15%	>0.95
2000lm	120V	50/60Hz	0.16	470 mA	21W	<10%	>0.95
	277V		0.08			<15%	>0.95
2500lm	120V	50/60Hz	0.21	610 mA	25W	<10%	>0.95
	277V		0.09			<15%	>0.95
3000lm	120V	50/60Hz	0.26	770 mA	31W	<10%	>0.95
	277V		0.12			<15%	>0.95

### Lifetime (TM-21) data

Lumens	Narrow beam	Medium/Wide beam
500lm	L90 @ 60,000 hrs.	L90 @ 60,000 hrs.
1000lm		
1500lm		
2000lm	L90 @ 60,000hrs.	L85 @ 60,000hrs.
2500lm		
3000lm		

### Reflector

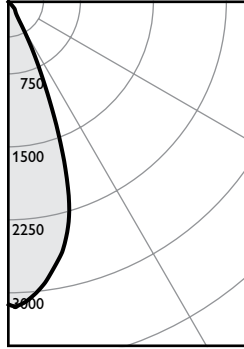


# C4 Calculite LED 4" gen 3

## Cylinder

### Narrow beam, 1500lm Engine, 103.8 lm/W

#### Candela Curve



Cylinder: **C4SDL15835NZ10UCLW**

Output lumens: 1526 lms  
 Input watts: 14.7 W  
 CRI: 80 min  
 CCT<sup>1</sup>: 3500K  
 Spacing Crit.: 0.6  
 Beam Angle: 43°

#### Zonal summary

Zone	Lumens	%Luminaire
0-30	1354	88.7%
0-40	1469	96.3%
0-60	1526	100.0%
0-90	1526	100.0%

Angle	Mean CP	Lumens
0	3112	
5	3044	282
10	2785	
15	2410	652
20	1672	
25	837	420
30	324	
35	163	115
40	128	
45	77	57
50	0	
55	0	0
60	0	
65	0	0
70	0	
75	0	0
80	0	
85	0	0
90	0	

#### Single unit data

Height to lighted plane	Initial center beam foot-candles	Beam diameter (ft)*
5'	124	3.0'
6'	86	3.6'
7'	64	4.2'
8'	49	4.8'
9'	38	5.4'

\* Beam diameter is where foot-candles drop to 50% of maximum.

#### Multiple unit data - RCR 2

Spacing on center	Initial center beam foot-candles	Watts per sq. ft.
5'	71.3	0.65
6'	46.8	0.43
7'	33.4	0.31
8'	27.8	0.25
9'	22.3	0.20

38' x 38' x 10' Room, Workplane 2.5' above floor, 80/50/20% Reflectances

Efficacy: **103.8 lm/w**  
 Report#: T20161390

#### Adjustment factors

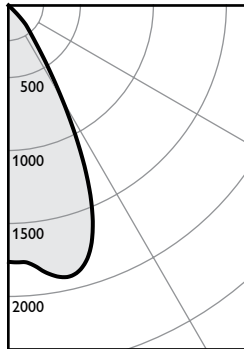
Finish	CCT	Lumens
CL = 100%	80CRI 4000K = 107%	3000lm = 200%
CC = 95%	80CRI 3500K = 100%	2500lm = 167%
CD = 87%	80CRI 3000K = 99%	2000lm = 133%
CZ = 63%	80CRI 2700K = 93%	1500lm = 100%
WH = 87%	90CRI 3000K = 87%	1000lm = 67%
BK = 57%	90CRI 2700K = 81%	500lm = 33%

#### Coefficients of utilization

Ceiling	80%				70%				50%				30%				0%
	70	50	30	10	50	10	50	10	50	10	50	10	50	10	50	10	0
Wall	70	50	30	10	50	10	50	10	50	10	50	10	50	10	50	10	0
RCR	Zonal cavity method - Effective floor reflectance = 20%																
Room Cavity Ratio	0	119	119	119	119	116	116	111	111	106	106	100	106	106	100	106	100
	1	114	112	110	108	110	106	106	103	102	100	95	102	100	95	102	95
	2	110	106	102	99	104	98	101	96	98	94	91	98	94	91	98	91
	3	105	100	96	92	99	92	96	90	94	89	86	94	89	86	94	86
	4	101	95	90	87	94	86	92	85	90	84	82	90	84	82	90	82
	5	97	90	85	82	89	81	88	81	86	80	78	86	80	78	86	78
	6	93	86	81	77	85	77	84	77	83	76	74	83	76	74	83	74
	7	90	82	77	74	81	73	80	73	79	73	71	79	73	71	79	71
	8	86	79	74	70	78	70	77	70	76	69	68	76	69	68	76	68
	9	83	75	70	67	75	67	74	67	73	66	65	73	66	65	73	65
	10	80	72	67	64	72	64	71	64	70	64	62	70	64	62	70	62

### Medium beam, 1500lm Engine, 114.6 lm/W

#### Candela Curve



Cylinder: **C4SDL15835MZ10UCLW**

Output lumens: 1627 lms  
 Input watts: 14.2 W  
 CRI: 80 min  
 CCT<sup>1</sup>: 3500K  
 Spacing Crit.: 0.9  
 Beam Angle: 56°

#### Zonal summary

Zone	Lumens	%Luminaire
0-30	1269	78.0%
0-40	1537	94.5%
0-60	1627	100.0%
0-90	1627	100.0%

Angle	Mean CP	Lumens
0	1760	
5	1783	174
10	1886	
15	1887	524
20	1702	
25	1283	572
30	762	
35	406	268
40	236	
45	116	89
50	14	
55	0	1
60	0	
65	0	0
70	0	
75	0	0
80	0	
85	0	0
90	0	

#### Single unit data

Height to lighted plane	Initial center beam foot-candles	Beam diameter (ft)*
5'	70	4.5'
6'	49	5.4'
7'	36	6.3'
8'	28	7.2'
9'	22	8.1'

\* Beam diameter is where foot-candles drop to 50% of maximum.

#### Multiple unit data - RCR 2

Spacing on center	Initial center beam foot-candles	Watts per sq. ft.
5'	74.8	0.63
6'	49.1	0.41
7'	35.0	0.30
8'	29.2	0.25
9'	23.4	0.20

38' x 38' x 10' Room, Workplane 2.5' above floor, 80/50/20% Reflectances

Efficacy: **114.6 lm/w**  
 Report#: T20161397

#### Adjustment factors

Finish	CCT	Lumens
CL = 100%	80CRI 4000K = 102%	3000lm = 200%
CC = 95%	80CRI 3500K = 100%	2500lm = 167%
CD = 87%	80CRI 3000K = 97%	2000lm = 133%
CZ = 63%	80CRI 2700K = 87%	1500lm = 100%
WH = 87%	90CRI 3000K = 77%	1000lm = 67%
BK = 57%	90CRI 2700K = 73%	500lm = 33%

#### Coefficients of utilization

Ceiling	80%				70%				50%				30%				0%
	70	50	30	10	50	10	50	10	50	10	50	10	50	10	50	10	0
Wall	70	50	30	10	50	10	50	10	50	10	50	10	50	10	50	10	0
RCR	Zonal cavity method - Effective floor reflectance = 20%																
Room Cavity Ratio	0	119	119	119	119	116	116	111	111	106	106	100	106	106	100	106	100
	1	114	111	109	107	109	105	105	102	101	99	94	101	99	94	101	99
	2	108	104	100	97	102	96	99	94	96	92	88	96	92	88	96	92
	3	103	97	93	89	96	88	93	87	91	85	82	91	85	82	91	85
	4	98	91	86	82	90	81	88	81	86	80	77	86	80	77	86	77
	5	94	86	80	76	85	76	83	75	81	74	72	81	74	72	81	72
	6	89	81	75	71	80	71	79	70	77	70	68	77	70	68	77	68
	7	85	76	70	66	76	66	74	66	73	66	64	73	66	64	73	64
	8	81	72	66	62	71	62	70	62	69	62	60	69	62	60	69	60
	9	77	68	63	59	68	59	67	58	66	58	57	66	58	57	66	57
	10	74	65	59	55	64	55	63	55	63	55	54	63	55	54	63	54

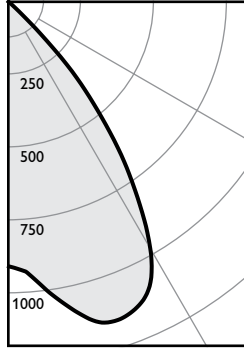
1. Correlated Color Temperature within specs as defined in ANSI\_NEMA\_ANSLG C78.377-2008: Specifications for the Chromaticity of Solid State Lighting Products.  
 2. Tested using absolute photometry as specified in LM79: IESNA Approved Method for the Electrical and Photometric Measurements of Solid-State Lighting Products.

# C4 Calculite LED 4" gen 3

## Cylinder

### Wide beam, 1500lm Engine, 106.6 lm/W

#### Candela Curve



Cylinder: C4SDL15835WZ10UCLW

Output lumens: 1517 lms  
 Input watts: 14.2 W  
 CRI: 80 min  
 CCT: 3500K  
 Spacing Crit.: 1.2  
 Beam Angle: 76°

#### Zonal summary

Zone	Lumens	%Luminaire
0-30	918	60.5%
0-40	1368	90.2%
0-60	1517	100.0%
0-90	1517	100.0%

Angle	Mean CP	Lumens
0	906	
5	945	93
10	1040	
15	1128	318
20	1153	
25	1114	506
30	978	
35	732	450
40	460	
45	175	148
50	18	
55	0	2
60	0	
65	0	0
70	0	
75	0	0
80	0	
85	0	0
90	0	

#### Single unit data

Height to lighted plane	Initial center beam foot-candles	Beam diameter (ft)*
5'	36	6.0'
6'	25	7.2'
7'	18	8.4'
8'	14	9.6'
9'	11	10.8'

\* Beam diameter is where foot-candles drop to 50% of maximum.

#### Multiple unit data - RCR 2

Spacing on center	Initial center beam foot-candles	Watts per sq. ft.
5'	68.5	0.63
6'	45.0	0.41
7'	32.1	0.30
8'	26.8	0.25
9'	21.4	0.20

38' x 38' x 10' Room, Workplane 2.5' above floor, 80/50/20% Reflectances

Efficacy: 106.6 lm/w  
 Report#: T20161406

#### Adjustment factors

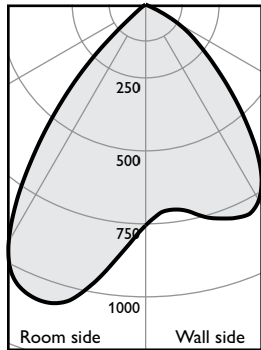
Finish	CCT	Lumens
CL = 100%	80CRI 4000K = 102%	3000lm = 200%
CC = 95%	80CRI 3500K = 100%	2500lm = 167%
CD = 87%	80CRI 3000K = 97%	2000lm = 133%
CZ = 63%	80CRI 2700K = 87%	1500lm = 100%
WH = 87%	90CRI 3000K = 77%	1000lm = 67%
BK = 57%	90CRI 2700K = 73%	500lm = 33%

#### Coefficients of utilization

Ceiling	80%		70%		50%		30%		0%			
	70	50	30	10	50	10	50	10	50	10		
Wall	70	50	30	10	50	10	50	10	50	10		
RCR	Zonal cavity method - Effective floor reflectance = 20%											
Room Cavity Ratio	0	119	119	119	119	116	116	111	111	106	106	100
1	113	110	108	105	108	104	104	100	100	100	97	93
2	107	102	98	94	100	93	97	91	94	89	86	86
3	101	94	89	85	93	84	90	83	88	81	79	79
4	96	87	82	77	86	77	84	76	82	75	72	72
5	90	81	75	70	80	70	78	69	77	69	66	66
6	85	75	69	64	75	64	73	64	72	63	61	61
7	80	70	64	59	69	59	68	59	67	58	56	56
8	76	65	59	55	65	54	64	54	63	54	52	52
9	72	61	55	50	61	50	60	50	59	50	48	48
10	68	57	51	47	57	47	56	47	55	46	45	45

### Wall Wash, 1500lm Engine, 102.8 lm/W

#### Candela Curve



Cylinder: C4SWW15835WZ10UCLW

Output lumens: 1465 lms  
 Input watts: 14.3 W  
 CRI: 80 min  
 CCT: 3500K

Efficacy: 102.8 lm/w  
 Report#: T20161408

#### Multiple unit data

Footcandles on wall	2' from wall			
	3' on ctr.	3' on ctr.	3' on ctr.	3' on ctr.
1	3	2	3	3
2	38	21	38	38
3	37	36	37	37
4	30	32	30	30
5	23	25	23	23
6	19	19	19	19
7	15	15	15	15
8	13	13	13	13
9	11	11	11	11
10	10	10	10	10
12	8	8	8	8
14	7	7	7	7

#### Multiple unit data

Footcandles on wall	3' from wall			
	3' on ctr.	3' on ctr.	3' on ctr.	3' on ctr.
1	2	2	2	2
2	2	2	2	2
3	21	19	21	21
4	24	25	24	24
5	24	25	24	24
6	21	22	21	21
7	18	19	18	18
8	16	16	16	16
9	14	14	14	14
10	12	12	12	12
12	10	10	10	10
14	9	8	9	9

#### Multiple unit data

Footcandles on wall	3' from wall			
	4' on ctr.	4' on ctr.	4' on ctr.	4' on ctr.
1	2	2	2	2
2	2	2	2	2
3	18	16	18	18
4	20	19	20	20
5	18	19	18	18
6	16	17	16	16
7	14	15	14	14
8	12	12	12	12
9	11	11	11	11
10	9	10	9	9
12	8	8	8	8
14	7	7	7	7

#### Adjustment factors

Finish	CCT	Lumens
CL = 100%	80CRI 4000K = 102%	3000lm = 200%
CC = 95%	80CRI 3500K = 100%	2500lm = 167%
CD = 87%	80CRI 3000K = 97%	2000lm = 133%
CZ = 63%	80CRI 2700K = 87%	1500lm = 100%
WH = 87%	90CRI 3000K = 77%	1000lm = 67%
BK = 57%	90CRI 2700K = 73%	500lm = 33%

1. Correlated Color Temperature within specs as defined in ANSI\_NEMA\_ANSI C78.377-2008: Specifications for the Chromaticity of Solid State Lighting Products.
2. Tested using absolute photometry as specified in LM79: IESNA Approved Method for the Electrical and Photometric Measurements of Solid-State Lighting Products.

