

**Gardco SRA Straight Round Aluminum pole** consists of a single piece of extruded 6000 series aluminum providing excellent strength and integrity. The poles are finished with an electrostatically applied, thermally cured polyester powdercoat. All poles include base cover, hand hole, ground lug and top cap. Anchor bolts and templates are ordered as a separate accessory.

Project: \_\_\_\_\_  
 Location: \_\_\_\_\_  
 Cat.No: \_\_\_\_\_  
 Type: \_\_\_\_\_  
 Notes: \_\_\_\_\_

### Ordering guide

**example:** SRA-CA-4-125-12-D3-DT5-BZ

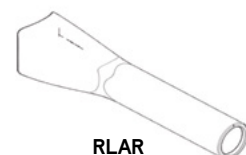
Family	Base <sup>3</sup>	Pole Dia. (in.)	Wall Thickness (in.)	Height <sup>4</sup>	Drilling / Tenon Configuration <sup>1</sup>	Drilling Template <sup>2</sup>	Finish	Options <sup>3</sup>
<b>SRA</b>								
SRA Straight Round Aluminum	CA Cast Aluminum Base (max 20' height)	4	125 0.125"	10	<b>Drilling</b>		BK Black BZ Bronze WH White DG Dark Grey MG Medium Grey GY3 Light Grey, Smooth SSDGY SolarForm Dark Grey (RAL7011) OC Optional Color Paint (ex: RAL7024) SC <sup>5</sup> Special/Custom Color (Specify, must supply color chip)	FES <sup>5</sup> Festoon Outlet VDA <sup>6</sup> Vibration Dampener AHH <sup>5</sup> Additional Hand Hole DR <sup>5</sup> Duplex Recepticle GFI <sup>5</sup> DR with GFI (120V only) VPA Vandalproof Screws CL1/2 <sup>5</sup> Coupling 1/2" CL3/4 <sup>5</sup> Coupling 3/4" CL1 <sup>5</sup> Coupling 1" CL1-1/4 <sup>5</sup> Coupling 1-1/4" CL1-1/2 <sup>5</sup> Coupling 1-1/2" NL1/2 <sup>5</sup> Nipple 1/2" NL3/4 <sup>5</sup> Nipple 3/4" NL1 <sup>5</sup> Nipple 1" NL1-1/4 <sup>5</sup> Nipple 1-1/4" NL1-1/2 <sup>5</sup> Nipple 1-1/2"
			188 0.188"	12	D1 1 Way	DT1 Drill Template 1		
				15	D1@180 1 Way @ 180	DT2 Drill Template 2		
				16	D2 2 Way @ 180	DT3 Drill Template 3		
				18	D2@90 2 Way @ 90	DT4 Drill Template 4		
				20	D3 3 Way @ 90	DT5 Drill Template 5		
	HB Hinged Base (max 16', 0.125" only) STB Steel Tenon Base	5	125 0.125" 188 0.188"	15 16 18 20 25 30	<b>Tenons</b>		[DTX-xxx] <sup>7</sup> Custom Template (see drill template chart for details) N No Template (for Tenon and Plain Top Options) P Plain Top	
					T2D4L 2 3/4" OD x 4"	N		
					T2D6L 2 3/4" OD x 6"			
					T3D4L 3" OD x 4"			
					T4D6L 4" OD x 6"			
					<b>No Drilling/Tenon</b>			

- See Drilling Configurations on Page 2.
- See Luminaire Drilling Templates on Page 2.
- Not all options available with all configurations. Consult factory for more details.
- Pole heights can be cut to length. Specify as a whole number in ft. (ex. 11, 13) or to the inch as a decimal (ex. 15.33 = 15' 4")
- Option must be specified by the customer before order release. FES, DR, GFI, AHH options typically must be placed 12" away from standard hand hole (20" above base).
- VDA is required on all poles equal or greater than 25ft in height.
- Custom drill templates (DTX) require factory quote.

### Accessories

Service	Base & Pole Size	12NC	Description (Diameter x Length x Hook w/ Bolt Circle Template)
<b>Anchor Bolts + Templates</b>			
For standard shipment with the pole (order 1 per pole)	CA & 4", 5"	912401613963	AB 3/4x17x3-G DEC w/ 9 BC ABT
	HB & 4"	912401597399	AB 3/4x17x3-G DEC w/ 8.5 BC ABT
	HB & 5"	912401613966	AB 3/4x17x3-G DEC w/ 10.5 BC ABT
	STB & 4"	912401613964	AB 3/4x17x3-G DEC w/ 7 BC ABT
	STB & 5"	912401613962	AB 1x33x3-G DEC w/ 10 BC ABT
For RapidShip or Pre-Ship service with the pole (order 1 per pole)	CA & 4", 5"	912401613958	AB 3/4x17x3-G DEC w/ 9 BC ABT-RS
	HB & 4"	912401597407	AB 3/4x17x3-G DEC w/ 8.5 BC ABT-RS
	HB & 5"	912401613961	AB 3/4x17x3-G DEC w/ 10.5 BC ABT-RS
	STB & 4"	912401613959	AB 3/4x17x3-G DEC w/ 7 BC ABT-RS
	STB & 5"	912401613957	AB 1x33x3-G DEC w/ 10 BC ABT-RS

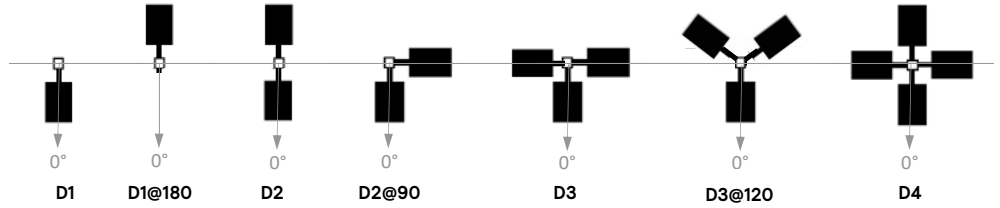
Part No.	Description
<b>Brackets</b>	
<b>RLAR-1A-R4@4.9-(finish) (for 4" poles)</b>	Cast Aluminum mounting arm, 15" long with DT6 drill pattern. (order 1 per luminaire). For use with Lumec Roadway and Gardco SolarForm luminaires. Specify finish to match pole.
<b>RLAR-1A-R5@6-(finish) (for 5" poles)</b>	



# Poles Straight Round Aluminum

## Drilling Configuration

Code	Description
D1	Single Luminaire
D1@180	Single Luminaire @ 180
D2	Two Luminaires @ 180
D2@90	Two Luminaires @ 90
D3	Three Luminaires @ 90
D3@120	Three Luminaires @ 120
D4	Four Luminaires @ 90

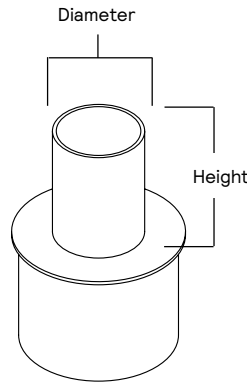


Ref. access door at 0° for all

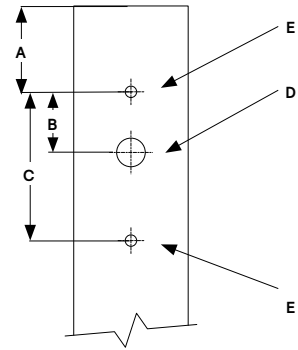
Legacy design places access door at 180°

## Tenon Dimensions

Tenon	Diameter	Height
T2D4L	2.375" (60mm)	4" (102mm)
T2D6L	2.375" (60mm)	6" (152mm)
T3D4L	3" (76mm)	4" (102mm)
T4D6L	4" (102mm)	6" (152mm)



## Pole Top Drilling

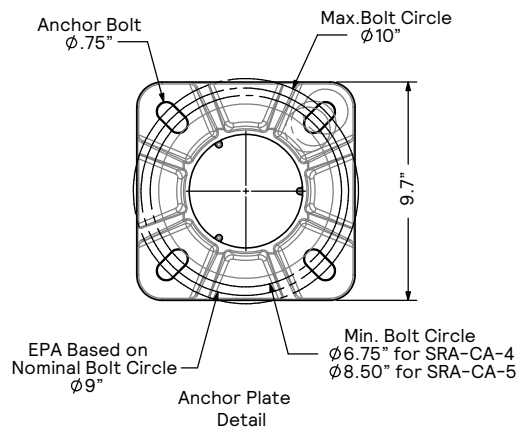
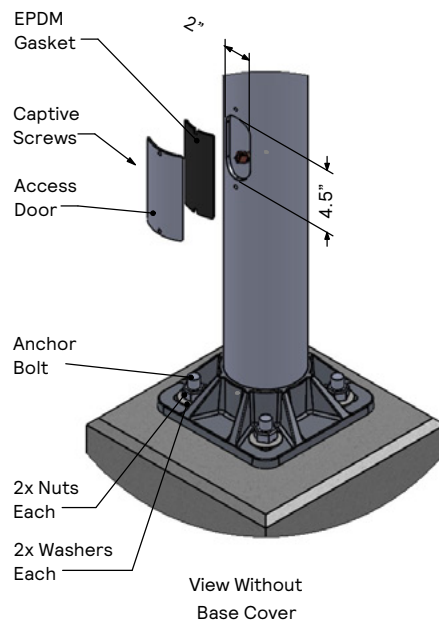
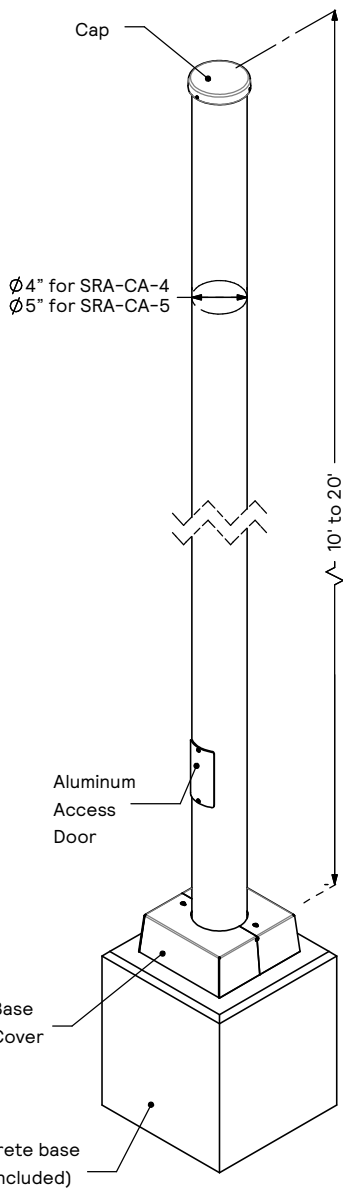
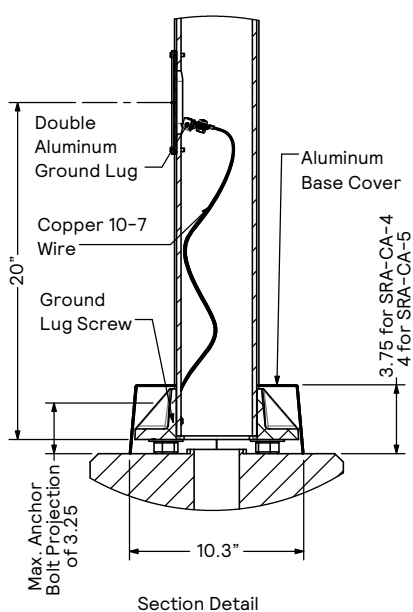
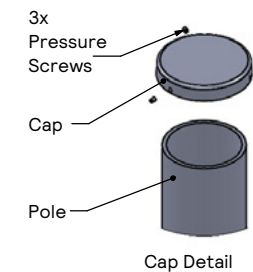


## Luminaire Drill Pattern

Code	Description	Luminaires	Pole Drilling				
			A To Pole Top	B	C Full Extent	D Wireway Hole	E Bolt Hole
DT1	Drill Template 1	Gardco SlenderForm Round SFRA	2.25" (57mm)	1.5" (38.1mm)	3" (76mm)	0.875" (22.2mm)	0.40" (10.2mm)
DT2	Drill Template 2	Gardco SlenderForm Square - SFA Gardco Gullwing - GL13, GL18 Gardco Form Ten - EH14L, EH19L, CAL17, CAL22, MAL17, MAL22	2.25" (57mm)	2.17" (55mm)	3.84" (98mm)	0.875" (22.2mm)	0.39" (9.9mm)
DT3	Drill Template 3	Gardco PowerForm PFAS	2.25" (57mm)	1.75" (44mm)	3.84" (98mm)	0.875" (22.2mm)	0.41" (10.4mm)
DT4	Drill Template 4	Gen1 Stonco/Keene AL150-G1, AL200-G1	2.5" (64mm)	1.7" (43mm)	3.5" (89mm)	0.875" (22.2mm)	0.41" (10.4mm)
DT5	Drill Template 5	Gardco EcoForm Gen2 - ECF-S, ECF-L Gardco PureForm Gen2 - P15, P20, P26, P34 OptiForm Small - OPF-S OptiForm Med - OPF-M OptiForm Large - OPF-L	3" (76mm)	1" (25mm)	3" (76mm)	1" (25mm)	0.41" (10.4mm)
DT6	Drill Template 6	Hole pattern drilled for the following: Gen2 Stonco/Keene AL70-G2 and AL150-G2, or to attach RLAR bracket accessory, suitable for use with: Lumec Capella CPLM, CPLS Lumec RoadStar GPLM, GPLS Lumec RoadFocus RFS, RFM, RFL Lumec RoadView RVM, RVS Lumec MiniView SVS Lumec StreetView SVM Gardco SolarForm BRP710	2.5" (64mm)	1" (25mm)	2" (50mm)	0.875" (22mm)	0.5" (12.7mm)

# Poles Straight Round Aluminum

## Dimensions and Specifications – Cast Aluminum Base



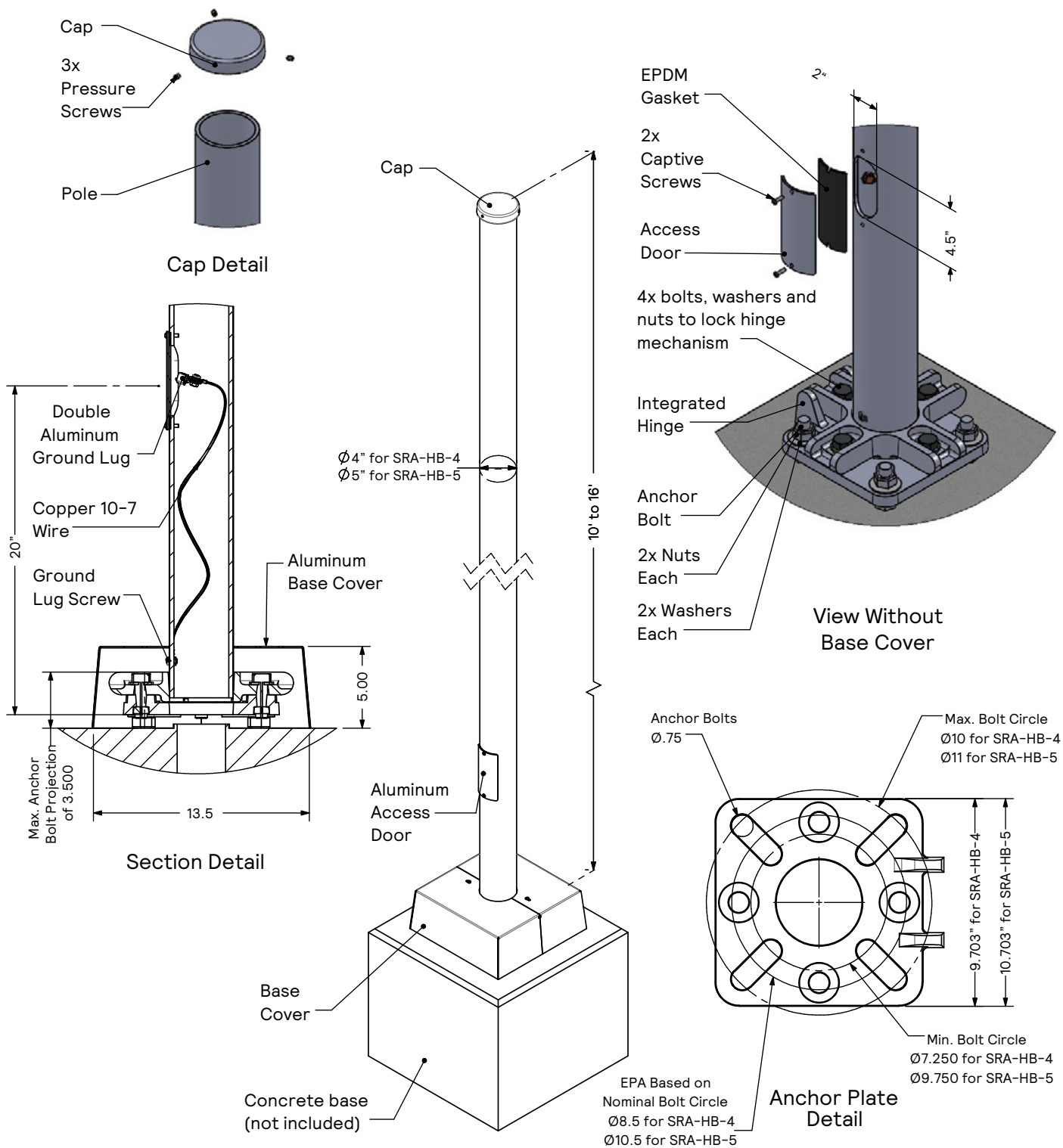
\* Anchor Bolt Lock Washers are not normally required and are not included in standard anchor bolt sets. They are available upon request at additional cost.

\*\* Grouting should include a drainage slot or tube (by others) to permit water to drain from the base of the pole. Failure to provide drainage may weaken the pole base structure over time and may result in pole base failure, for which Gardco is not responsible.

**NOTE:** Factory supplied template must be used when setting anchor bolts. Gardco will not honor any claim for incorrect anchorage placement from failure to use factory supplied templates.

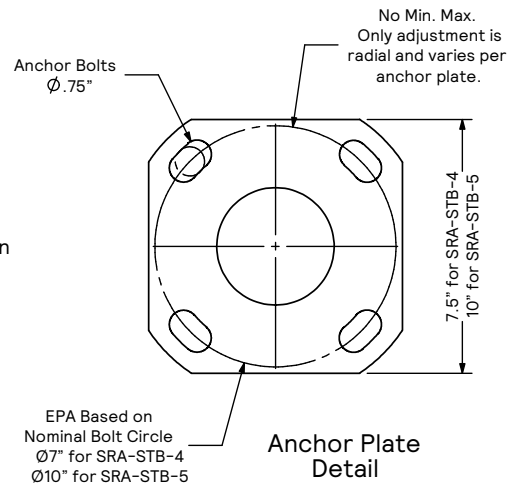
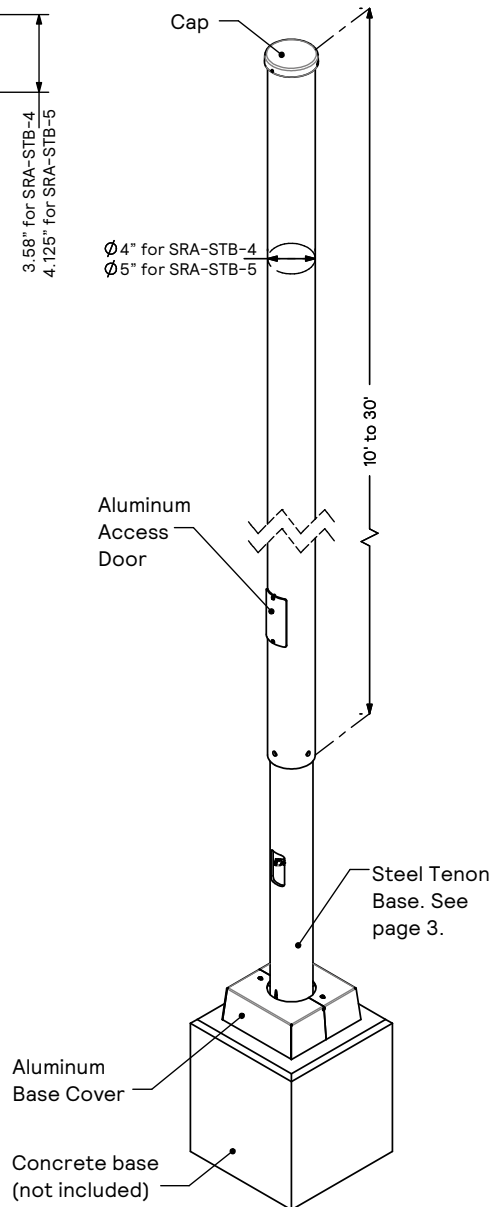
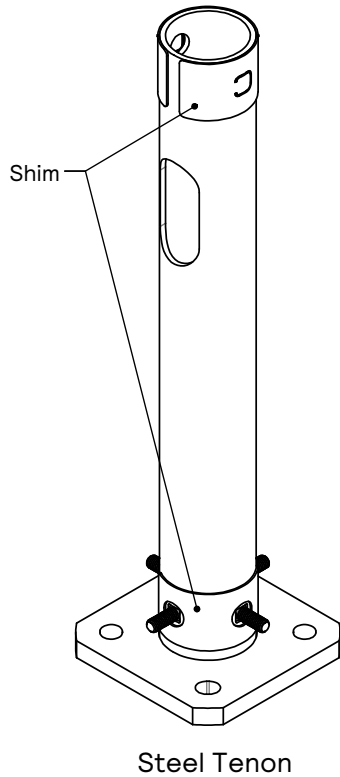
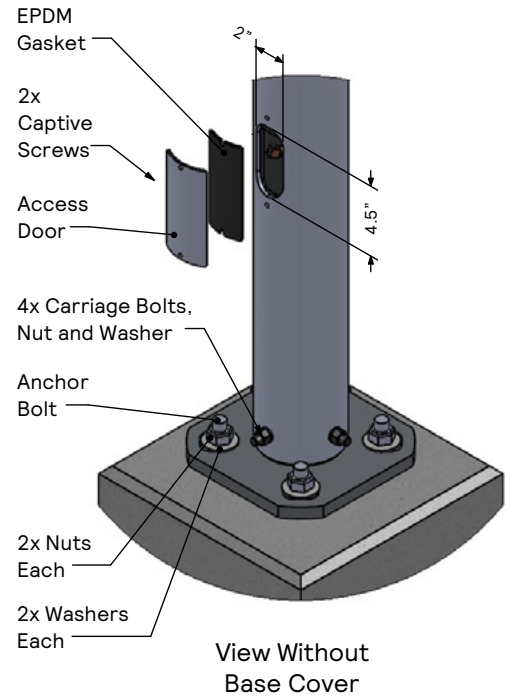
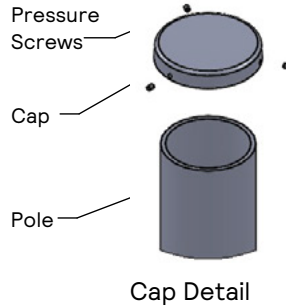
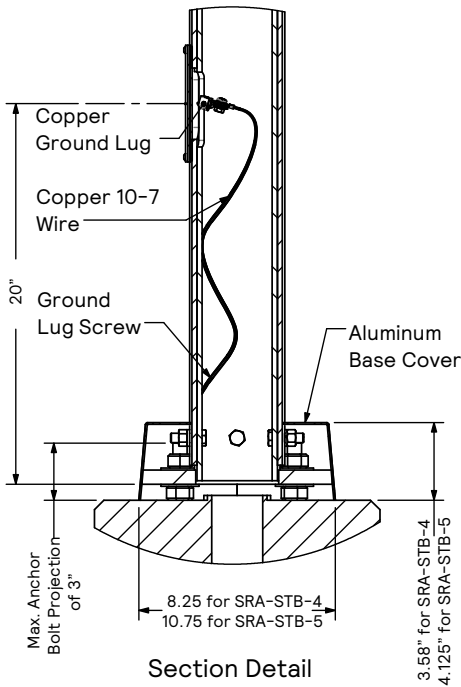
# Poles Straight Round Aluminum

## Dimensions and Specifications - Hinged Base



# Poles Straight Round Aluminum

## Dimensions and Specifications – Steel Tenon Base



# Poles Straight Round Aluminum

## Pole Data

Product Catalog Number	Pole Specs				Anchor Bolt Data				
	Pole Diameter (in.)	Wall Thickness (in.)	Height (ft.)	Pole Weight (lbs.)	Bolt Circle (in.) EPA Nominal	Bolt Circle (in.) Minimum	Bolt Circle (in.) Maximum	Anchor Bolt Spec (in.)	Anchor Bolt Max Proj. (in.)
SRA-CA-4-125-10	4	0.125	10	17	9	6.75	10	3/4 x 17 x 3	3.25
SRA-CA-4-125-12	4	0.125	12	20	9	6.75	10	3/4 x 17 x 3	3.25
SRA-CA-4-125-15	4	0.125	15	25	9	6.75	10	3/4 x 17 x 3	3.25
SRA-CA-4-125-16	4	0.125	16	27	9	6.75	10	3/4 x 17 x 3	3.25
SRA-CA-4-125-18	4	0.125	18	31	9	6.75	10	3/4 x 17 x 3	3.25
SRA-CA-4-125-20	4	0.125	20	34	9	6.75	10	3/4 x 17 x 3	3.25
SRA-CA-4-188-10	4	0.188	10	25	9	6.75	10	3/4 x 17 x 3	3.25
SRA-CA-4-188-12	4	0.188	12	30	9	6.75	10	3/4 x 17 x 3	3.25
SRA-CA-4-188-15	4	0.188	15	38	9	6.75	10	3/4 x 17 x 3	3.25
SRA-CA-4-188-16	4	0.188	16	40	9	6.75	10	3/4 x 17 x 3	3.25
SRA-CA-4-188-18	4	0.188	18	45	9	6.75	10	3/4 x 17 x 3	3.25
SRA-CA-4-188-20	4	0.188	20	50	9	6.75	10	3/4 x 17 x 3	3.25
SRA-CA-5-125-15	5	0.125	15	32	9	8.5	10	3/4 x 17 x 3	3.25
SRA-CA-5-125-16	5	0.125	16	34	9	8.5	10	3/4 x 17 x 3	3.25
SRA-CA-5-125-18	5	0.125	18	38	9	8.5	10	3/4 x 17 x 3	3.25
SRA-CA-5-125-20	5	0.125	20	42	9	8.5	10	3/4 x 17 x 3	3.25
SRA-CA-5-188-15	5	0.188	15	47	9	8.5	10	3/4 x 17 x 3	3.25
SRA-CA-5-188-16	5	0.188	16	50	9	8.5	10	3/4 x 17 x 3	3.25
SRA-CA-5-188-18	5	0.188	18	56	9	8.5	10	3/4 x 17 x 3	3.25
SRA-CA-5-188-20	5	0.188	20	63	9	8.5	10	3/4 x 17 x 3	3.25
SRA-HB-4-125-10	4	0.125	10	17	8.5	7.25	10	3/4 x 17 x 3	3.5
SRA-HB-4-125-12	4	0.125	12	20	8.5	7.25	10	3/4 x 17 x 3	3.5
SRA-HB-4-125-15	4	0.125	15	25	8.5	7.25	10	3/4 x 17 x 3	3.5
SRA-HB-4-125-16	4	0.125	16	27	8.5	7.25	10	3/4 x 17 x 3	3.5
SRA-HB-5-125-15	5	0.188	15	32	10.5	9.75	11	3/4 x 17 x 3	3.5
SRA-HB-5-125-16	5	0.188	16	34	10.5	9.75	11	3/4 x 17 x 3	3.5
SRA-STB-4-125-10	4	0.125	10	39	7	7	7	3/4 x 17 x 3	3
SRA-STB-4-125-12	4	0.125	12	45	7	7	7	3/4 x 17 x 3	3
SRA-STB-4-125-15	4	0.125	15	50	7	7	7	3/4 x 17 x 3	3
SRA-STB-4-125-16	4	0.125	16	54	7	7	7	3/4 x 17 x 3	3
SRA-STB-4-125-18	4	0.125	18	58	7	7	7	3/4 x 17 x 3	3
SRA-STB-4-125-20	4	0.125	20	62	7	7	7	3/4 x 17 x 3	3
SRA-STB-4-188-10	4	0.188	10	48	7	7	7	3/4 x 17 x 3	3
SRA-STB-4-188-12	4	0.188	12	55	7	7	7	3/4 x 17 x 3	3
SRA-STB-4-188-15	4	0.188	15	63	7	7	7	3/4 x 17 x 3	3
SRA-STB-4-188-16	4	0.188	16	68	7	7	7	3/4 x 17 x 3	3
SRA-STB-4-188-18	4	0.188	18	73	7	7	7	3/4 x 17 x 3	3
SRA-STB-4-188-20	4	0.188	20	79	7	7	7	3/4 x 17 x 3	3
SRA-STB-5-125-15	5	0.125	15	66	10	10	10	1 x 33 x 3	3
SRA-STB-5-125-16	5	0.125	16	72	10	10	10	1 x 33 x 3	3
SRA-STB-5-125-18	5	0.125	18	77	10	10	10	1 x 33 x 3	3
SRA-STB-5-125-20	5	0.125	20	81	10	10	10	1 x 33 x 3	3
SRA-STB-5-125-25	5	0.125	25	96	10	10	10	1 x 33 x 3	3
SRA-STB-5-125-30	5	0.125	30	111	10	10	10	1 x 33 x 3	3

# Poles Straight Round Aluminum

## Pole Data (Cont.)

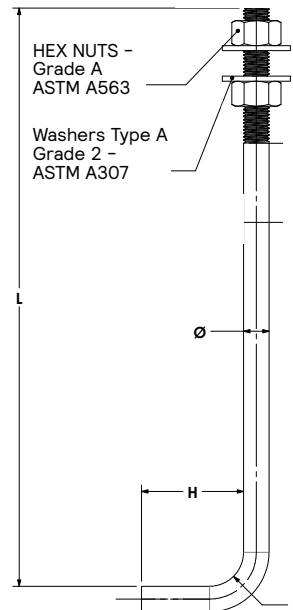
Product Catalog Number	Pole Diameter (in.)	Wall Thickness (in.)	Height (ft.)	Pole Weight (lbs.)	Bolt Circle (in.) EPA Nominal	Bolt Circle (in.) Minimum	Bolt Circle (in.) Maximum	Anchor Bolt Spec (in.)	Anchor Bolt Max Proj. (in.)
SRA-STB-5-188-15	5	0.188	15	82	10	10	10	1 x 33 x 3	3
SRA-STB-5-188-16	5	0.188	16	89	10	10	10	1 x 33 x 3	3
SRA-STB-5-188-18	5	0.188	18	96	10	10	10	1 x 33 x 3	3
SRA-STB-5-188-20	5	0.188	20	103	10	10	10	1 x 33 x 3	3
SRA-STB-5-188-25	5	0.188	25	123	10	10	10	1 x 33 x 3	3
SRA-STB-5-188-30	5	0.188	30	144	10	10	10	1 x 33 x 3	3

## EPA Table

Product Catalog Number	AASHTO 2001 - EPA ft <sup>2</sup>					
	80 MPH	90 MPH	100 MPH	110 MPH	120 MPH	130 MPH
SRA-CA-4-125-10	8.81	6.67	5.13	4.00	3.17	2.64
SRA-CA-4-125-12	6.87	5.08	3.80	2.82	2.13	1.75
SRA-CA-4-125-15	4.71	3.27	2.22	1.47	0.94	0.70
SRA-CA-4-125-16	4.05	2.77	1.80	1.06	0.61	0.39
SRA-CA-4-125-18	3.00	1.83	0.98	0.37	N/A	N/A
SRA-CA-4-125-20	2.06	1.03	0.28	N/A	N/A	N/A
SRA-CA-4-188-10	13.51	10.39	8.14	6.49	5.26	4.41
SRA-CA-4-188-12	10.85	8.19	6.32	4.93	3.92	3.26
SRA-CA-4-188-15	7.86	5.82	4.29	3.17	2.39	1.92
SRA-CA-4-188-16	6.59	4.79	3.54	2.60	1.94	1.56
SRA-CA-4-188-18	5.13	3.74	2.67	1.76	1.14	0.86
SRA-CA-4-188-20	4.17	2.86	1.78	0.98	0.44	0.23
SRA-CA-5-125-15	8.19	5.90	4.46	3.54	2.86	2.34
SRA-CA-5-125-16	7.32	5.18	3.85	3.02	2.41	1.97
SRA-CA-5-125-18	5.68	3.80	2.72	2.06	1.59	1.22
SRA-CA-5-125-20	4.29	2.64	1.73	1.22	0.89	0.65
SRA-CA-5-188-15	13.31	9.94	7.74	6.26	5.13	4.29
SRA-CA-5-188-16	12.14	8.98	6.92	5.57	4.55	3.77
SRA-CA-5-188-18	9.86	7.11	5.37	4.29	3.47	2.83
SRA-CA-5-188-20	8.00	5.58	4.10	3.21	2.55	2.06
SRA-HB-4-125-10	8.81	6.67	5.13	4.00	3.17	2.64
SRA-HB-4-125-12	6.87	5.08	3.80	2.82	2.13	1.75
SRA-HB-4-125-15	4.71	3.27	2.22	1.47	0.94	0.70
SRA-HB-4-125-16	4.05	2.77	1.80	1.06	0.61	0.39
SRA-HB-5-125-15	8.19	5.90	4.46	3.54	2.86	2.34
SRA-HB-5-125-16	7.32	5.18	3.85	3.02	2.41	1.97
SRA-STB-4-125-10	25.00	19.50	15.50	12.60	10.45	8.85
SRA-STB-4-125-12	20.78	16.15	12.83	10.39	8.57	7.24
SRA-STB-4-125-15	10.72	8.12	6.27	4.89	3.88	3.24
SRA-STB-4-125-16	10.72	8.11	6.25	4.88	3.88	3.24
SRA-STB-4-125-18	7.69	5.83	4.51	3.53	2.81	2.35
SRA-STB-4-125-20	5.88	4.47	3.49	2.75	2.22	1.83
SRA-STB-4-188-10	34.06	26.58	21.21	17.26	14.28	12.08
SRA-STB-4-188-12	28.20	21.85	17.32	13.97	11.50	9.67
SRA-STB-4-188-15	16.05	12.34	9.69	7.72	6.27	5.25

Product Catalog Number	AASHTO 2001 - EPA ft <sup>2</sup>					
	80 MPH	90 MPH	100 MPH	110 MPH	120 MPH	130 MPH
SRA-STB-4-188-16	16.03	12.32	9.64	7.69	6.26	5.25
SRA-STB-4-188-18	11.53	8.86	6.97	5.54	4.53	3.78
SRA-STB-4-188-20	8.76	6.76	5.35	4.27	3.49	2.93
SRA-STB-5-125-15	22.53	17.38	13.84	11.35	9.45	7.98
SRA-STB-5-125-16	22.50	17.36	13.84	11.30	9.45	7.95
SRA-STB-5-125-18	16.19	12.48	9.94	8.14	6.81	5.74
SRA-STB-5-125-20	12.28	9.49	7.59	6.23	5.18	4.37
SRA-STB-5-125-25	7.65	5.97	4.75	3.70	2.93	2.35
SRA-STB-5-125-30	4.40	2.45	1.45	0.93	0.58	0.31
SRA-STB-5-188-15	33.51	26.05	20.87	17.16	14.33	12.13
SRA-STB-5-188-16	33.47	25.99	20.84	17.11	14.29	12.08
SRA-STB-5-188-18	24.04	18.69	14.98	12.31	10.29	8.71
SRA-STB-5-188-20	18.14	14.14	11.35	9.35	7.79	6.62
SRA-STB-5-188-25	11.27	8.81	7.10	5.83	4.89	4.14
SRA-STB-5-188-30	7.64	5.99	4.82	3.82	3.00	2.37

### Standard Anchor Bolt



- Warning:** Additional wind loading, in terms of EPA, from banners, cameras, floodlights and other accessories attached to the pole, must be added to the luminaire(s) EPA before selecting the pole with the appropriate wind load capability. Specifying BAA or BAC compliant poles may result in different EPA ratings.
- Factory supplied template must be used when setting anchor bolts. Gardco will not honor any claim for incorrect anchorage placement resulting from failure to use factory supplied templates. Exact length of anchor bolts may vary.
- EPA ratings are based on the listed, optimal midpoint of the bolt circle. The bolt circle has limited variability but the EPA rating will change.

**NOTE:** Above EPA (Effective Projected Area) rating is in accordance with AASHTO 2001 and CSA-S6-14, with a 50 pound load (22.7 kg) placed at 1 foot (305mm) above its center.

# Poles Straight Round Aluminum

EPA Table

Product Catalog Number	CSA-S6-14- EPA ft <sup>2</sup>					
	300 Pa 79 MPH	400 Pa 91 MPH	500 Pa 102 MPH	600 Pa 111 MPH	700 Pa 120 MPH	800 Pa 129 MPH
SRA-CA-4-125-10	5.11	3.39	2.35	1.64	1.15	0.79
SRA-CA-4-125-12	3.59	2.15	1.28	0.70	0.27	N/A
SRA-CA-4-125-15	1.83	0.66	N/A	N/A	N/A	N/A
SRA-CA-4-125-16	1.34	0.27	N/A	N/A	N/A	N/A
SRA-CA-4-125-18	0.43	N/A	N/A	N/A	N/A	N/A
SRA-CA-4-125-20	N/A	N/A	N/A	N/A	N/A	N/A
SRA-CA-4-188-10	8.32	5.78	4.27	3.26	2.51	1.99
SRA-CA-4-188-12	6.32	4.17	2.91	2.03	1.44	0.98
SRA-CA-4-188-15	4.01	2.32	1.29	0.60	0.12	N/A
SRA-CA-4-188-16	3.39	1.78	0.82	0.17	N/A	N/A
SRA-CA-4-188-18	2.22	0.82	N/A	N/A	N/A	N/A
SRA-CA-4-188-20	1.21	N/A	N/A	N/A	N/A	N/A
SRA-CA-5-125-15	3.88	2.03	0.95	0.20	N/A	N/A
SRA-CA-5-125-16	3.20	1.44	0.43	N/A	N/A	N/A
SRA-CA-5-125-18	1.93	0.37	N/A	N/A	N/A	N/A
SRA-CA-5-125-20	0.76	N/A	N/A	N/A	N/A	N/A
SRA-CA-5-188-15	7.36	4.66	3.00	1.93	1.15	0.56
SRA-CA-5-188-16	6.42	3.88	2.38	1.34	0.62	0.07
SRA-CA-5-188-18	4.80	2.55	1.19	0.27	N/A	N/A
SRA-CA-5-188-20	3.39	1.34	0.13	N/A	N/A	N/A
SRA-HB-4-125-10	5.11	3.39	2.35	1.64	1.15	0.79
SRA-HB-4-125-12	3.59	2.15	1.28	0.70	0.27	N/A
SRA-HB-4-125-15	1.83	0.66	N/A	N/A	N/A	N/A
SRA-HB-4-125-16	1.34	0.27	N/A	N/A	N/A	N/A
SRA-HB-5-125-15	3.88	2.03	0.95	0.20	N/A	N/A
SRA-HB-5-125-16	3.20	1.44	0.43	N/A	N/A	N/A
SRA-STB-4-125-10	18.85	14.65	11.60	9.38	7.70	6.50
SRA-STB-4-125-12	15.95	11.56	8.92	7.17	5.93	4.96
SRA-STB-4-125-15	11.15	7.79	5.80	4.47	3.49	2.79
SRA-STB-4-125-16	10.95	7.65	5.70	4.37	3.43	2.73
SRA-STB-4-125-18	8.55	5.75	4.08	2.96	2.18	1.58
SRA-STB-4-125-20	6.55	4.15	2.73	1.78	1.10	0.58
SRA-STB-4-188-10	26.60	19.50	15.20	12.40	10.35	8.85
SRA-STB-4-188-12	21.80	15.80	12.20	9.80	8.10	6.80
SRA-STB-4-188-15	16.70	11.82	8.89	6.94	5.55	4.50
SRA-STB-4-188-16	15.40	10.80	8.05	6.20	4.90	3.90
SRA-STB-4-188-18	13.05	8.95	6.45	4.82	3.66	2.78
SRA-STB-4-188-20	11.10	7.35	5.15	3.65	2.59	1.81
SRA-STB-5-125-15	18.63	13.26	10.06	7.92	6.38	5.25
SRA-STB-5-125-16	18.63	13.26	10.06	7.92	6.38	5.25
SRA-STB-5-125-18	15.00	10.45	7.69	5.85	4.55	3.57
SRA-STB-5-125-20	12.10	8.10	5.75	4.15	3.02	2.17
SRA-STB-5-125-25	7.25	4.25	2.44	1.25	0.37	N/A
SRA-STB-5-125-30	3.35	1.10	N/A	N/A	N/A	N/A
SRA-STB-5-188-15	28.59	20.78	16.05	12.93	10.68	9.00
SRA-STB-5-188-16	28.59	20.78	16.05	12.93	10.68	9.00
SRA-STB-5-188-18	23.80	17.03	12.96	10.26	8.34	6.87
SRA-STB-5-188-20	19.85	13.95	10.45	8.05	6.40	5.13
SRA-STB-5-188-25	13.45	8.90	6.15	4.35	3.05	2.07
SRA-STB-5-188-30	8.45	4.90	2.75	1.35	0.32	N/A



# Poles Straight Round Aluminum

## Specifications

### Pole shaft

The pole shaft is fabricated from a single piece of extruded 6000 series aluminum. Shaft includes factory installed copper ground lug, 10-7 wire, and ground lug screw. A vibration dampener (VDA) is automatically added by the factory for all poles 25ft or higher.

### Anchor Base

The pole anchor base consists of a cast aluminum base welded to the shaft (CA), a cast aluminum hinged base (HB) or a steel tenon base (STB) secured with bolts and shims in which the aluminum shaft is slipped over.

### Anchor Bolts

Anchor bolts are fabricated from a commercial quality hot rolled carbon steel bar that meets or exceeds a minimum guaranteed yield strength of 55 ksi. Bolts have an "L" bend on one end and threaded on the opposite end. Anchor bolts are galvanized in accordance with ASTM A-153.6 C1.C. Four (4) properly sized bolts, each furnished with two (2) regular hex nuts and two (2) flat washers, are provided per pole (priced and ordered separately), unless otherwise specified. Conforms to AASHTO M 314 90 and ASTM F1554.

### Customer Specified Options

The options, DTX, FES, DR, GFI, AHH, CL\*, and NL\* require factory quotation. Poles with custom drilling templates (DTX) are provided as a service, however Signify holds no liability for improper installation and safety when using non-Signify luminaires or attachments on Gardco poles via drilling, tenon mounting, or coupling and nipple mounting. It is the responsibility of the customer to ensure the pole is loaded and installed in a safe manner to the limitations of the pole structure. See "Warning" paragraph for more details.

### Base Cover

A two-piece painted square aluminum base cover that completely conceals the entire base plate and anchorage. Base cover is provided standard.

### Hand hole

The hand hole has a nominal rectangular 2"x4.5" inside opening in the pole shaft. Included is an aluminum cover plate, EPDM gasket, and captive attachment screws. The hand hole is located 20" above the base and 0° clockwise with respect to the luminaire arm when viewed from the top of the pole for one arm. For two arms the hand hole is located directly under one arm.

### Pole Top Cap

Each pole assembly is provided with a removable aluminum pole top cap painted to match the specified pole and attached with three pressure screws.

### Finish

Poles are available with Gardco's standard textured color finishes - Black, White, Bronze, Dark Grey, Medium Grey, and Lumec GY3 for a match with roadway luminaire finishes. Optional custom colors also available.

### Couplings and Nipples

Couplings (NPSC standard internal threads) and Nipples (NPT standard external threads) are available to mount 3rd party objects to the pole. Lengths are as follows:

Couplings < 1" dia. = 1" length  
Couplings >= 1" dia. = 1.5" length  
Nipples < 1" dia. = 1.5" length  
Nipples >= 1" dia. = 2" length

See "Customer Specified Options" paragraph for more details

### Duplex Receptacle (DR and GFI)

DR and GFI options are placed at 2' below the pole top on the same side as the hand hole unless otherwise specified. DR or GFI options cannot be placed within 1' of the the hand hole. Maximum output of the receptacles are 15A.

## General Pole Information

### Design

EPA specs conform to AASHTO 2001 and CSA-S6-14 standards. The poles as charted are designed to withstand dead loads and predicted dynamic loads developed by variable wind pressure with an additional 2.5 gust factor under the following conditions: The charted weights include luminaire(s) and/or mounting bracket(s). Poles installed in areas of known abnormal conditions may require special consideration. For example: coastal areas, airports and areas of special winds. Poles are designed for ground mounted applications. Poles mounted on structures (such as buildings and bridges) may also necessitate special consideration requiring Gardco's recommendation. Height correction factors and drag coefficients are applied to the entire structure. An appropriate safety factor is maintained based on the minimum yield strength of the material incorporated in the pole.

### Warning

This design information is intended as a general guideline only. The customer is solely responsible for proper selection of pole, luminaire, accessory and foundation under the given site conditions and intended usage. The addition of any items to the pole, in addition to the luminaire, will dramatically impact the EPA load on that pole. It is strongly recommended that a qualified professional be consulted to analyze the loads given the user's specific needs to ensure proper selection of the pole, luminaire, accessories, and foundation. Gardco assumes no responsibility for such proper analysis or product selections. Failure to ensure proper site analysis, pole selection, loads and installation can result in pole failure, leading to serious injury or property damage.

### Warranty

Gardco Aluminum poles are covered by a 5-year structural and finish warranty. Legacy designs are covered by a 1-year warranty. For more information visit [signify.com/warranties](http://signify.com/warranties).

