

CHLORIDE

by Signify



Exit/Emergency

TruPath

Emergency unit TPU



Project: _____

Location: _____

Cat.No: _____

Type: _____

Lamps: _____ Qty: _____

Notes: _____

Chloride TruPath emergency unit TPU is a multi-purpose product that with aesthetic appeal for most commercial applications, yet also offers a wet location listed option, making it durable enough for harsher industrial environments. The TPU utilizes high brightness and long lasting LED light sources to provide exceptional emergency illumination. Also, the robust Intelli-Charge self-diagnostic ensures the unit is always ready.

Ordering guide

Example: TPUWRLM7WIC

Series	Application	Battery	Source	Housing Color	Diagnostic Selection ³	Options ⁴
TPU				W		
TPU TruPath LED multi-purpose emergency unit	D Dry/damp location W Wet location/ NSF	N Nickel cadmium battery, (no remote capability) R Remote capability (Nickel cadmium battery) ^{1,2}	LM5 LED, MR16, 12V-5W LM7 LED, MR16, 12V-7W	W White	IC Self-diagnostics only (standard) ICT Self-diagnostics with self-test ICTA Self-diagnostics with audible self-test	ACF Input fuse ACP AC power switch DCP Battery disconnect switch EX Special voltage XFMR TD Time delay (15 minutes) HTR Heater for cold weather applications Consult factory if more than one of these options are desired

Accessories⁵ (order separately)

- **ICIR** – Intelli-Charge "Infra-Red" remote
- **TPUMK** – TPU Series mounting kit (for columns, poles and I-beams)
- **T15TPTOOL** – Tamperproof screwdriver
- **WG4** – Wire guard (flat wall mount)

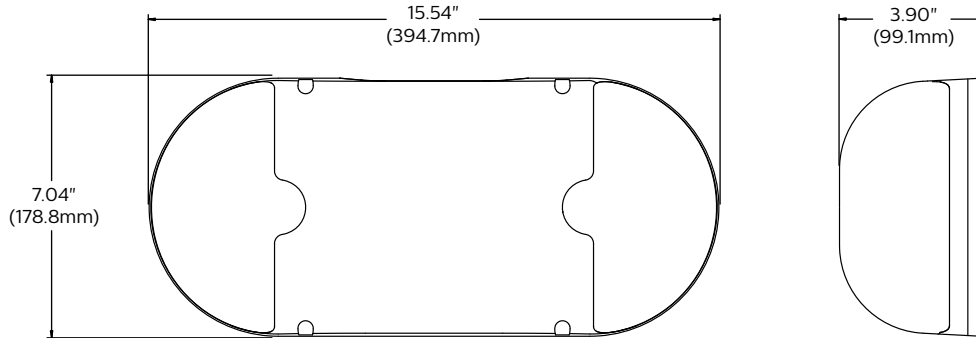
Footnotes

1. TPU units with 2 LM7 LED lamps can feed a single LM7 remote LED lamp head. TPU units with 2 LM5 LED lamps can feed one dual LM5 remote LED lamp head or two single LM5 remote LED lamp heads.
2. Remote capability not available on units with HTR heater.
3. Must specify either a IC, ICT or ICTA on TPU model.
4. Some option combinations may impact the ETL Listing.
5. Consult Signify to confirm whether specific accessories are BAA-compliant.



TPU TruPath emergency unit

Dimensions



Performance

Meets Life Safety Code illumination standard; average of 1.0 FC, no point less than 0.1 FC, max to min ratio of 40:1. Assumes open space with no obstructions.

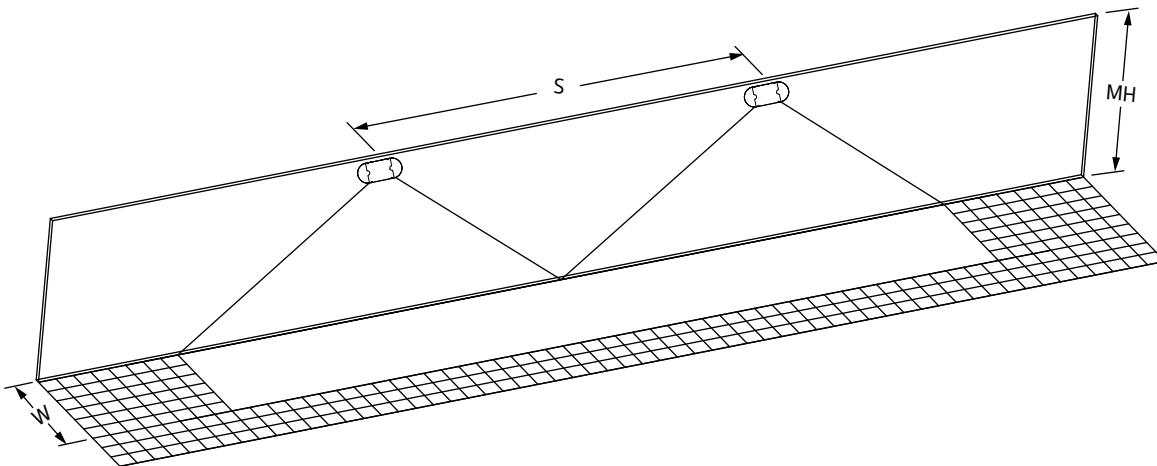
TruPath emergency unit performance									
		Space: 200' x 200' x 30' - 10/10/10					6' Corridor - 80/50/20		
Source		Wall mount					Wall mount	Ceiling mount	
LM5 LED	Mtg Ht						7.5'		
	Spacing						80'		
LM7 LED	Mtg Ht	8'	10'	12'	16'	20'	8'	9'	10'
	Spacing	88'	70'	65'	60'	55'	77'	95'	95'

The center-to-center spacing results are based on emergency illumination on a 6ft wide Path of Egress.

Lumen output:

LM5 (5W) 317 lumens per lamp head (totals 634 lumens per unit utilizing two LM5 LED lamp heads)

LM7 (7W) 516 lumens per lamp head (totals 1032 lumens per unit utilizing two LM7 LED lamp heads)



TPU TruPath emergency unit

Codes and standards

- TPUD models are ETL Listed to UL Standard 924 for dry/damp locations.
- TPUW models are ETL Listed for wet locations and are suitable for NSF (Standard 2 "Splash Zone" applications)
- TPUW meets NEMA 3X standard

Construction

- This product is constructed of high-impact resistant UL924 V-0.5VA polycarbonate material.
- The two-piece housing is provided with a universal knock-out pattern for easy installation to standard junction boxes.
- Tamperproof Torx® T15 hardware with center pin reject provided is standard.

Installation

- An optional mounting plate and strapping kit (TPUMK) may be used to mount the product to columns, poles and I-beams.

Electronics

- 120/277 VAC dual voltage input with surge protection is standard on all models.
- TPU units include brownout detection, AC lockout, low voltage disconnect, AC power indicator, charge status indicator, audible user-interface controls, visual LED system fault indicator, and tactile push-to-test switch.
- Additional equipment safety features include reverse battery polarity detection and protection, and reverse utility power detection and protection.
- Intelli-Charge circuit is standard, where the charging system is microprocessor driven with software embedded diagnostic routine and temperature compensation.
- TPU units include an on-board IR receiver for use with the optional hand held remote (ICIR).

- Optional self-testing electronics. The diagnostic/charging platform with optional self-testing mode automatically runs a one minute self-test every 30 days and a 30 minute test on the sixth and twelfth month in accordance with NFPA 101.
- A manual test can be initiated by swiping a magnet across the front cover without the need to remove the cover (refer to the manual instructions sheet for details).
- Power Consumption
12 VDC Models: Input - 120/277 VAC, 60Hz, .068/.041 amps; Output - 12VDC, 24W Maximum.

Lamps

- Each lamp reflector system can be adjusted 180° vertically and 90° horizontally.
- TPU models are available with either a 5 Watt or 7 Watt LED MR16 retrofit lamp. Contact factory for other available lamp types.

Battery

- Maintenance free nickel cadmium battery with operating temperature range 0°C to 40°C and for cold weather applications: -35°C to 40°C with the HTR heater accessory.
- Provides a minimum of 90 minutes of emergency power.

Warranty

- Five year limited warranty on electronics, LED lamps, and battery.

Diagnostic options

- **ICT** – The self-testing option enables a periodic self-test of the equipment where a test routine is established to perform a one-minute test once a month with a 30 minute test performed on the sixth and twelfth month in accordance with NFPA 101. Equipment readiness faults are indicated with a visual LED display.

- **ICTA** – The audible self-testing option enables a periodic self-test of the equipment where a test routine is established to perform a one-minute test once a month with a 30 minute test performed on the sixth and twelfth month in accordance with NFPA 101. Equipment readiness faults are indicated with a visual LED display and audible alarm.

Other options

- **ACF** – The AC fuse option includes an in line fuse on the primary winding of the input transformer for additional electronic protection against utility surges or spikes.
- **ACP** – The AC power switch option includes a toggle switch electrically connected to the primary of the input transformer. This option allows for opening the utility feed to the equipment for servicing or maintenance.
- **DCP** – The DC power switch includes a toggle switch electrically connected between the battery and lamp load in order to prevent battery discharge or for prolonged outages not deemed an emergency.
- **EX** – The special input transformer option allows for input voltage and frequencies beyond the standard 120/277 VAC, 60Hz input.
- **TD** – The time delay circuit causes the emergency lighting equipment to remain under battery power for a period of 15 minutes after the utility power has been restored.
- **HTR** – Heater for cold weather applications.

Buy American Act of 1933 (BAA):

This product is manufactured in one of our US factories and, as of the date of this document, this product was considered a commercially available off-the-shelf (COTS) item meeting the requirements of the BAA. This BAA designation hereunder does not address (i) the applicability of, or availability of a waiver under, the Trade Agreements Act, or (ii) the "Buy America" domestic content requirements imposed on states, localities, and other non-federal entities as a condition of receiving funds administered by the Department of Transportation or other federal agencies. Prior to ordering, please visit www.signify.com/baa to view a current list of BAA-compliant products to confirm this product's current compliance.

