







**INSTALLATION INSTRUCTIONS FOR ADVENT LYTESPAN® TRACK SYSTEM****D. MOUNTING TRACK DIRECTLY TO WALL OR CEILING SURFACE**

Track may be mounted directly to a surface through existing holes in the Track (Fig. 6).

Caution: Nylon insulators are required to isolate the screws from the track conductors.

Caution: When wall mounting track, do not use mounting clips. Mount track directly to surface as shown in Fig. 6.

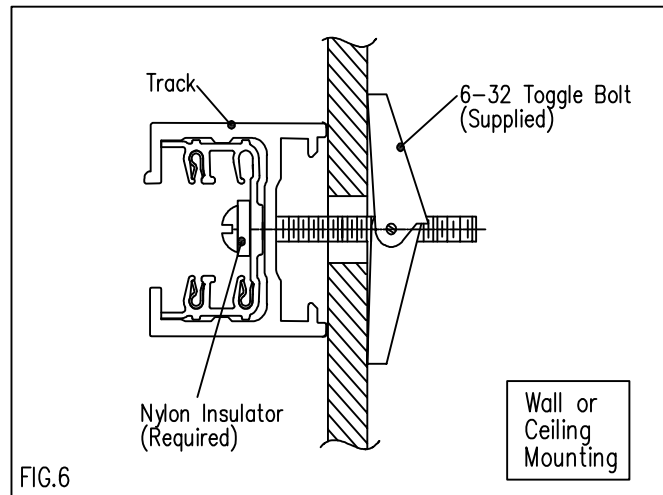


FIG. 6

**E. INVISIBLE POWER FEED TO LIVE END**

1. Remove Bottom Cover from Live End.
2. Remove Plug and Nut from Live End.
3. Insert 3/8" BX Connector into Live End and secure with Nut. Orient the screw of the BX Connector so it lies within the width of the Live End.  
NOTE: Special care must be taken when making the hole in the mounting surface to prevent the hole from being visible when track is mounted. If Romex connector is being used the screws may have to be cut to conceal the mounting hole.

4. Pass leads through BX Connector and Live End and secure conduit to BX Connector.
5. Follow instructions #5, #6, and #7 in Section A.

**F. POWER FEED TO LIVE END FROM SURFACE WIRING**

Live End accepts a 3/8" electrical Connector attached to a conduit, cable or raceway.

Note: Do not use the Live End as a conduit, cable or raceway support. Independent fastening means must be employed to support the conduit, cable or raceway to the building.

1. Remove Bottom Cover from Live End.
2. Remove "LIGHTOLIER" Label from the Bottom Cover and break-off K.O..
3. Mount 3/8" Connector to Live End. Follow Instructions A-6. Attach Bottom Cover to Live End.

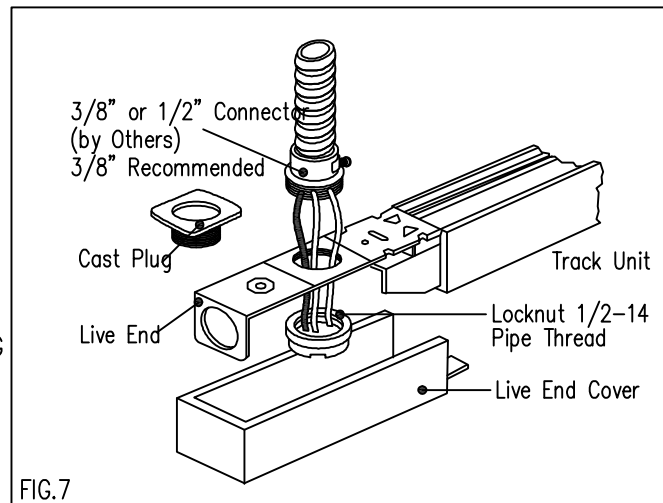


FIG. 7

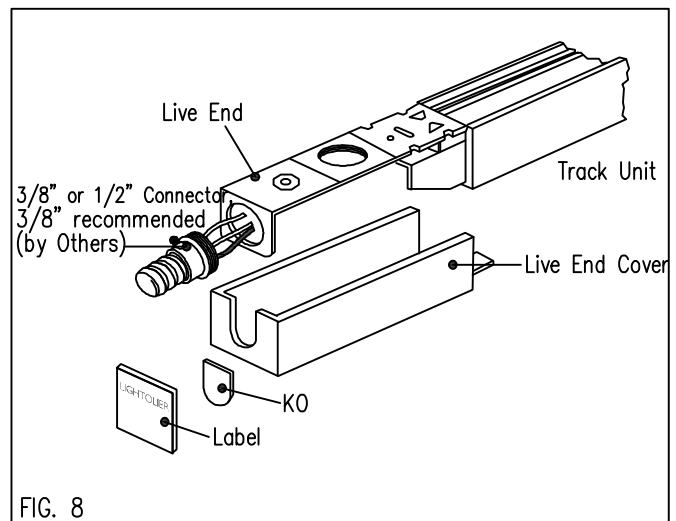


FIG. 8

**LIGHTOLIER**by **signify**

200 ranklin S uare ri e  
Somerset, NJ 08873, USA  
Phone: 855-486-2216

Signify Canada Ltd./ Signify Canada Ltée  
281 Hillmount Road

Phone: 800-668-9008

2S3

C0119

**LIGHTOLIER®**