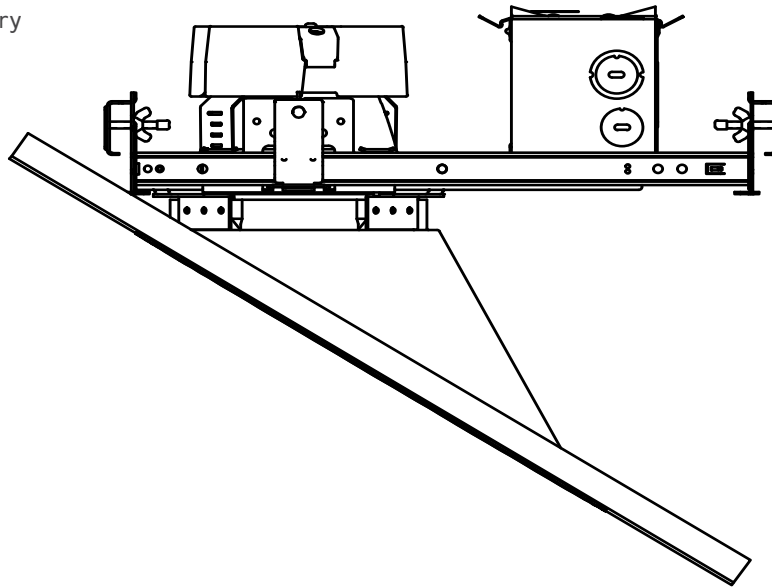


Sloped ceiling accessory
for use with Uniframe



Project: _____

Location: _____

Cat.No: _____

Type: _____

Lamps: _____ Qty: _____

Notes: _____

1. Identify Trim Aperture:

Slope adapter is an accessory ordered and installed separately.

Catalog Number	Aperture	LED
7920	4"	C4RN, 4RN, C4RA Downlight series
7925	6"	C6RN, 6RN, C6RA Downlight series
7926	7"	C7RN, 7RN Downlight series

2. Specify desired degree of slope:

ex. 7920MD 4" aperture with 10° Slope

MC 5°	MD 10°	ME 15°	MF 20°	MG 25°	MH 30°
-------	--------	--------	--------	--------	--------

Features

1. Slope Ceiling Adapter: 16 ga. spun aluminum, matte white finish. Installs with standard recessed fixture in sloped ceilings without changing the vertical axis of the fixture or its lighting characteristics. *The slope ceiling adapter is available the following slope angles: 5°, 10°, 15°, 20°, 25°, 30° (maximum). When ordering, specify Catalog number and Adapter. Example: Adapter suffix for 7920 series in 20° slope ceiling is 7920MF.

- 2. Perforated Tabs (4):** Provide temporary support for the slope ceiling adapter during installation.
- 3. Locking Screws (4):** Secure slope ceiling adapter to mounting frame of fixture.
- 4. Representative Fixture: (shown)** Fixture must be supported by ceiling structure – not Slope Ceiling Adapter.

The information presented in this document is not intended as any commercial offer and does not form part of any quotation or contract.

