

The Gardco RA Hinged Base Straight Round Aluminum pole consists of a one-piece round extruded aluminum lighting standard welded to a cast aluminum base plate. This top plate/pole assembly is attached on-site to the lower base with removable pivot pins. This construction allows for easy installation and servicing of the attached luminaires without the need for a ladder or bucket truck. The poles are finished with either Architectural Class 1 anodizing or electrostatically applied TGIC polyester powdercoat.

Project: _____
 Location: _____
 Cat.No: _____
 Type: _____
 Lamps: _____ Qty: _____
 Notes: _____

Ordering Guide

example: RA4-HB-12-D4-WP

Prefix	Base	Height	Drilling ¹	Finish	Options
	HB				
RA4	HB	10 12 15	D1 1 Way D2 2 Way at 180° D2@90 2 Way at 90°	BRP Bronze Paint BLP Black Paint WP White Paint	DR Duplex Receptacle GFCI Ground Fault Receptacle VDA Vibration Dampener AHH Additional Hand Hole
RA4.5		8 10 12 15	D3 3 Way at 90° D3@120 3 Way at 120° D4 4 Way T2 2.4" OD Tenon X 4" long	MGY Medium Grey Paint DGY Dark Grey Paint BRA Bronze Anodized Paint BLA Black Anodized Paint	For DR, GFCI, and AHH options indicate height above base and orientation to original hand hole. See Pole Orientation Information on Page 5.
RA5		15 18 20	T3 3" OD Tenon X 4" long T4 4" OD Tenon X 6" long P Plain Top (No Drilling/No Tenon)	NA Natural Anodized Paint OC Optional Color Paint (Specify RAL designation ex: RAL7024) SC Special Color Paint (Specify. Must supply color chip.)	<p>Nipples and Couplings</p> CL1/2 Coupling - Internal Thread 1/2" CL3/4 Coupling - Internal Thread 3/4" CL1 Coupling - Internal Thread 1" CL1-1/4 Coupling - Internal Thread 1-1/4" CL1-1/2 Coupling - Internal Thread 1-1/2" NL1/2 Nipple - External Thread 1/2" NL3/4 Nipple - External Thread 3/4" NL1 Nipple - External Thread 1" NL1-1/4 Nipple - External Thread 1-1/4" NL1-1/2 Nipple - External Thread 1-1/2" Indicate height above base and orientation to hand hole. See Pole Orientation Information on Page 6.
					<p>Single Mount Bullhorn Brackets</p> A15BH-19 Single - 1.9" OD ² A15BH-24 Single - 2.4" OD A215BH-19 2-Tenon - 1.9" OD ² A215BH-24 2-Tenon - 2.4" OD Indicate height above base and orientation to hand hole. See Pole Orientation Information on Page 5
Additional and alternative brackets and accessories available. Refer to the Signify product catalog (eCat) website for more information					

1. Standard poles are drilled in factory for compatibility with Signify luminaires only (D* options). For non-Signify-brand luminaires, select the P drilling option.
 2. For Gardco DFL7/DFC7 only.

Anchor Bolts for Gardco RA-CB and RA-HB Poles, ordered separately:

	12NC for ordering	Description (in inches)
For Pre-ship service (Order 4 per pole)	912400215786	0.75 x 18 x 3.75
For shipment with the pole (Order 1 per pole)	912400207384	0.75 x 18 x 3.75

Poles Straight Round Aluminum – Hinged Base

Pole Data

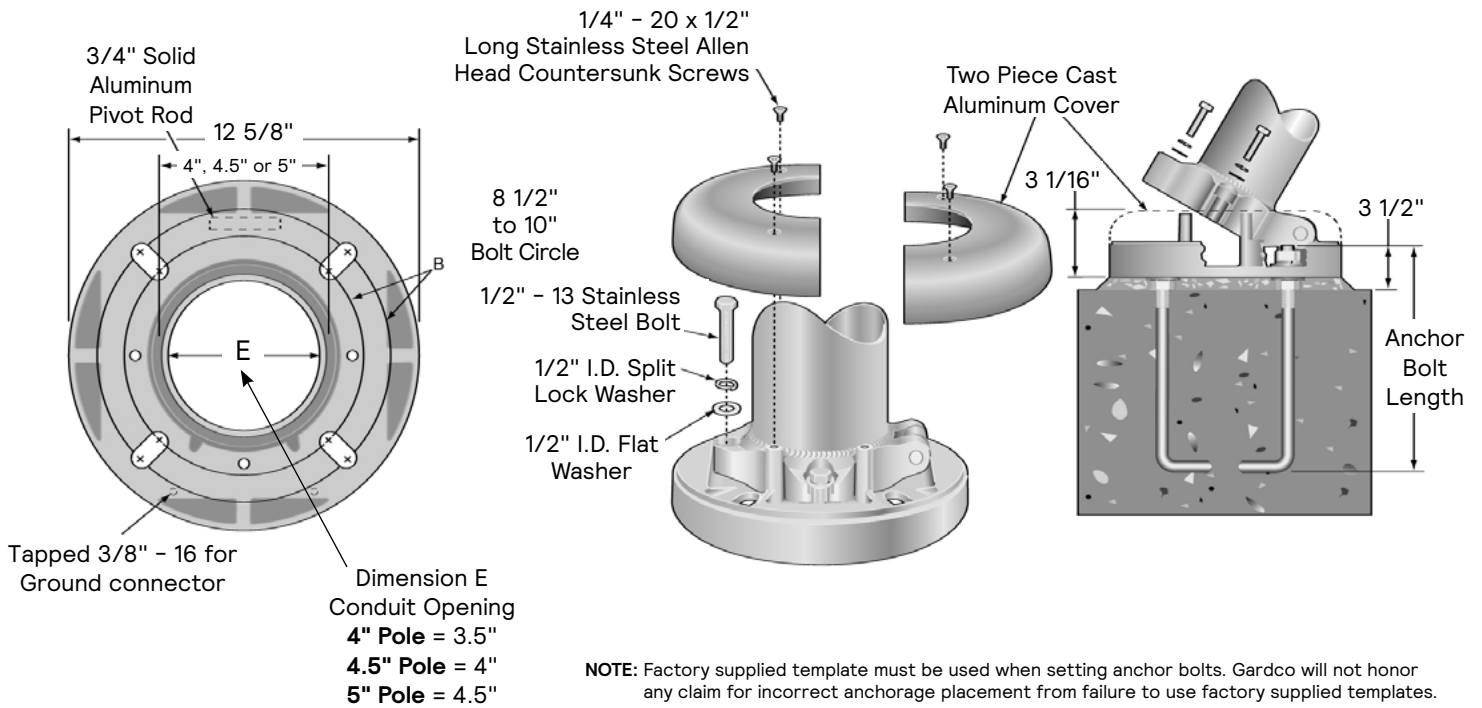
Product Catalog Number	Pole Specs				Anchor Bolt Data ²		
	Height (ft)	Pole Diameter (inches)	Wall Thickness (inches)	Structure Weight (lbs)	Bolt Circle (inches)	Bolt Size (inches)	Max Proj. (inches)
RA4-HB-10	10	4	0.125	22	8.5 - 10	0.75 x 18 x 3.75	3.5
RA4-HB-12	12	4	0.125	26	8.5 - 10	0.75 x 18 x 3.75	3.5
RA4-HB-15	15	4	0.125	33	8.5 - 10	0.75 x 18 x 3.75	3.5
RA4.5-HB-8	8	4.5	0.125	19	8.5 - 10	0.75 x 18 x 3.75	3.5
RA4.5-HB-10	10	4.5	0.125	22	8.5 - 10	0.75 x 18 x 3.75	3.5
RA4.5-HB-12	12	4.5	0.125	27	8.5 - 10	0.75 x 18 x 3.75	3.5
RA4.5-HB-15	15	4.5	0.125	33	8.5 - 10	0.75 x 18 x 3.75	3.5
RA5-HB-15	15	5	0.125	41	8.5 - 10	0.75 x 18 x 3.75	3.5
RA5-HB-18	18	5	0.188	65	8.5 - 10	0.75 x 18 x 3.75	3.5
RA5-HB-20	20	5	0.188	72	8.5 - 10	0.75 x 18 x 3.75	3.5

Maximum Luminaire Loading ¹								
Catalog Number	High Wind Conditions		Normal Wind Conditions					
	110 MPH		100 MPH		90 MPH		80 MPH	
Prefix	EPA ft ²	Max Weight (lbs)	EPA ft ²	Max Weight (lbs)	EPA ft ²	Max Weight (lbs)	EPA ft ²	Max Weight (lbs)
RA4-HB-10	2.7	50	3.3	50	4.4	50	5.9	50
RA4-HB-12	1.8	50	2.2	50	3.1	50	4.4	50
RA4-HB-15	0.3	50	0.5	50	1.1	50	2.0	50
RA4.5-HB-8	3.9	50	4.8	50	6.1	50	8.0	50
RA4.5-HB-10	2.7	50	3.3	50	4.4	50	5.9	50
RA4.5-HB-12	1.8	50	2.2	50	3.1	50	4.4	50
RA4.5-HB-15	0.3	50	0.5	50	1.1	50	2.0	50
RA5-HB-15	2.4	50	3.0	50	3.9	50	5.2	50
RA5-HB-18	3.2	75	4.0	75	5.2	75	6.8	75
RA5-HB-20	2.3	75	2.9	75	3.9	75	5.2	75

- Warning:** Additional wind loading, in terms of EPA, from banners, cameras, floodlights and other accessories attached to the pole, must be added to the luminaire(s) EPA before selecting the pole with the appropriate wind load capability.
- Factory supplied template must be used when setting anchor bolts. Gardco will not honor any claim for incorrect anchorage placement resulting from failure to use factory supplied templates.

Poles Straight Round Aluminum - Hinged Base

Dimensions



Poles Straight Round Aluminum – Hinged Base

Specifications

POLE SHAFT

The pole shaft is a one-piece, seamless 6000 series extruded aluminum cylindrical tubing and is heat-treated to achieve a T6.

BASE PLATE ASSEMBLY

The base assembly consists of a cast aluminum alloy A356 T6 upper base plate that is welded directly to the pole shaft.

ANCHOR BOLTS

Anchor bolts are fabricated from a commercial quality hot rolled carbon steel bar that meets or exceeds a minimum guaranteed yield strength of 50,000 psi. Bolts have an "L" bend on one end and threaded on the opposite end. Anchor bolts are completely hot dipped galvanized. Four (4) properly sized bolts, each furnished with two (2) regular hex nuts and two (2) flat washers, are provided per pole as an accessory, unless otherwise specified. An anchor

bolt template will be provided automatically when pre-shipped anchor bolts are requested. For anchor bolt shipment with poles, the pole itself will be used as the template.

BASE COVER

A two-piece, heavy wall aluminum cover completely conceals the entire base plate and anchorage. The base cover is secured to the base assembly with four (4) stainless steel fasteners.

HAND HOLE

The hand hole has a nominal rectangular 2 3/8" x 4 1/2" (4") or 3" x 5" (4.5", 5") inside opening in the pole shaft assembly. Included is an aluminum cover plate with attachment screws. The hand hole is located 18" above the base and 180° opposite the hinge.

DRILLING

Standard poles are drilled in factory for compatibility with Signify luminaires, optional brackets, and accessories. Signify is not liable for damage caused by unauthorized attachments, alterations, or modifications. If luminaires are to be supplied by others, Signify/Gardco/Stonco is not responsible for pole compatibility with luminaires, structural integrity of the pole or wind load requirements.

POLE TOP CAP

Each RA pole assembly is provided with a removable black composite friction-fit pole top cap.

FINISH

Poles are available with Aluminum Association Architectural Class 1 anodized finish. Electrostatically applied, thermally cured TGIC polyester powdercoat finish or liquid polyurethane is also available.

General Pole Information

DESIGN

The poles as charted are designed to withstand dead loads and predicted dynamic loads developed by variable wind speeds with an additional 30% gust factor under the following conditions:

The charted weights include luminaire(s) and/or mounting bracket(s).

The wind velocities are based on 10 mph increments from 80 mph through 110 mph. Poles to be located in areas of known abnormal conditions may require special consideration. For example: coastal areas, airports and areas of special winds. Poles are designed for ground mounted applications. Poles mounted on structures

(such as buildings and bridges) may also necessitate special consideration requiring Gardco's recommendation. Height correction factors and drag coefficients are applied to the entire structure. An appropriate safety factor is maintained based on the minimum yield strength of the material incorporated in the pole.

WARNING

This design information is intended as a general guideline only. The customer is solely responsible for proper selection of pole, luminaire, accessory and foundation under the given site conditions and intended usage. The addition of any items to the pole, in

addition to the luminaire, will dramatically impact the EPA load on that pole. It is strongly recommended that a qualified professional be consulted to analyze the loads given the user's specific needs to ensure proper selection of the pole, luminaire, accessories, and foundation. Gardco assumes no responsibility for such proper analysis or product selections. Failure to insure proper site analysis, pole selection, loads and installation can result in pole failure, leading to serious injury or property damage.

GENERAL INFORMATION

Mounting height is the vertical distance from the base of the lighting pole to the center of the luminaire arm at the point of luminaire attachment.

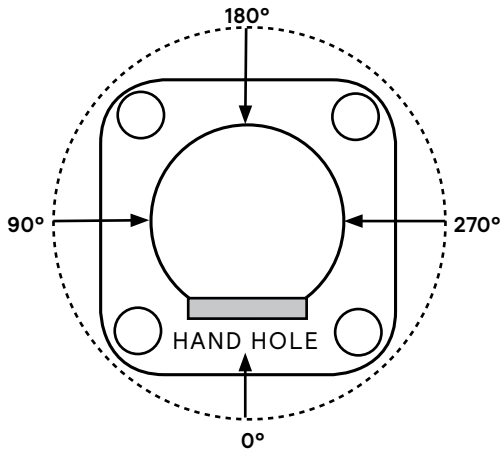
WARRANTY

Gardco poles feature a 1 year limited warranty. See Warranty Information on www.signify.com/warranties for complete details and exclusions.

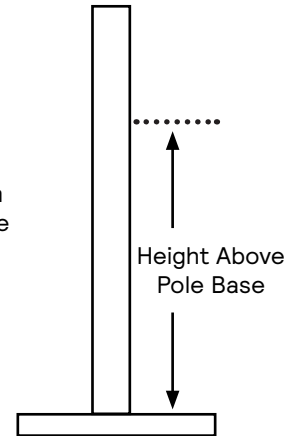
Poles Straight Round Aluminum - Hinged Base

Orientation Information

Factory installed options and accessories



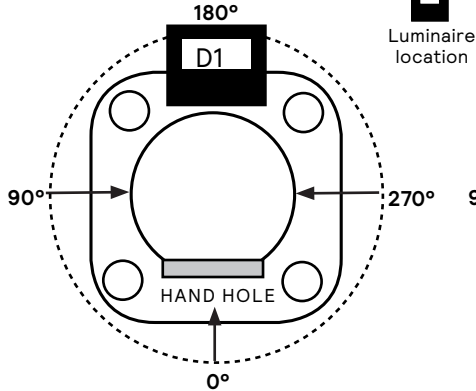
For Factory Installed Options and Accessories, Specify Orientation from Hand Hole and Height Above Pole Base Where Required.



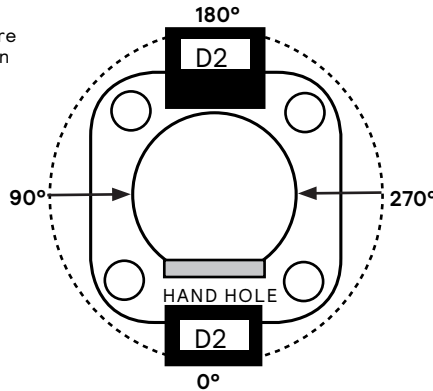
Orientation is measured clockwise from the Hand Hole Center.

Standard arm mount luminaire orientation

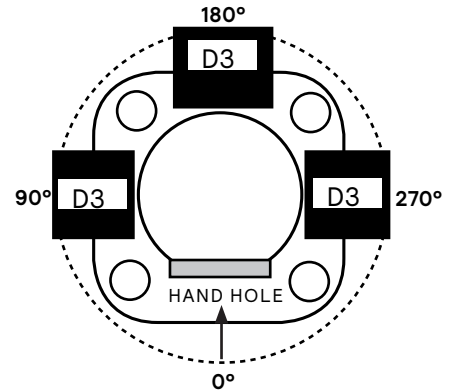
D1 Drilled for Single Luminaire



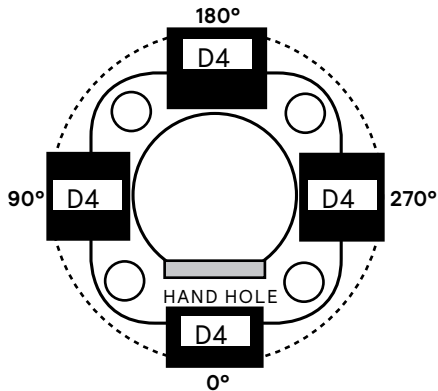
D2 Drilled for 2 Luminaires at 180°



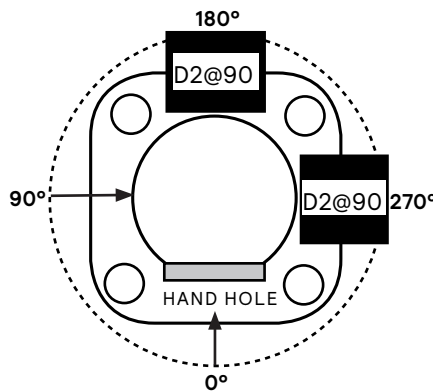
D3 Drilled for 3 Luminaires @ 90°



D4 Drilled for 4 Luminaires at 90°



D2@90 Drilled for 2 Luminaires at 90°



D3@120 Drilled for 3 Luminaires at 120°

