



Alkco's Ambient Recessed Downlights are the perfect compliment to the RelaxView LED Ambient Ceiling illuminators. They are an ideal lighting solution for any healthcare imaging space. This fixture best suits spaces with non-ferrous construction and EMI control requirements. This offering supports a relaxing environment through its clean aesthetic and uniform light appearance ultimately providing patients with comfort, calmness and ease during imaging experiences.

Project: _____

Location: _____

Cat.No: _____

Type: _____

Lamps: _____ Qty: _____

Notes: _____

Ordering guide

example: RVAD6G-42-SWH

Model Number	LED Color Temp.	Finish
—	—	—
RVAD6G 6" Downlight Grid	35 3500K	SWH Soft white
RVAD6F 6" Downlight Flange	42 4200K	CC ¹ Custom color

Footnotes:

¹ Customer to provide color chip to match.



RVAD Relaxview Ambient Recessed Downlight

3500K or 4200K

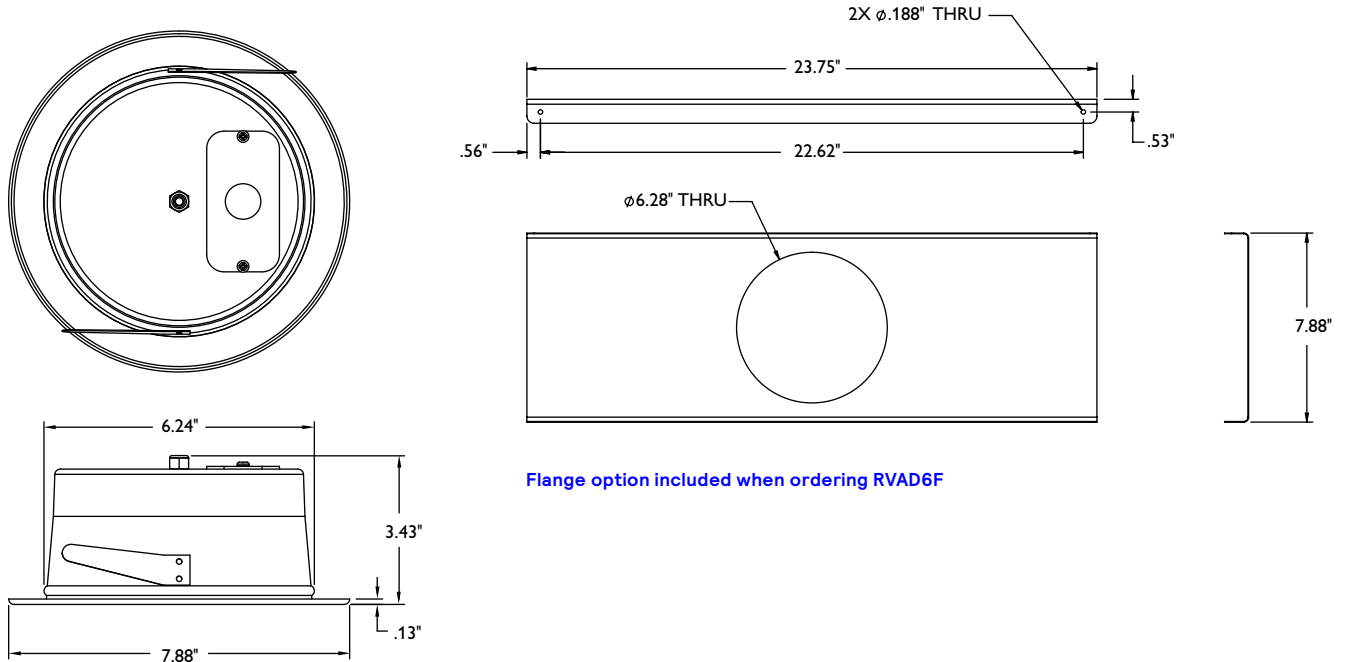
Features

- Easy installation and requires minimal maintenance.
- Long life LED source.
- Available in neutral white (3500K or 4200K).
- Available for grid or flange ceiling installations.
- Agion® antimicrobial finish.
- Class 1 low voltage installation.
- Dimming option available on RelaxView Power Distribution Module PDM.
- On/Off and dimming control available with addition of RelaxView Intelligent Wall Dimmer IWD.

Specifications

- **Construction:** Non-ferrous construction. Spun aluminum housing with a 1/8" translucent white PMMA acrylic lens and aluminum trim ring.
- **Finish:** The housing has a polyester powder-coat paint finish with an Agion® antimicrobial finish.
- **Light Source:** LED source for lower power consumption and uniformity, attached to heat-sink for maximum performance and reliability. The LED source is available in 3500K or 4200K white.
- **Electrical:** RelaxView is powered by remote Class 1 low voltage power distribution module(s) (sold separately). Dimming is available. The RelaxView panels do not include a DC power supply. Remote modular Power Distribution Module PDM needed with or without dimmer.
- **Installation:** Easy installation into standard grid or hard ceilings.
- **Listing:** Components are CE or ETL listed and RoHS compliant.
- **Warranty:** Fixture warranted against defects for 5 years from original date of purchase.

Dimensions



Flange option included when ordering RVAD6F

Electrical Data

Model	RVAD6
Power (Watts)	10.6

RVAD Relaxview Ambient Recessed Downlight

3500K or 4200K

Photometrics

RelaxView RVAD 6" Downlight

LER - 52

Catalog No. RVAD6-42 Test No. 32124 S/MH 1.3 Lamp Type LED Lumens/Lamp 2160 Input Watts 10.6		Candlepower			Light Distribution			Average Luminance																																																																																																																																									
		Angle	Mean CP	Lumens	Degrees	Lumens	% Luminaire	Angle	Mean CD/SQ M																																																																																																																																								
Comparative yearly lighting energy cost per 1000 lumens - \$4.62 based on 3000 hrs. and \$0.08 pwr KWH. The photometric results were obtained in the Day-Brite laboratory which is NVLAP accredited by the National Institute of Standards and Technology. Photometric values based on test performed in compliance with LM-79.		0	230		0-30	623	28.8	45	787796																																																																																																																																								
		5	229	22	0-40	1014	46.9	55	737679																																																																																																																																								
		10	226		0-60	1764	81.6	65	653287																																																																																																																																								
		15	221	62	0-90	2161	100.00	75	481878																																																																																																																																								
		20	214					85	152593																																																																																																																																								
		25	205	94	Coefficients of Utilization (%) EFFECTIVE FLOOR CAVITY REFLECTANCE 20 PER (pfc=0.20) <table border="1"> <thead> <tr> <th rowspan="2">pcc</th> <th colspan="3">80</th> <th colspan="3">70</th> <th colspan="3">50</th> </tr> <tr> <th>70</th> <th>50</th> <th>30</th> <th>70</th> <th>50</th> <th>30</th> <th>50</th> <th>30</th> </tr> </thead> <tbody> <tr> <td>pw</td> <td></td><td></td><td></td><td></td><td></td><td></td><td></td><td></td> </tr> <tr> <td>RCR</td> <td></td><td></td><td></td><td></td><td></td><td></td><td></td><td></td> </tr> <tr> <td>0</td> <td>119</td><td>119</td><td>119</td> <td>116</td><td>116</td><td>116</td> <td>111</td><td>111</td> </tr> <tr> <td>1</td> <td>109</td><td>105</td><td>101</td> <td>107</td><td>103</td><td>99</td> <td>98</td><td>95</td> </tr> <tr> <td>2</td> <td>100</td><td>92</td><td>85</td> <td>97</td><td>90</td><td>84</td> <td>86</td><td>81</td> </tr> <tr> <td>3</td> <td>91</td><td>81</td><td>73</td> <td>89</td><td>79</td><td>72</td> <td>76</td><td>70</td> </tr> <tr> <td>4</td> <td>83</td><td>72</td><td>63</td> <td>81</td><td>70</td><td>62</td> <td>68</td><td>61</td> </tr> <tr> <td>5</td> <td>77</td><td>64</td><td>55</td> <td>75</td><td>63</td><td>55</td> <td>61</td><td>54</td> </tr> <tr> <td>6</td> <td>71</td><td>58</td><td>49</td> <td>69</td><td>57</td><td>49</td> <td>55</td><td>48</td> </tr> <tr> <td>7</td> <td>66</td><td>52</td><td>44</td> <td>64</td><td>52</td><td>43</td> <td>50</td><td>43</td> </tr> <tr> <td>8</td> <td>61</td><td>48</td><td>39</td> <td>60</td><td>47</td><td>39</td> <td>46</td><td>39</td> </tr> <tr> <td>9</td> <td>57</td><td>44</td><td>36</td> <td>56</td><td>43</td><td>36</td> <td>42</td><td>35</td> </tr> <tr> <td>10</td> <td>54</td><td>41</td><td>33</td> <td>52</td><td>40</td><td>33</td> <td>39</td><td>32</td> </tr> </tbody> </table>						pcc	80			70			50			70	50	30	70	50	30	50	30	pw									RCR									0	119	119	119	116	116	116	111	111	1	109	105	101	107	103	99	98	95	2	100	92	85	97	90	84	86	81	3	91	81	73	89	79	72	76	70	4	83	72	63	81	70	62	68	61	5	77	64	55	75	63	55	61	54	6	71	58	49	69	57	49	55	48	7	66	52	44	64	52	43	50	43	8	61	48	39	60	47	39	46	39	9	57	44	36	56	43	36	42	35	10	54	41	33	52	40	33	39	32
		pcc	80									70			50																																																																																																																																		
			70	50							30	70	50	30	50	30																																																																																																																																	
		pw																																																																																																																																															
		RCR																																																																																																																																															
		0	119	119							119	116	116	116	111	111																																																																																																																																	
		1	109	105							101	107	103	99	98	95																																																																																																																																	
		2	100	92							85	97	90	84	86	81																																																																																																																																	
		3	91	81							73	89	79	72	76	70																																																																																																																																	
		4	83	72							63	81	70	62	68	61																																																																																																																																	
		5	77	64	55	75	63	55	61	54																																																																																																																																							
6	71	58	49	69	57	49	55	48																																																																																																																																									
7	66	52	44	64	52	43	50	43																																																																																																																																									
8	61	48	39	60	47	39	46	39																																																																																																																																									
9	57	44	36	56	43	36	42	35																																																																																																																																									
10	54	41	33	52	40	33	39	32																																																																																																																																									
30	193																																																																																																																																																
35	180	113																																																																																																																																															
40	166																																																																																																																																																
45	150	116																																																																																																																																															
50	134																																																																																																																																																
55	116	103																																																																																																																																															
60	97																																																																																																																																																
65	77	76																																																																																																																																															
70	57																																																																																																																																																
75	37	39																																																																																																																																															
80	19																																																																																																																																																
85	6	8																																																																																																																																															
90	0																																																																																																																																																

Buy American Act of 1933 (BAA):

This product is manufactured in one of our US factories and, as of the date of this document, this product was considered a commercially available off-the-shelf (COTS) item meeting the requirements of the BAA. This BAA designation hereunder does not address (i) the applicability of, or availability of a waiver under, the Trade Agreements Act, or (ii) the "Buy America" domestic content requirements imposed on states, localities, and other non-federal entities as a condition of receiving funds administered by the Department of Transportation or other federal agencies. Prior to ordering, please visit www.signify.com/baa to view a current list of BAA-compliant products to confirm this product's current compliance.

