

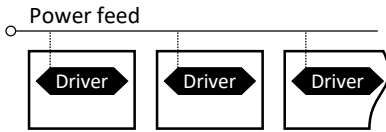


by Signify

Recessed

Shine & SilkSpace definition

ID-33 & ID-42

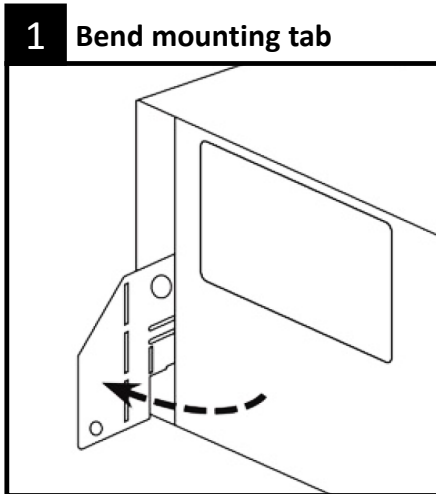


Every fixture contains its own driver and receives a direct power feed.

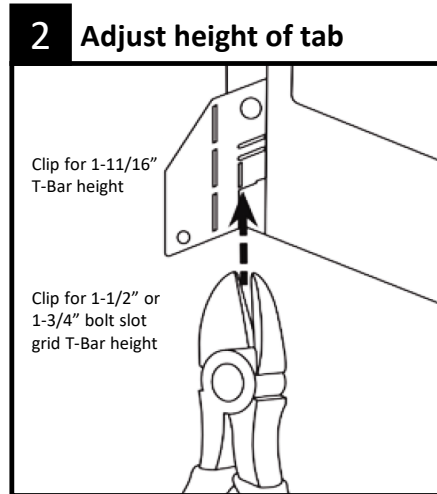
### Standalone Installation Instructions Imperial & Metric Sizes



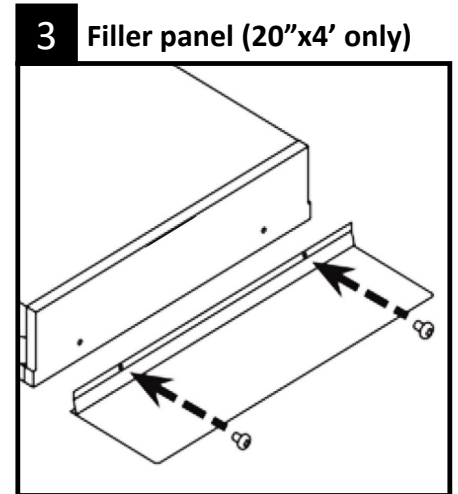
### Preparing fixtures for mounting



Bend out mounting tab 90° on each corner.

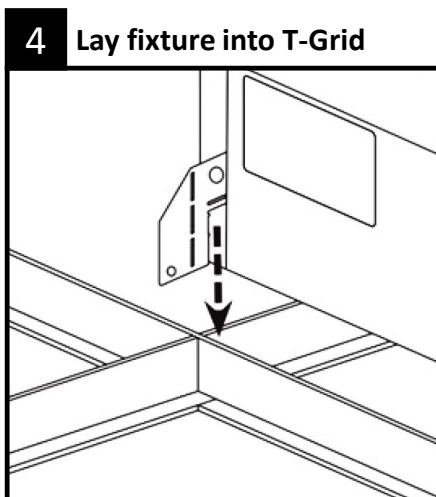


Use side cutters to adjust each tab to height of T-Grid.

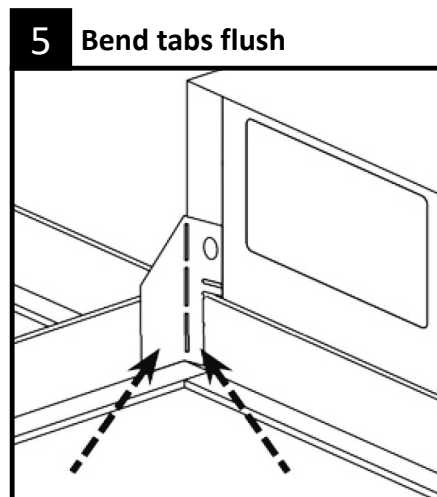


If installing in a 20"x60" T-Grid ceiling, attach filler panels to ends of the housing using supplied screws, as shown above.

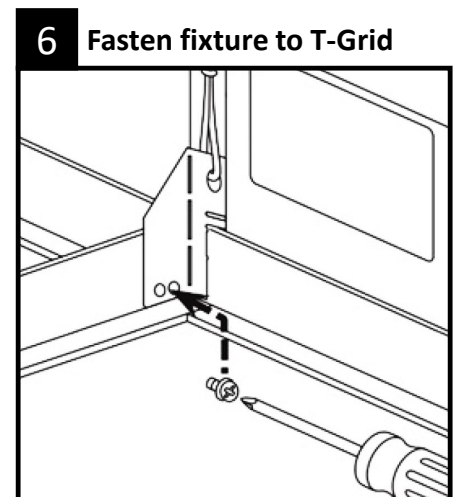
### Mounting in a T-Grid ceiling



Lay fixture into T-Grid.



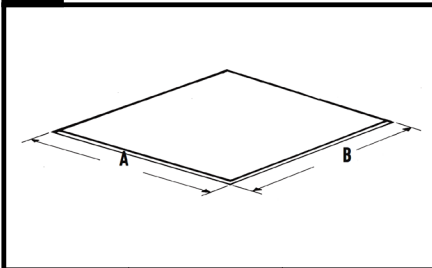
Bend tabs flush against T-Grid in order to clear for ceiling tile.



Use #8x1/4" sheet metal screws to fasten fixture to T-Grid and use a hanger wire to tie off appropriately in accordance with local building codes. (Screws and hanger wires supplied by others).

Mounting in a drywall ceiling

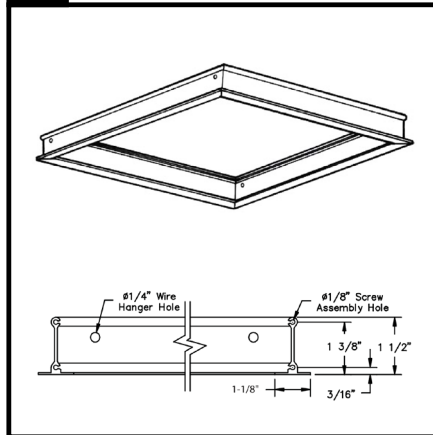
**7** Drywall ceiling cut out



Fixtures size	A	B
2'x2'	24 3/8" (626mm)	24 3/8" (626mm)
2'x4'	24 3/8" (626mm)	48 3/8" (1235mm)
1'x4'	12 3/8" (321mm)	48 3/8" (1235mm)

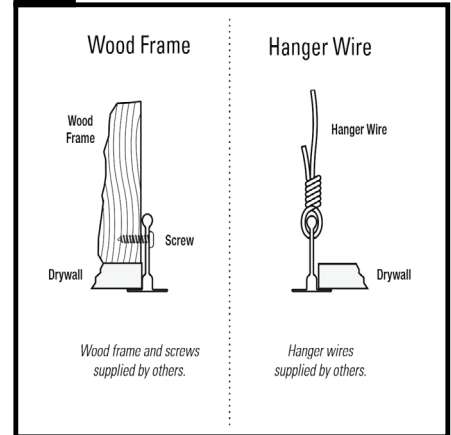
Cut a hole in the drywall with according to the dimensions in the table above.

**8** Installing mounting frame



Insert mounting frame into hole and secure as shown in step 9.

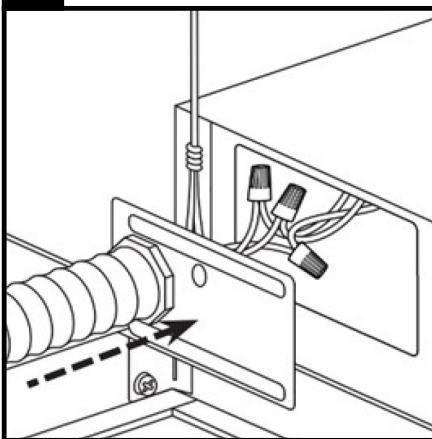
**9** Mounting options



Secure mounting frame by screwing to wood frame or attaching hangar wires.

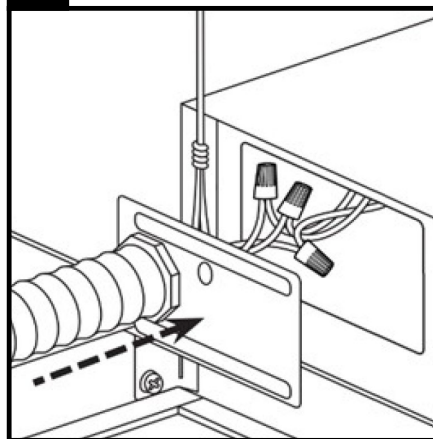
Making electrical connections & lens installation

**10** Electrical connections



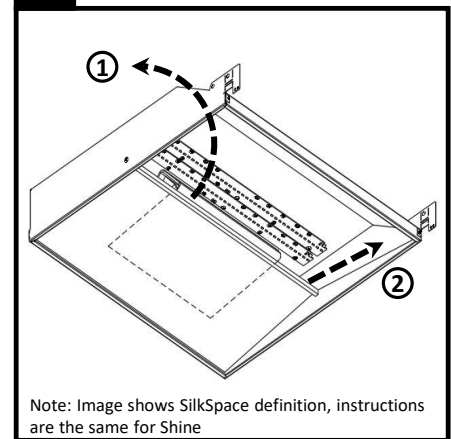
Make all electrical connections to the fixture. For flex whip option, see step 11.

**11** Flex Whip (optional)



Optional Flex whip is prewired inside fixture. Remove packaging and insert snap-fitting into wiring cover and complete electrical connections at other end of whip.

**12** Installing Lenses



Note: Image shows SilkSpace definition, instructions are the same for Shine

1. Remove & recycle cardboard shipping insert holding lenses in place.
2. Slide second lens across to enclose fixture cavity.

**!** **ATTENTION: Install in accordance with local and national building and electric codes.**

