

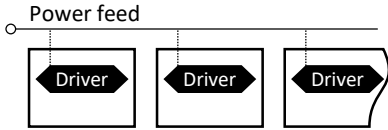


by Signify

Recessed

Shine & SilkSpace definition

ID-33 & ID-42

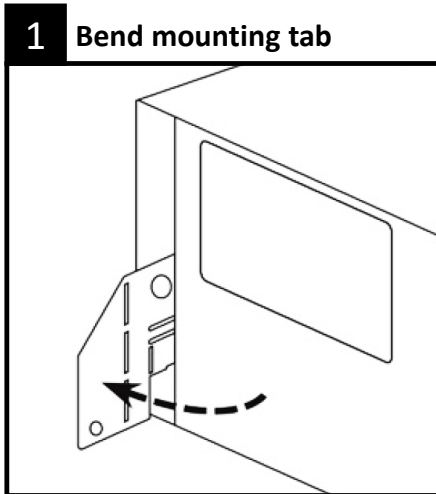


Every fixture contains its own driver and receives a direct power feed.

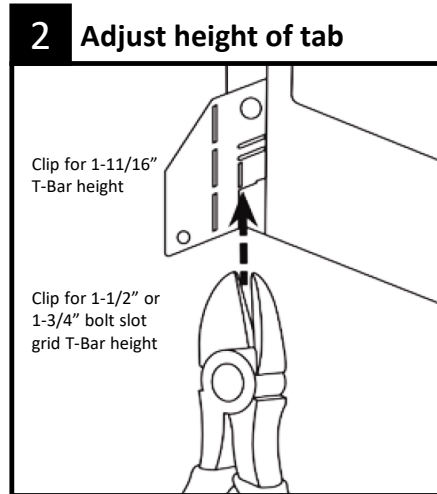
Standalone Installation Instructions Imperial & Metric Sizes



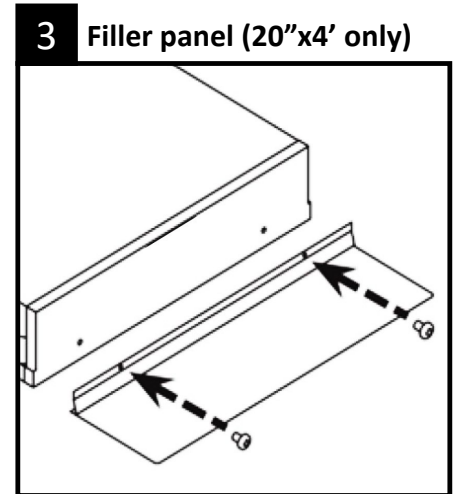
Preparing fixtures for mounting



Bend out mounting tab 90° on each corner.

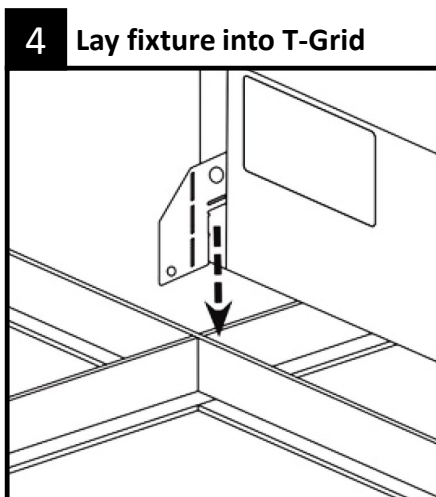


Use side cutters to adjust each tab to height of T-Grid.

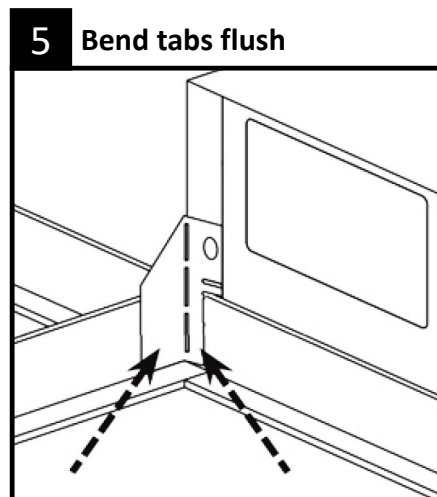


If installing in a 20"x60" T-Grid ceiling, attach filler panels to ends of the housing using supplied screws, as shown above.

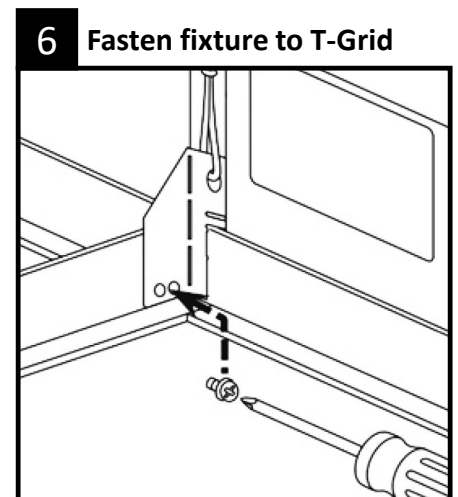
Mounting in a T-Grid ceiling



Lay fixture into T-Grid.



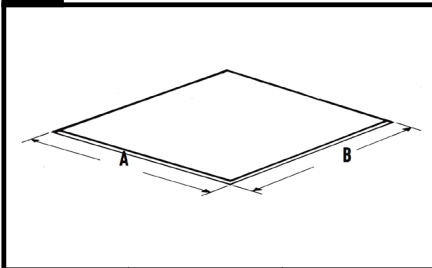
Bend tabs flush against T-Grid in order to clear for ceiling tile.



Use #8x1/4" sheet metal screws to fasten fixture to T-Grid and use a hanger wire to tie off appropriately in accordance with local building codes. (Screws and hanger wires supplied by others).

Mounting in a drywall ceiling

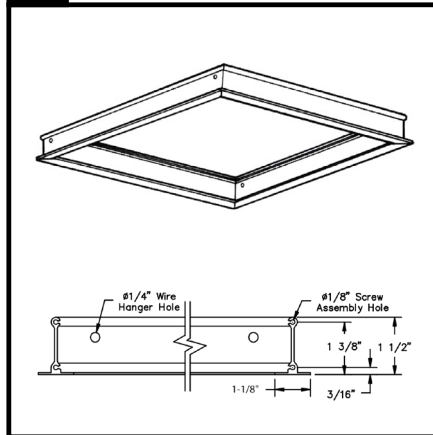
7 Drywall ceiling cut out



Fixtures size	A	B
2'x2'	24 3/8" (626mm)	24 3/8" (626mm)
2'x4'	24 3/8" (626mm)	48 3/8" (1235mm)
1'x4'	12 3/8" (321mm)	48 3/8" (1235mm)

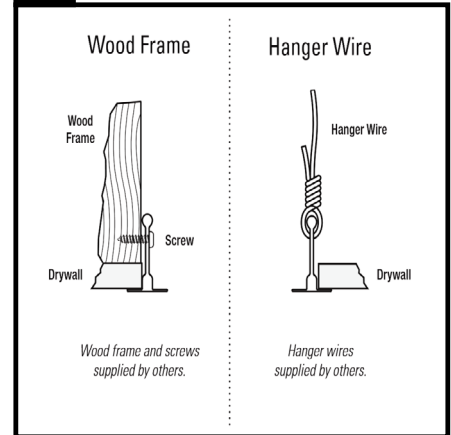
Cut a hole in the drywall with according to the dimensions in the table above.

8 Installing mounting frame



Insert mounting frame into hole and secure as shown in step 9.

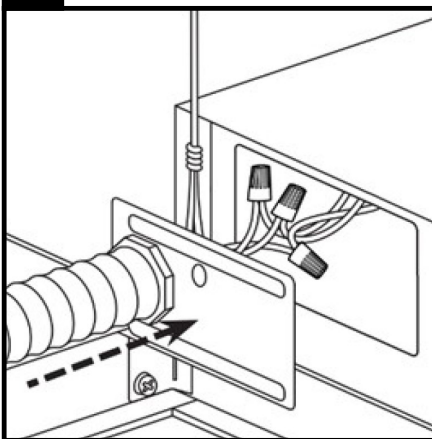
9 Mounting options



Secure mounting frame by screwing to wood frame or attaching hangar wires.

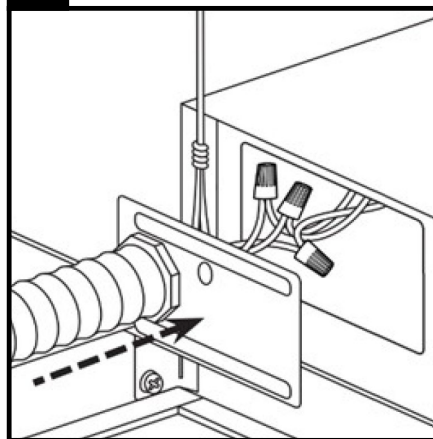
Making electrical connections & lens installation

10 Electrical connections



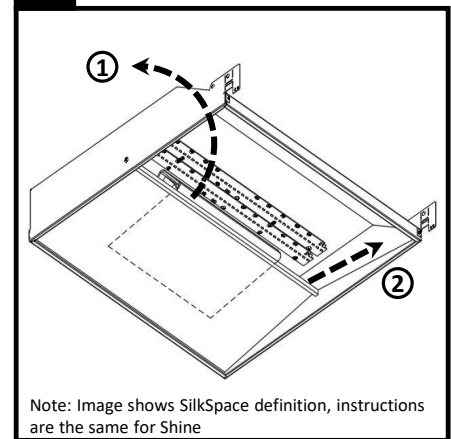
Make all electrical connections to the fixture. For flex whip option, see step 11.

11 Flex Whip (optional)



Optional Flex whip is prewired inside fixture. Remove packaging and insert snap-fitting into wiring cover and complete electrical connections at other end of whip.

12 Installing Lenses



Note: Image shows SilkSpace definition, instructions are the same for Shine

1. Remove & recycle cardboard shipping insert holding lenses in place.
2. Slide second lens across to enclose fixture cavity.

! **ATTENTION: Install in accordance with local and national building and electric codes.**

