

LIGHTOLIER

by  Signify

IS-FD1R

Flat Downlight

Instructions for Installation and Operation

WARNINGS

- Read all instructions before starting to install fixtures.
- Retain these instructions for future reference.
- This product is for installation indoors only.
- **DANGER - RISK OF FIRE, INJURY AND DEATH.** This fixture must be installed in accordance with local electrical codes and ordinances. All work must be done by a qualified electrician.
- **DANGER – RISK OF FIRE, INJURY AND DEATH.** Make certain power is OFF from the electrical panel before starting installation or attempting any maintenance.
- **DANGER RISK OF FIRE INJURY AND DEATH.** Do not damage insulation on wires. Do not expose wires to sharp edges or objects.
- Secure and protect incoming supply wire and any control wire with a suitable cable restraint (supplied by installer).
- Only supply voltage as labeled on the product.
- Fixture must be properly grounded.
- Do not install if any part appears to be damaged.
- This device complies with part 15 of the FCC Rules. Operation is subject to the following two conditions: (1) This device may not cause harmful interference, and (2) this device must accept any interference received, including interference that may cause undesired operation.
- Note: This equipment has been tested and found to comply with the limits for a Class B digital device , pursuant to part 15 of the FCC Rules. These limits are designed to provide reasonable protection against harmful interference in a residential installation. This equipment generates, uses and can radiate radio frequency energy and, if not installed and used in accordance with instructions, may cause harmful interference to radio communications. However, there is no guarantee that interference will not occur in a particular installation . If this equipment does cause harmful interference to radio or television reception, which can be determined by turning the equipment off and on, the user in encouraged to try to correct the interference by one or more of the following measures:
 - Reorient or relocate the receiving antenna.
 - Increase the separation between the equipment and the receiver.
 - Connect the equipment into an outlet on a circuit different for that to which the receiver is connected.
 - Consult the dealer or an experienced radio/TV technician for help.
- Conforme.CAN ICES-005 (B) / NMB-005 (B)



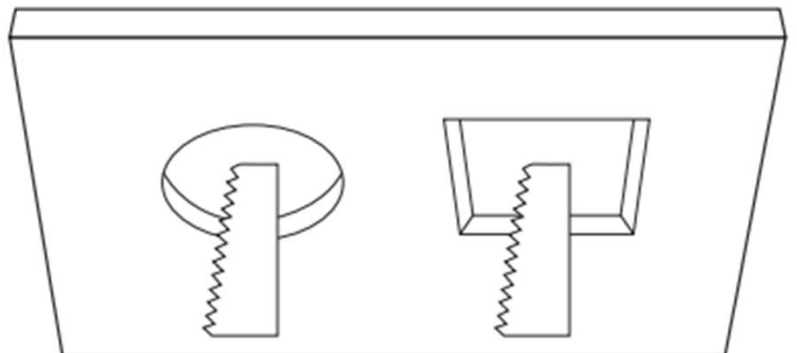
IS-FD1R**Flat Downlight****installation****STEP 1**

Confirm that there is no electrical power on the circuit where the luminaire will be connected.

STEP 2

Use the Installation template provided to make the hole in the ceiling, if needed you can use the dimensions provided below for different size luminaires:

3-inch round	Ø3-1/4"(82.5mm)
3-inch square	Ø3-1/4"(82.5mm)
4-inch round	Ø4-1/4"(110mm)
4-inch square	Ø4-1/4"(110mm)
5-inch round	Ø4-1/4"(110mm)
5-inch square	Ø4-1/4"(110mm)
6-inch round	Ø6-1/4"(160mm)
6-inch square	Ø6-1/4"(160mm)
8-inch round	Ø8-1/4"(210mm)
8-inch square	Ø8-1/4"(210mm)

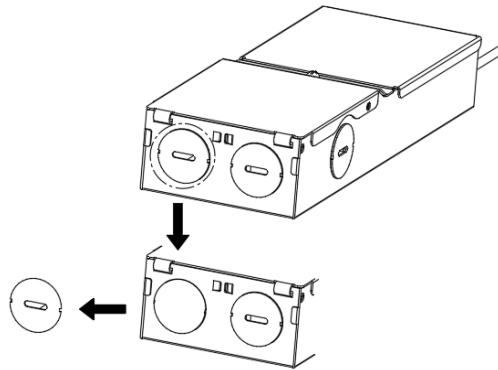


IS-FD1R

Flat Downlight

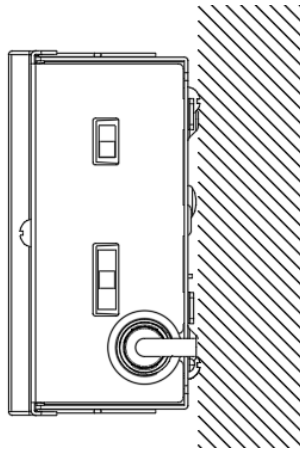
STEP 3

Open the splice box cover and only remove the knockout needed. Incoming wires must be secured with an appropriate restraint (provided by installer).



STEP 4

Secure the splice box to the building structure in accordance with applicable codes.



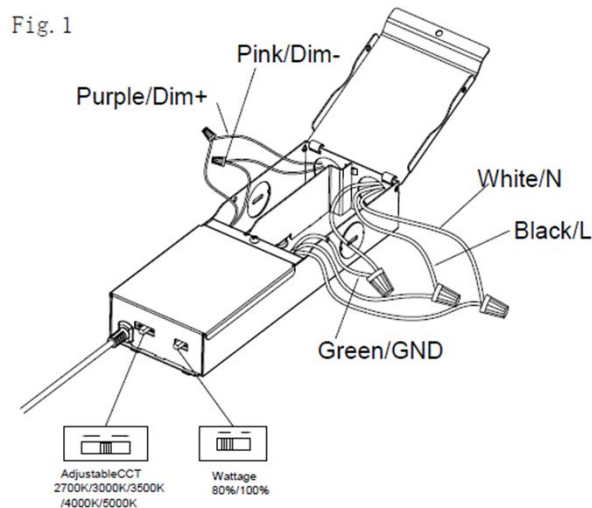
WARNING – Attach the Driver/Splice Box to a secure structural part of the building per applicable codes. Use optional 10 foot long extension cord (sold separately) if additional cord length is needed. Only one extension cord may be used with each luminaire.

IS-FD1R Flat Downlight

Driver Wiring

STEP 5

WITH THE POWER OFF, make electrical connections as shown in Fig 1 below.

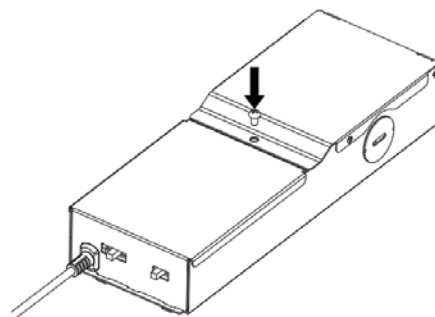


WARNING RISK OF FIRE, INJURY AND DEATH. Use wire nuts provided which are thermally rated for use in a luminaire splice compartment. Box must be grounded.

Note: Select and adjust Lumen and Color settings (where provided) BEFORE installing the luminaire into the ceiling.

STEP 6

Carefully place all wiring into the splice box and close the cover.



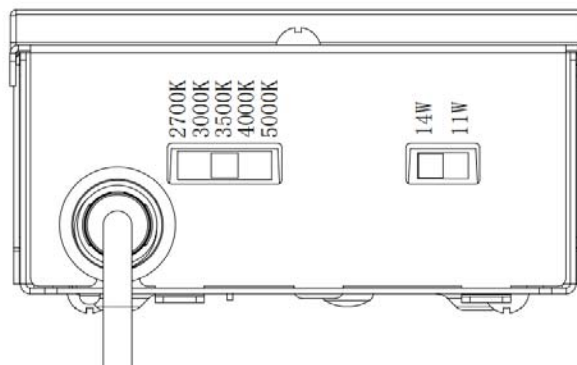
WARNING Risk of Fire - Be careful not to crush or cut wires when closing the splice box cover.

IS-FD1R

Flat Downlight

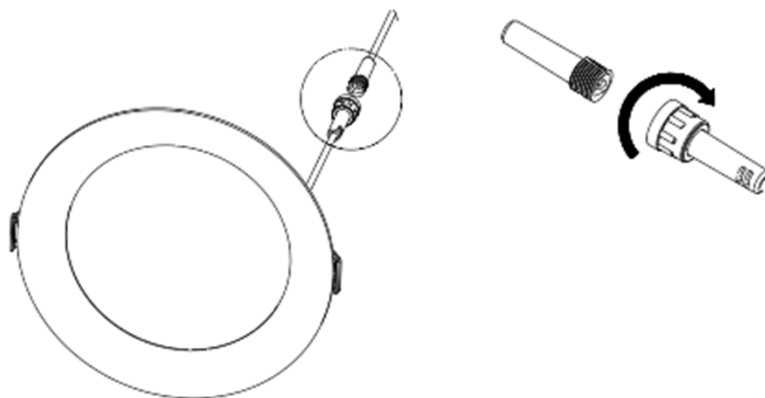
STEP 7

Select desired the color temperature and lumen output with the switches (see image below) BEFORE installing in the ceiling.



STEP 8

Place the cord from the Driver/Splice box through the opening in the ceiling and connect it to the cord from the fixture by inserting connectors (1 & 2) and then securing them together using the threaded collar.



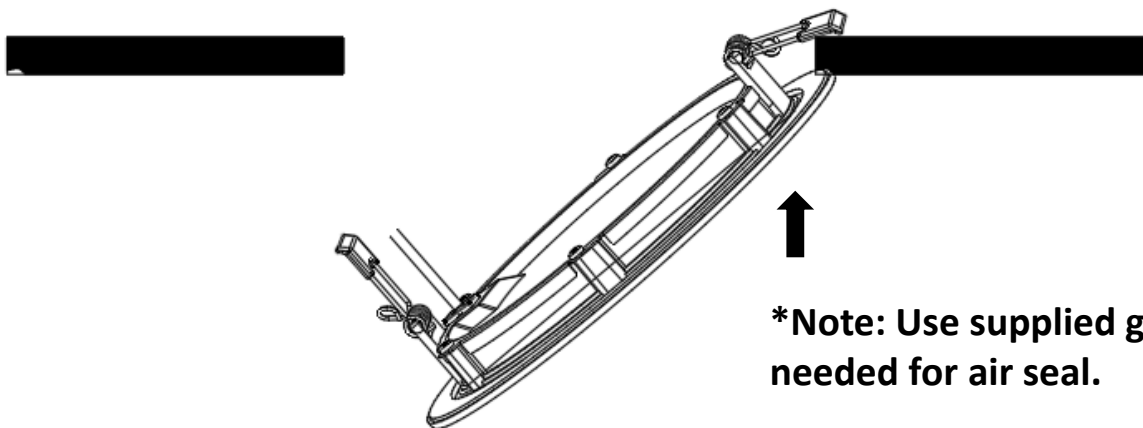
***Note: Select Lumen and Color settings (where provided) BEFORE installing the luminaire into the ceiling.**

IS-FD1R

Flat Downlight

STEP 9

Hold the luminaire to insert one spring through the ceiling hole and then bend the other spring upward to insert it through the hole.



***Note: Use supplied gasket when needed for air seal.**

WARNING Risk of Fire - Be careful not to crush or cut cord when routing cord from driver to luminaire

