

The Gardco SSA Square Straight Aluminum pole consists of a one-piece square extruded aluminum lighting standard mounted to a cast aluminum base. The poles are finished with either Architectural Class 1 anodizing or electrostatically applied TGIC polyester powdercoat.

Project: _____
 Location: _____
 Cat.No: _____
 Type: _____
 Lamps: _____ Qty: _____
 Notes: _____

Ordering Guide

example: SSA4-CB-18L-D1-BLP

Prefix	Base	Height ¹	Drilling ²	Finish	Options
SSA4	CB	8	D1 1 Way	BRP Bronze Paint	DR Duplex Receptacle GFCI Ground Fault Receptacle VDA Vibration Dampener AHH Additional Hand Hole <small>For DR, GFCI, and AHH options indicate height above base and orientation to original hand hole. See Pole Orientation Information on Page 5.</small> Nipples and Couplings CL1/2 Coupling - Internal Thread 1/2" CL3/4 Coupling - Internal Thread 3/4" CL1 Coupling - Internal Thread 1" CL1-1/4 Coupling - Internal Thread 1-1/4" CL1-1/2 Coupling - Internal Thread 1-1/2" NL1/2 Nipple - External Thread 1/2" NL3/4 Nipple - External Thread 3/4" NL1 Nipple - External Thread 1" NL1-1/4 Nipple - External Thread 1-1/4" NL1-1/2 Nipple - External Thread 1-1/2" <small>Indicate height above base and orientation to hand hole. See Pole Orientation Information on Page 5.</small> Single Mount Bullhorn Brackets A15BH-19 Single - 1.9" OD ³ A15BH-24 Single - 2.4" OD A215BH-19 2-Tenon - 1.9" OD ³ A215BH-24 2-Tenon - 2.4" OD <small>Indicate height above base and orientation to hand hole. See Pole Orientation Information on Page 5.</small> Additional and alternative brackets and accessories available. Refer to the Signify product catalog (eCat) website for more information.
		10	D2 2 Way at 120°	BLP Black Paint	
		12	D2@90 2 Way at 90°	WP White Paint	
		15	D3 3 Way at 90°	MGY Medium Grey	
		18L	D4 4 Way	DGY Dark Grey Paint	
		18H	T2 2-3/8" OD Tenon X 4" long	BRA Bronze Anodized Paint	
		20L	T3 3" OD Tenon X 4" long	BLA Black Anodized Paint	
20H	T4 4" OD Tenon X 6" long	NA Natural Anodized Paint			
SSA5		18	P Plain Top	OC Optional Color Paint	
		20	(No Drilling/No Tenon)	(Specify RAL designation ex: OC-RAL7024)	
		25		SC Special Color Paint	
SSA6		20		(Specify. Must supply color chip.)	
		25			
		28			
SSA6.75		30			
		30			

Enter the order code into the appropriate box above. Note: Gardco reserves the right to refuse a configuration. Not all combinations and configurations are valid. Refer to notes below for exclusions and limitations. For questions or concerns, please consult the factory.

- Refers to steel base tenon size (length and thickness) based on wind load factors. L = Light M = Medium H = Heavy
- Standard poles are drilled in factory for compatibility with Signify luminaires only (D* options). For non-Signify-brand luminaires, select the P drilling option.
- For Gardco DFL7/DFC7 only

Anchor Bolts for Gardco SSA-CB Poles, ordered separately:

	Pole Type	12NC for ordering	Description (in inches)
For Pre-ship service (Order 4 per pole)	4" and 5" Poles	912400215786	0.75 x 18 x 3.75
	6" and 6.75" Poles	912400215784	1 x 36 x 4.5
For shipment with the pole (Order 1 per pole)	4" and 5" Poles	912400207384	0.75 x 18 x 3.75
	6" and 6.75" Poles	912400200208	1 x 36 x 4.5

Poles Straight Square Aluminum – Cast Base

Pole Data

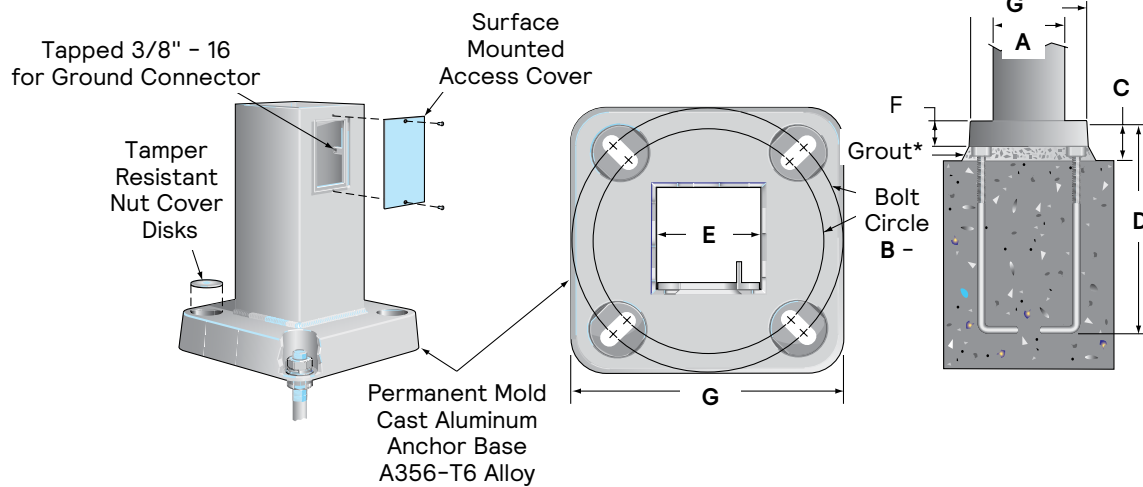
Product Catalog Number	Pole Specs				Anchor Bolt Data ²		
	Height (ft)	Pole Diameter (inches)	Wall Thickness (inches)	Structure Weight (lbs)	Bolt Circle (inches)	Bolt Size (inches)	Max Proj. (inches)
SSA4-CB-8	8	4	0.125	24	8.5 - 9.625	0.75 x 18 x 3.75	3.125
SSA4-CB-10	10	4	0.125	28	8.5 - 9.625	0.75 x 18 x 3.75	3.125
SSA4-CB-12	12	4	0.125	33	8.5 - 9.625	0.75 x 18 x 3.75	3.125
SSA4-CB-15	15	4	0.125	39	8.5 - 9.625	0.75 x 18 x 3.75	3.125
SSA4-CB-18L	18	4	0.125	46	8.5 - 9.625	0.75 x 18 x 3.75	3.125
SSA4-CB-18H	18	4	0.188	66	8.5 - 9.625	0.75 x 18 x 3.75	3.125
SSA4-CB-20L	20	4	0.125	51	8.5 - 9.625	0.75 x 18 x 3.75	3.125
SSA4-CB-20H	20	4	0.188	73	8.5 - 9.625	0.75 x 18 x 3.75	3.125
SSA5-CB-18	18	5	0.188	85	10.5 - 11.5	0.75 x 18 x 3.75	3.125
SSA5-CB-20	20	5	0.188	93	10.5 - 11.5	0.75 x 18 x 3.75	3.125
SSA5-CB-25	25	5	0.188	115	10.5 - 11.5	0.75 x 18 x 3.75	3.125
SSA6-CB-20	20	6	0.188	114	12.0 - 13.0	1 x 36 x 4.5	3.25
SSA6-CB-25	25	6	0.188	139	12.0 - 13.0	1 x 36 x 4.5	3.25
SSA6-CB-28	28	6	0.25	216	12.0 - 13.0	1 x 36 x 4.5	3.25
SSA6-CB-30	30	6	0.25	216	12.0 - 13.0	1 x 36 x 4.5	3.25
SSA6.75-CB-30	30	6.75	0.25	250	14.125 - 15.125	1 x 36 x 4.5	4.25

Catalog Number	High Wind		Normal Wind Conditions					
	110 MPH		100 MPH		90 MPH		80 MPH	
Prefix	EPA ft ²	Max Weight (lbs)	EPA ft ²	Max Weight (lbs)	EPA ft ²	Max Weight (lbs)	EPA ft ²	Max Weight (lbs)
SSA4-CB-8	8.7	350	10.9	350	14.0	350	18.2	350
SSA4-CB-10	6.2	260	8.0	260	10.5	260	13.9	260
SSA4-CB-12	4.2	260	5.7	260	7.7	260	10.6	260
SSA4-CB-15	1.6	200	2.6	200	3.8	200	5.7	200
SSA4-CB-18L	n/a	100	n/a	100	2.1	100	3.6	100
SSA4-CB-18H	1.8	150	3.0	150	4.6	150	6.8	150
SSA4-CB-20L	n/a	150	n/a	150	n/a	150	2.1	150
SSA4-CB-20H	n/a	150	1.7	150	3.1	150	5.2	150
SSA5-CB-18	4.4	260	6.4	260	9.0	260	12.7	260
SSA5-CB-20	2.9	150	4.7	150	7.1	150	10.5	150
SSA5-CB-25	n/a	100	1.0	100	3.0	100	5.6	100
SSA6-CB-20	9.7	150	13.2	150	17.8	150	24.3	150
SSA6-CB-25	4.3	260	7.0	260	10.7	260	15.8	260
SSA6-CB-28	n/a	260	2.0	260	4.8	260	8.6	260
SSA6-CB-30	n/a	260	2.0	260	4.8	260	8.6	260
SSA6.75-CB-30	1.7	260	4.4	260	8.0	260	13.0	260

- Warning:** Additional wind loading, in terms of EPA, from banners, cameras, floodlights and other accessories attached to the pole, must be added to the luminaire(s) EPA before selecting the pole with the appropriate wind load capability.
- Factory supplied template must be used when setting anchor bolts. Gardco will not honor any claim for incorrect anchorage placement resulting from failure to use factory supplied templates.

Poles Straight Square Aluminum – Cast Base

Dimensions



	SSA4	SSA5	SSA6	SSA6.75
A	4"	5"	6"	6.75"
B	8.5" to 9.625"	10.5" to 11.5"	12" to 13"	14 1/8" to 15 1/8"
C	3.125"	3.25"	3.25"	4.25"
D	3/4 x 17	3/4 x 17	1" x 36"	1" x 36"
E	3.5"	4.5"	5.50"	6.25"
F	2"	2.5"	2.75"	3.50"
G	9.94"	11.56"	12.75"	14.50"

* Grouting should include a drainage slot or tube (by others) to permit water to drain from the base of the pole. Failure to provide drainage may weaken the pole base structure over time and may result in pole base failure, for which Gardco is not responsible.

NOTE: Factory supplied template must be used when setting anchor bolts. Gardco will not honor any claim for incorrect anchorage placement from failure to use factory supplied templates.

Poles Straight Square Aluminum – Cast Base

Specifications

All aluminum alloys shall comply with metallurgical and mechanical properties set forth in the Aluminum Association Standards.

POLE SHAFT

The shaft shall be from all new seamless 6000 series extruded aluminum tubing. The shaft shall be longitudinally polished, resulting in a high quality brushed finish. After finishing, each pole shall be fully tire-wrapped with neutral PH krinkle/kraft paper for protection in shipment..

ANCHOR BASE

The anchor base shall be a permanent mold casting from A356 alloy aluminum. The shaft shall be inserted into the base casting and joined by

a continuous circumferential weld at the inside bottom of the anchor base. The completed assembly shall be heat treated to a T6 temper after all structural welding has been completed. The anchor bolt recesses in the anchor base casting shall be flush covered by four (4) tamper resistant aluminum nut cover disks.

ANCHOR BOLTS

Anchor bolts are fabricated from a commercial quality hot rolled carbon steel bar that meets or exceeds a minimum guaranteed yield strength of 50,000 psi. Bolts have an “L” bend on one end and threaded on the opposite end. Anchor bolts are completely hot dipped galvanized. Four (4) properly

sized bolts, each furnished with two (2) regular hex nuts and two (2) flat washers, are provided per pole as an accessory, unless otherwise specified.

DRILLING

Standard poles are drilled in factory for compatibility with Signify luminaires, optional brackets, and accessories. Signify is not liable for damage caused by unauthorized attachments, alterations, or modifications. If luminaires are to be supplied by others, Signify/Gardco/Stonco is not responsible for pole compatibility with luminaires, structural integrity of the pole or wind load requirements.

HAND HOLE

All poles shall include a peripherally reinforced surface mounted covered hand hole centered 12" to 18" above the bottom of the pole. The opening shall measure 2" x 4" or 2.5" x 4".

POLE TOP CAP

Each pole assembly is provided with a removable composite friction-fit pole top cap.

FINISH

Poles are Aluminum Association Architectural Class 1 anodized finished. Electrostatically applied, thermally cured TGIC polyester powdercoat finish is also available.

General Pole Information

DESIGN

The poles as charted are designed to withstand dead loads and predicted dynamic loads developed by variable wind speeds with an additional 30% gust factor under the following conditions:

The charted weights include luminaire(s) and/or mounting bracket(s).

The wind velocities are based on 10 mph increments from 80 mph through 110 mph. Poles to be located in areas of known abnormal conditions may require special consideration. For example: coastal areas, airports and areas of special winds.

Poles are designed for ground mounted applications. Poles mounted on structures (such as buildings and bridges) may also necessitate special consideration requiring Gardco's recommendation.

Height correction factors and drag coefficients are applied to the entire structure. An appropriate safety factor is maintained based on the minimum yield strength of the material incorporated in the pole.

WARNING

This design information is intended as a general guideline only. The customer is solely responsible for proper selection of pole, luminaire, accessory and foundation under the given site conditions and intended usage. The addition of any items to the pole, in addition to the luminaire, will dramatically impact the EPA load on that pole. It is strongly recommended that a qualified professional be consulted to analyze the loads given the user's specific needs to ensure proper selection of the pole,

luminaire, accessories, and foundation. Gardco assumes no responsibility for such proper analysis or product selections. Failure to insure proper site analysis, pole selection, loads and installation can result in pole failure, leading to serious injury or property damage.

GENERAL INFORMATION

Mounting height is the vertical distance from the base of the lighting pole to the center of the luminaire arm at the point of luminaire attachment. PE digitally stamped pole calculations are available on Gardco Site and Area poles upon request for an additional charge. Detailed project and installation information is required to fulfill this service. For more information, consult the factory.

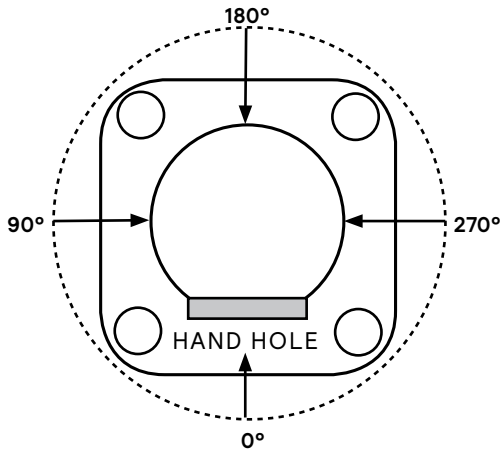
WARRANTY

Gardco poles feature a 1 year limited warranty. See Warranty Information on www.signify.com/warranties for complete details and exclusions.

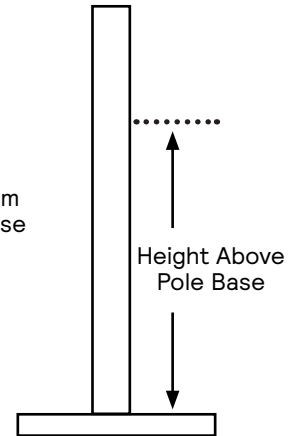
Poles Straight Square Aluminum - Cast Base

Orientation Information

Factory installed options and accessories



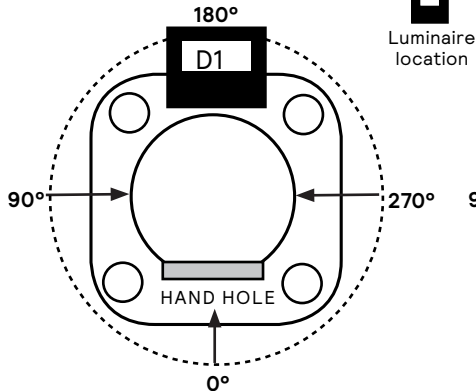
For Factory Installed Options and Accessories, Specify Orientation from Hand Hole and Height Above Pole Base Where Required.



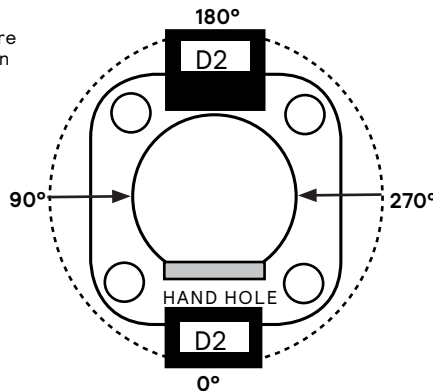
Orientation is measured clockwise from the Hand Hole Center.

Standard arm mount luminaire orientation

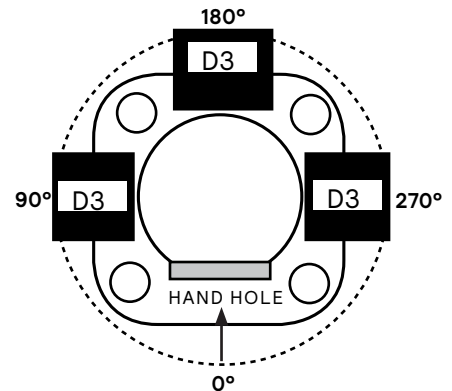
D1 Drilled for Single Luminaire



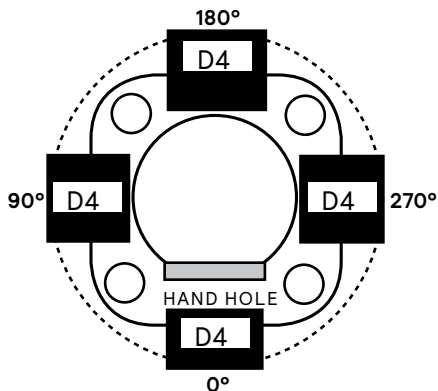
D2 Drilled for 2 Luminaires at 180°



D3 Drilled for 3 Luminaires @ 90°



D4 Drilled for 4 Luminaires at 90°



D2@90 Drilled for 2 Luminaires at 90°

