



**BoldFlood LED Track Heads** are designed for energy savers looking to maintain high quality performance and rich color saturation from an aesthetic track luminaire. It is available in 2000lm and 4000lm with great efficacy.

Complete unit = Fixture + Optional Accessories

Project: \_\_\_\_\_  
 Location: \_\_\_\_\_  
 Cat.No: \_\_\_\_\_  
 Type: \_\_\_\_\_  
 Qty: \_\_\_\_\_  
 Notes: \_\_\_\_\_

### Fixture

example: LWW20930H

Series	Adapter	Lumens	CRI/CCT	Finishes
<b>LWW</b>				
<b>LWW</b> BoldFlood Track Heads	— Lightolier	<b>20</b> 2000lm	<b>927</b> 90 CRI / 2700 K	<b>AL</b> Aluminum
	<b>H</b> Halo	<b>40</b> 4000lm	<b>930</b> 90 CRI / 3000 K	<b>BK</b> Black (matte)
	<b>J</b> Juno		<b>935</b> 90 CRI / 3500 K	<b>WH</b> White (matte)
			<b>940</b> 90 CRI / 4000 K	

### Accessories

example: 81LV4

Series	Description
<b>81LV4</b>	Hex cell louver (matte black only)
<b>81VZ4</b>	Visor (matte black only)

### Features

- LED Board:** CoB LED
- Integrated heat sink:** Die cast aluminum effectively cools LEDs providing a minimum 50,000 hour lifetime at 70% lumen maintenance.
- Track attachment fitting:** Molded polycarbonate. Integral color in gray, black or white. Rotates into track and locks into place with the use of push tab.
- Push tab:** Molded polycarbonate. Locks and detaches unit.
- Movable brass contact:** Brass extends for connection to 2nd circuit (Advent track only).
- Ground contact:** Solid Brass.
- Driver Housing:** Extruded aluminum with die cast aluminum end caps.
- Pivot mounts:** Allows for 350° horizontal. Vertical rotation of +/- 90° from vertical aim to the floor.
- Finishes:** Powder coated.

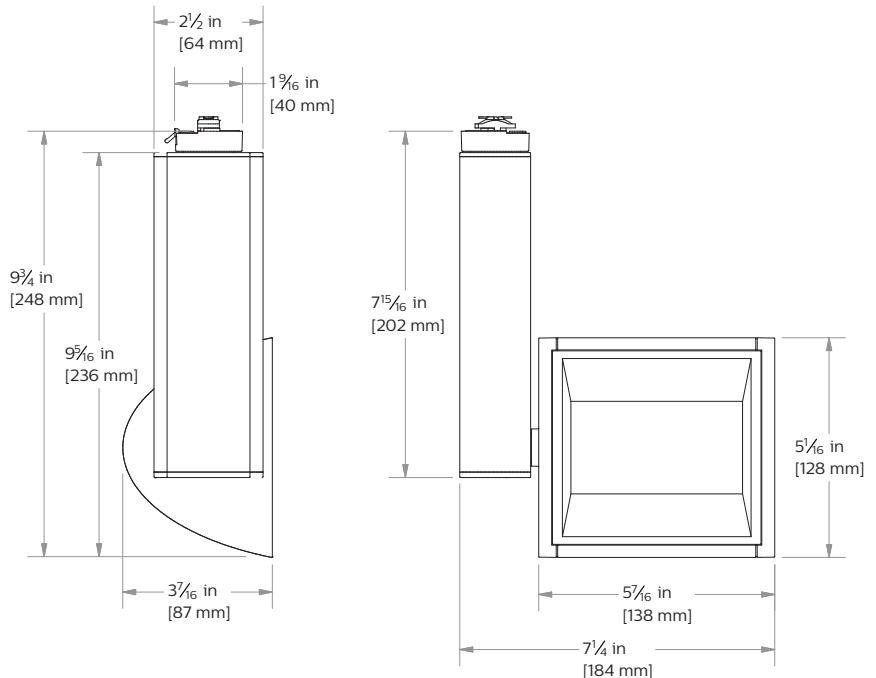
### Dimming

Lutron Diva **DVELV-300-P** 100-5%  
 Philips Sunrise **SR400RPC120** 100-4%  
 Lutron Maestro **MAELV-600-WH** 100-1%  
 Leviton Decora **6615-POW** 100-3%

### Electrical

<b>LWW20 series</b> Input voltage: 120V 60Hz Input Power: 23W Efficacy: 100 lm/W @ 3000K High power factor: >0.9 CRI: 90-95 (typical)	<b>LWW40 series</b> Input voltage: 120V 60Hz Input Power: 41W Efficacy: 95 lm/W @ 3000K High power factor: >0.9 CRI: 90-95 (typical)
--	---

### Dimensions



### Mounting

Compatible with LyteSpan Basic, Radius, Advent, Monopoint, Multipoint (no extension wands, ProSpec Track, or wall mounting).

### Labels

cULus Listed  
 5 year warranty  
 ENERGY STAR®



# LWW BoldFlood LED

## Track Heads (2000lm & 4000lm)

### Finishes



WH White (matte)



AL Aluminum

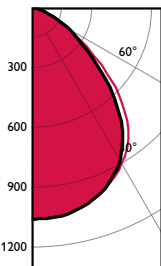
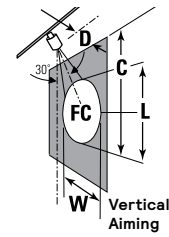
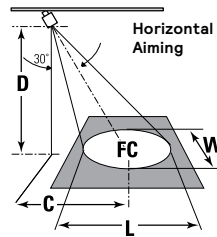


BK Black (matte)

### Aiming Angles

L and W are the outer points where the candle power drops to 50% of the maximum. FC are the initial footcandles at the center of the beam. Data shown is for 3000K, use the table on the right for CRI/CCT adjustment factors.

- D Distance
- L Beam length
- W Beam Width
- A Aiming Angle
- C Distance to center beam
- FC Footcandles
- CBCP Center Beam Candlepower



### 2000lm

Fixture: LWW20930WH

CCT <sup>1</sup> :	3000K
Output lumens:	2268 lms
Input watts <sup>2</sup> :	22.6 W
Efficacy:	100.4 lm/w
CRI:	90 min
CBCP:	1,060 cd

Beam Angle: 95° W x 90° L  
Report no: LWW20930W

#### 30° Aiming Angle

Horizontal Illuminance on floor

D	C	F.C.	L	W
6	3.5	19	24.0	15.1
8	4.6	11	32.0	20.2
10	5.8	7	40.0	25.2
12	6.9	5	48.0	30.2

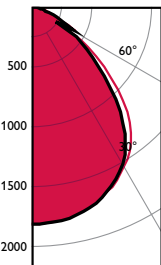
#### 30° Aiming Angle

Vertical Illuminance on floor

D	C	F.C.	L	W
2	1.2	172	8.0	8.7
3	1.7	76	12.0	13.1
4	2.3	43	16.0	17.5
5	2.9	28	20.0	21.8

#### Adjustment Factors

CRI	CCT	Multiplier
90	2700K	0.93
	3000K	1.00
	3500K	1.00
	4000K	1.08



### 4000lm

Fixture: LWW40930WH

CCT <sup>1</sup> :	3000K
Output lumens:	3852 lms
Input watts <sup>2</sup> :	40.4 W
Efficacy:	95.3 lm/w
CRI:	90 min
CBCP:	1,808 cd

Beam Angle: 96° W x 90° L  
Report no: LWW40930W

#### 30° Aiming Angle

Horizontal Illuminance on floor

D	C	F.C.	L	W
6	3.5	33	24.0	15.4
8	4.6	18	32.0	20.5
10	5.8	12	40.0	25.6
12	6.9	8	48.0	30.8

#### 30° Aiming Angle

Vertical Illuminance on floor

D	C	F.C.	L	W
2	1.2	294	8.0	8.9
3	1.7	130	12.0	13.3
4	2.3	73	16.0	17.8
5	2.9	47	20.0	22.2

#### Adjustment Factors

CRI	CCT	Multiplier
90	2700K	0.95
	3000K	1.00
	3500K	1.05
	4000K	1.08

1. Correlated Color Temperature within specs as defined in ANSI\_NEMA\_ANSI C78.377-2008: Specifications for the Chromaticity of Solid State Lighting Products.

2. Wattage controlled to within +/- 5%.

Note: Tested using absolute photometry as specified in LM79: IESNA Approved Method for the Electrical and Photometric Measurements of Solid-State Lighting Products.

