



by Signify

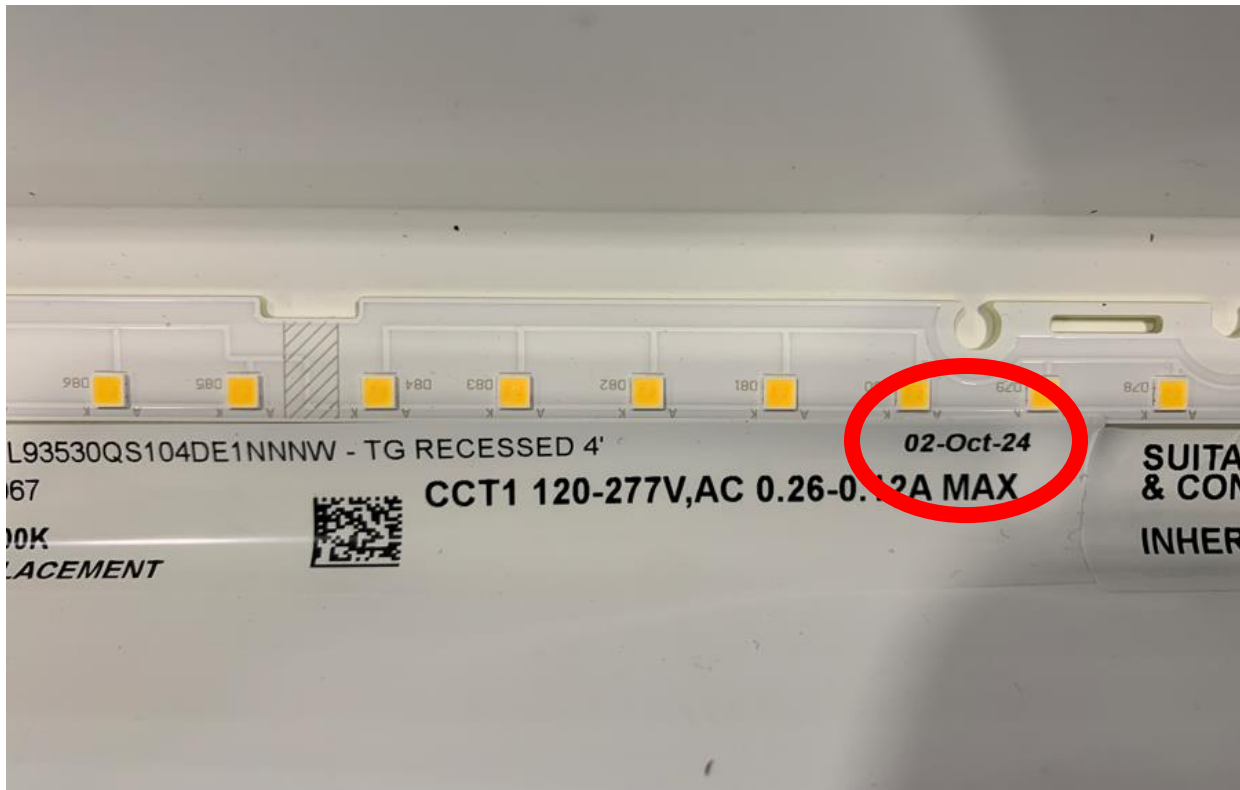
Linear

TruGroove Recessed

ID-39 T-Grid



Identify the fixture's manufacturing date based on the sticker on the reflector pan as shown below:



If manufacturing date is after 14-Oct-24, use Section 1 (page 2) of this document. For older fixtures, refer to Section 2 (page 9) of this document.



by  Signify

Linear

TruGroove Recessed

ID-39 T-Grid



Section 1



by Signify

Linear

TruGroove Recessed

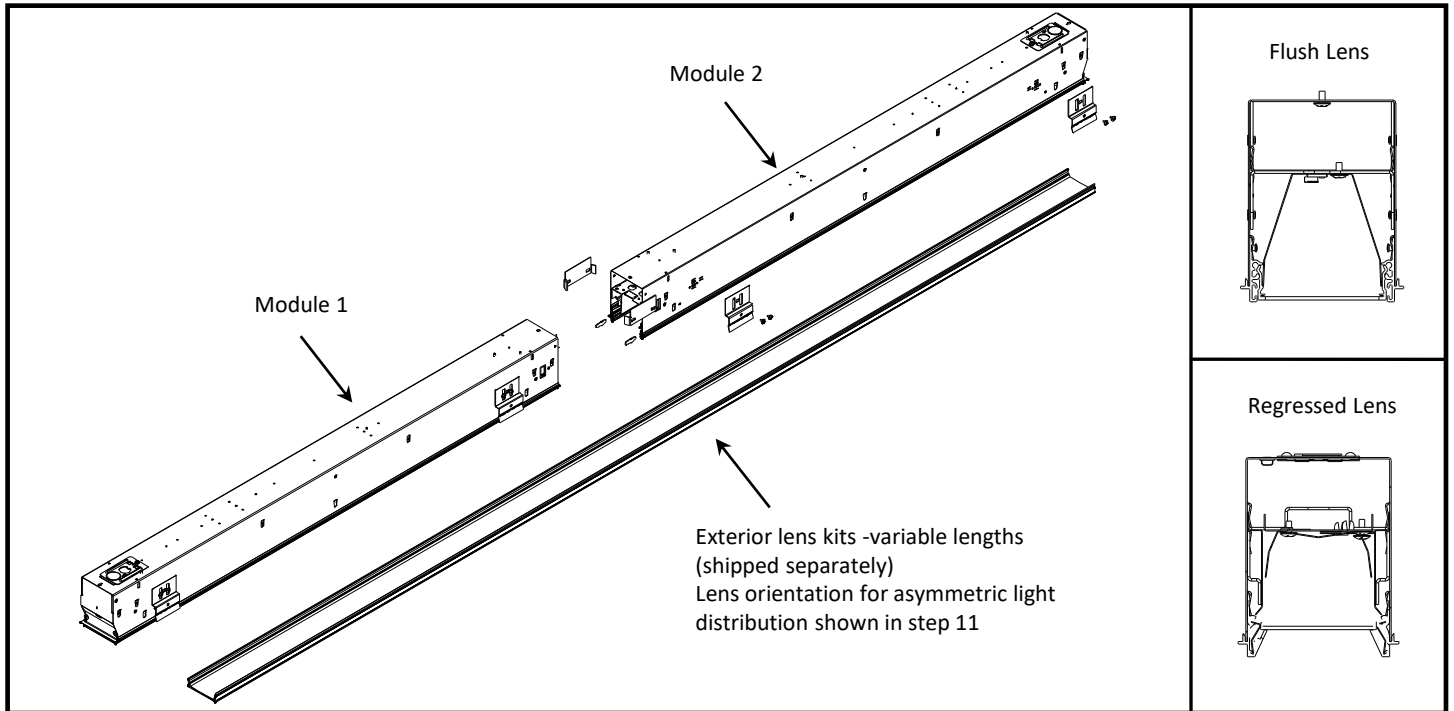
ID-39 T-Grid

Standalone or Continuous Run in T-Grid Ceiling System Overview



These instructions review how to install TruGroove recessed fixtures in T-Grid ceilings. Please refer to layout drawings supplied by Ledalite in conjunction with these installation instructions. The graphics below show the components required.

IMPORTANT: Read all instructions including fixture/sensor wiring AND mechanical details before beginning installation.



i Hanger Kit 390ZK01

- Bracket (x4)
- Screws (x8)

*NOTE:
One kit required per 4' fixture.

ii Flush Lens Joint Kit

iii Regressed Lens Joint Kit

*Note: One kit required for each joint. Joint kit type determined by flush or regressed lens. Tools: Phillips screwdriver, 5/16" Nut Driver

! ATTENTION: Install in accordance with local and national building and electric codes.

This equipment has been tested and found to comply with the limits for a Class A digital device, pursuant to part 15 of the FCC Rules. These limits are designed to provide reasonable protection against harmful interference when the equipment is operated in a commercial environment. This equipment generates, uses, and can radiate radio frequency energy and, if not installed and used in accordance with the instruction manual, may cause harmful interference to radio communications. Operation of this equipment in a residential area is likely to cause harmful interference in which case the user will be required to correct the interference at his own expense.

Important Notes

Warning, Shock Hazard

Fixture must be connected to building ground via the provided ground wire before connecting to mains power supply.

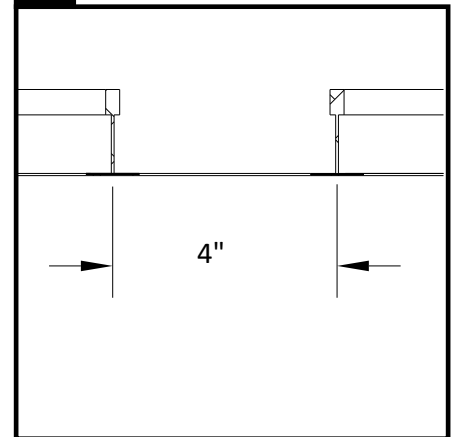
Disconnect or turn off power before attempting any installation, service or maintenance.



Prepare Fixtures

Arrange boxed fixtures on floor in specified mounting locations, based on supplied layout drawings.
 Remove fixtures from boxes.
 Remove plastic from fixtures.
 Match up each fixture and lens based on the spec tag and ID number labelled on each fixture box for the specified run.

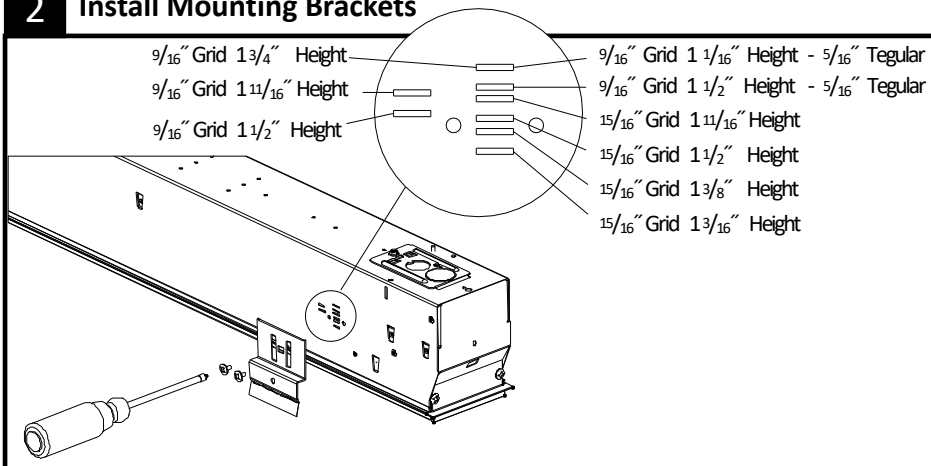
1 T-Grid



Install main T's, 4" on center. For continuous row lengths, refer to supplied layout drawings. Add 1/4" to the overall housing length indicated on your layout drawings. Position the cross T.

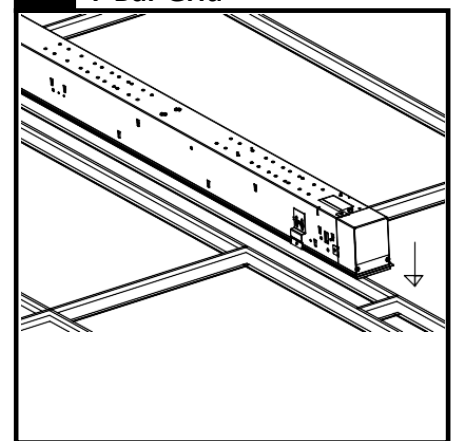
Install Fixtures

2 Install Mounting Brackets



Important: Install T-Grid mounting brackets to required height.

3 Install Fixture Above T-Bar Grid

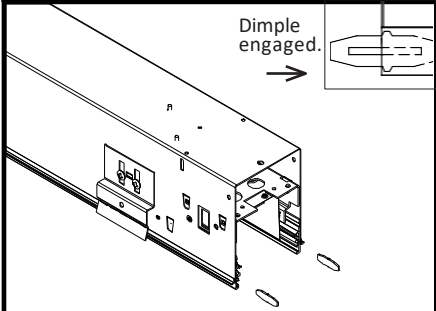


Install the first fixture (or Standalone Unit) from above the T-Bar Grid.

! **ATTENTION:** Install in accordance with local and national building and electric codes.

NOTE: For Standalone fixtures skip to step 7

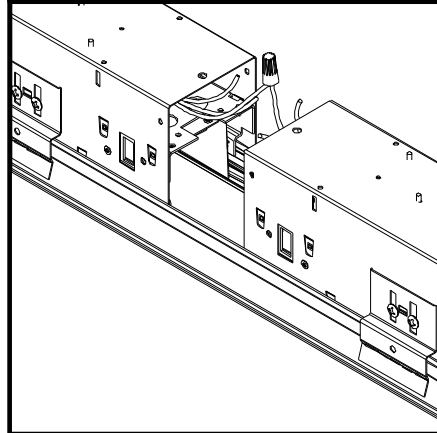
4 Install Joiner Aligners



At joint location(s), gently tap provided joiner aligners inside one module only. Two joiner aligners are required for each joint.

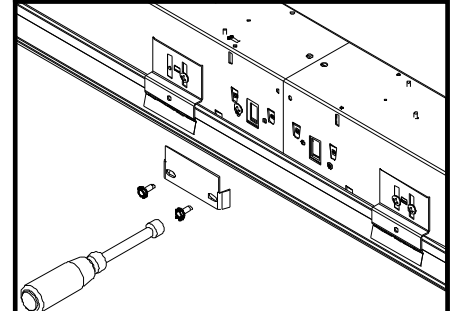
Important: To insert aligners, tap gently with a hammer until half is inserted into the joiner channel. Be sure to engage the dimple.

5 Complete Wiring and Connect Fixtures



Install the joiner fixture into the T-Bar Grid from above. Complete wiring and slide the fixtures together.

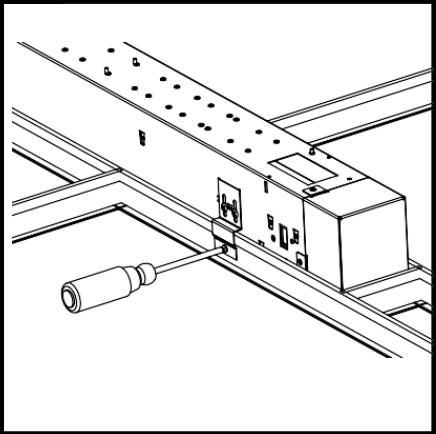
6 Install Joiner Brackets



Install joiner brackets on each side of the housing using supplied hardware.

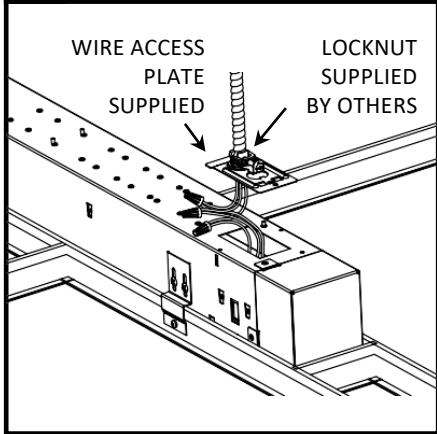
Important: Hand tighten bracket screws while supporting the housing on the opposite side. Gradually alternate sides while tightening. Do not over tighten.

7 Secure the Fixture



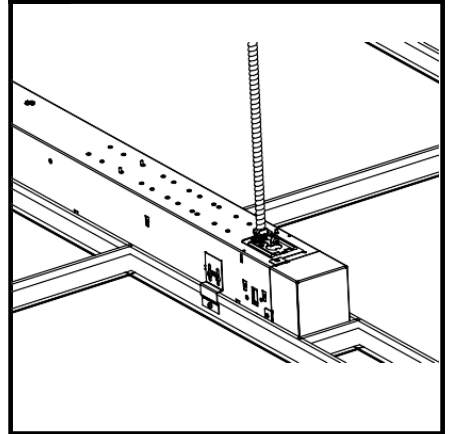
Secure the fixture hanger brackets to the T-Bar grid.
For continuous runs, finish installing run first and then secure to the T-Bar grid.

8 Install Power Drop



Install power drop at desired location. At the power location(s), remove factory installed wire cover. Feed power wires through. Complete all wiring connections.

9 Re-install Wire Cover

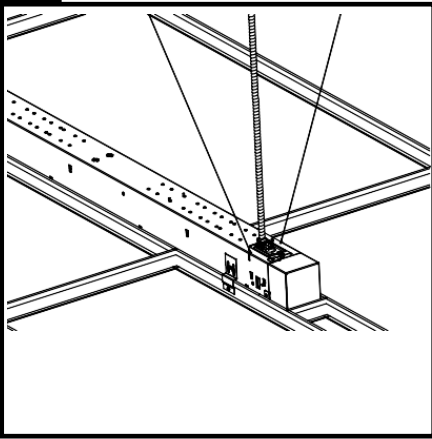


Re-install wire cover and slide to lock. Install screw.



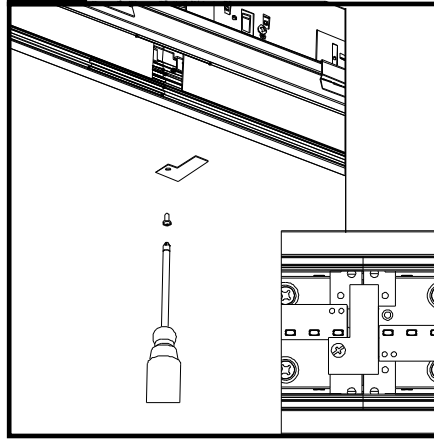
! ATTENTION: Install in accordance with local and national building and electric codes.

10 Install Seismic Restraints



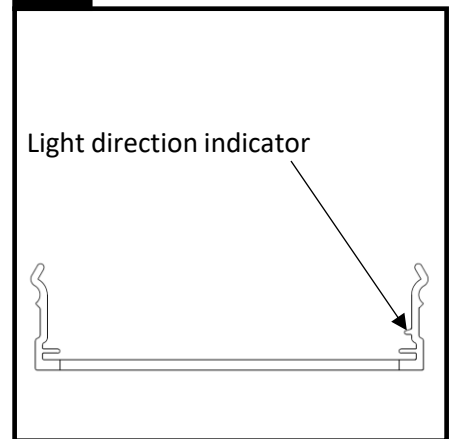
Install seismic restraints according to local building code requirements.

11 Secure Joint Cover
Regressed lens ONLY



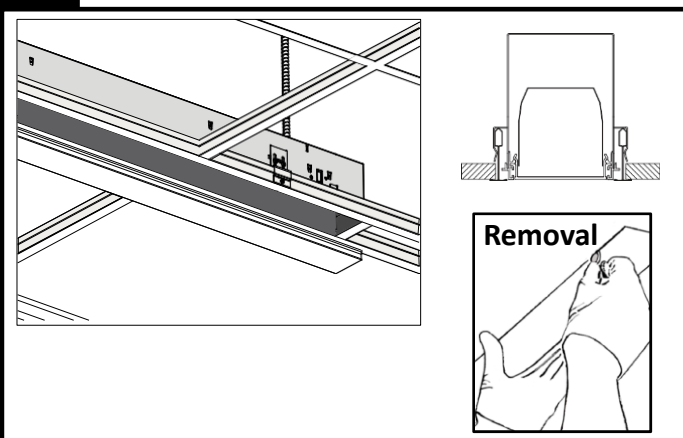
At joint location(s), secure joint covers using Philips screwdriver and supplied hardware. Ensure cover plates sit flush with bottom reflectors for proper LED board fit.

! Asymmetric Lens Orientation



Note the knob on the inside of the lens. The asymmetric film directs to light in the direction of the knob. Always install in the fixture in the direction shown on the layout drawings.

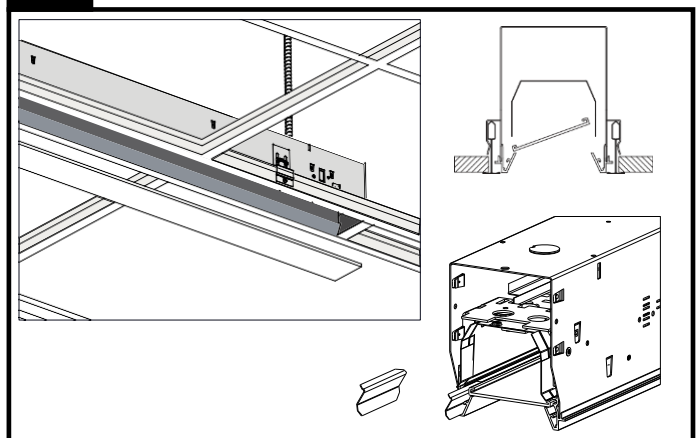
12a Flush Lens Installation and Removal



Flush Lens: Snap in lens into fixture.

Lens Removal: To remove snap-in lens for maintenance purposes, insert a flat, smooth edged object between lens and housing. Twist to release pressure and remove lens.

12b Regressed Lens Installation



Regressed Lens: Angle lens to insert into fixture. Lay lens on aluminum extrusion flange.

Ensure lens engages between lens retaining clips to prevent movement of lens.

NOTE: Please refer to layout drawing and match up each lens based on the ID number.

! **ATTENTION:** Install in accordance with local and national building and electric codes.

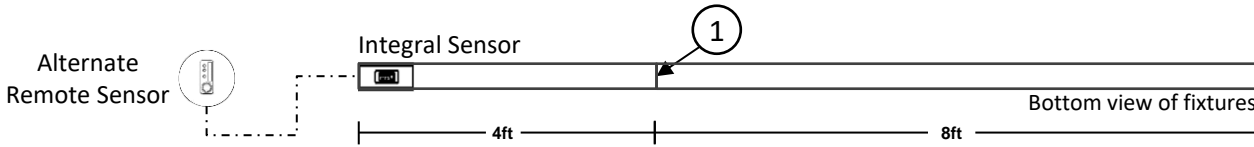
Sensors in Rows

Single Sensor Controlling Whole Row

1. Purple & brown (or purple & grey/pink) control wires **MUST** be connected between fixtures.

Note:

- A maximum of 8 drivers can be wired to one sensor; confirm fixture driver count with factory.

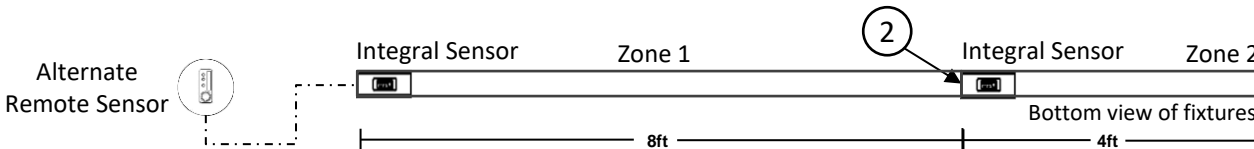


Multiple Sensors Controlling Separate Zones in a Row

2. Purple & brown (or purple & grey/pink) control wires **MUST NOT** be connected between zones.

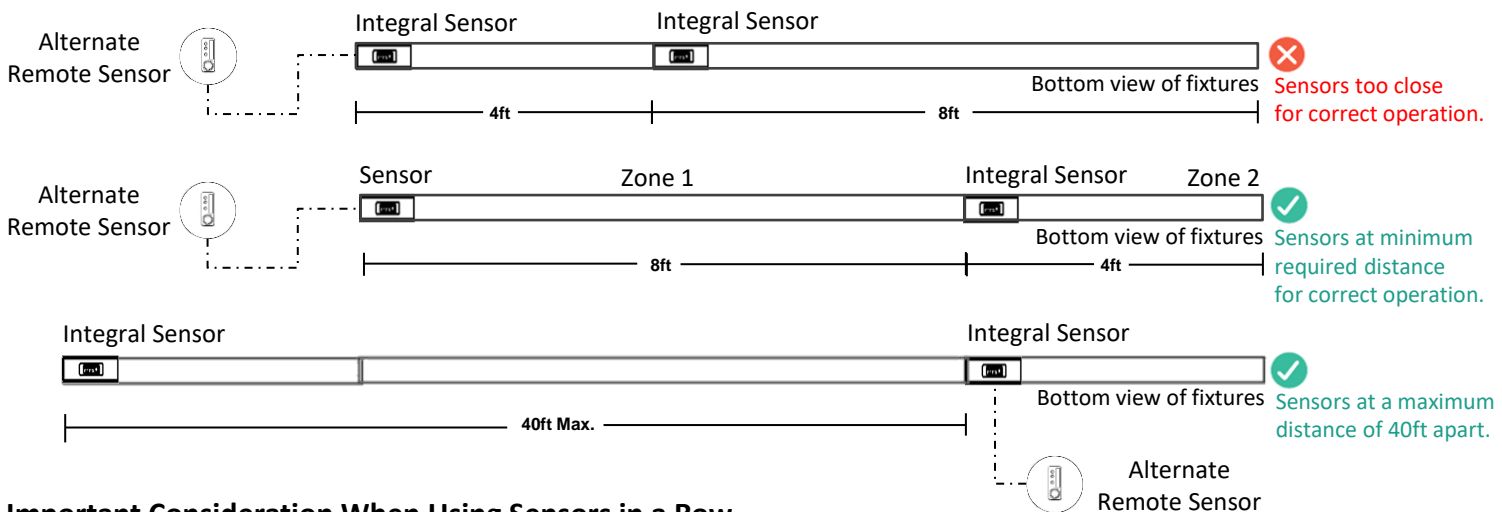
Notes:

- A maximum of 8 drivers can be wired to one sensor; confirm fixture driver count with factory.
- Only one sensor is allowed on a wired zone. (Sensors can be paired together wirelessly via a mobile app).



Sensor Spacing

- For correct operation, sensors should be placed a minimum distance of 8ft apart.
- Wireless sensors should be placed no further than 40ft apart for good wireless signal connection.



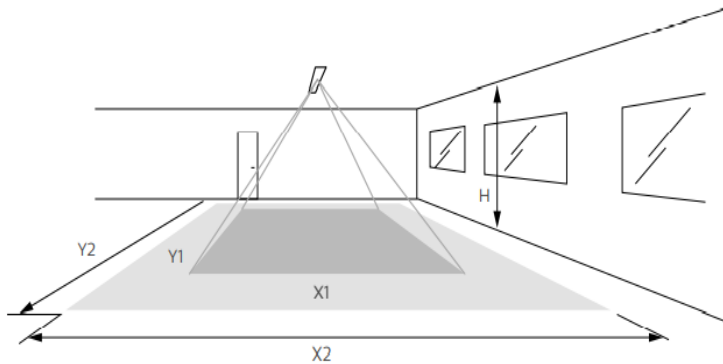
Important Consideration When Using Sensors in a Row

- For fixtures with wireless sensors (CS, SB or RA options):
 - DO NOT** connect fixture purple & brown (or purple & grey/pink) control wires to an external dimming switch. Fixture mains wiring should not be connected to a circuit with an external on/off switch.
- For best aesthetic condition, place sensors at ends of row only so as not to break the continuous lens.
- For better occupancy coverage in longer rows, sensors may be placed mid run, but keep in mind this will break the continuous lens into discrete sections. Alternatively, remote sensor may be used, note the same wiring rules will apply.

! ATTENTION: Install in accordance with local and national building and electric codes.

Occupancy Sensor Coverage:

Note: Longer dimension of detection area (Y1, Y2) is parallel to longer dimension of the luminaire.



Height	Minor movement		Major movement	
h	X1	Y1	X2	Y2
2.4 m (7.9 ft)	1.9 m (6.2 ft)	2.9 m (9.5 ft)	2.9 m (9.5 ft)	4.3 m (14.1 ft)
3 m (9.8 ft)	2.4 m (7.9 ft)	3.6 m (11.8 ft)	3.6 m (11.8 ft)	5.4 m (17.7 ft)

The detection area for the movement sensor can be roughly divided into two parts:

- Minor movement (person moving $\leq 3\text{ft/s}$ or 0.9m/s).
- Major movement (person moving $\geq 3\text{ft/s}$ or 0.9m/s).

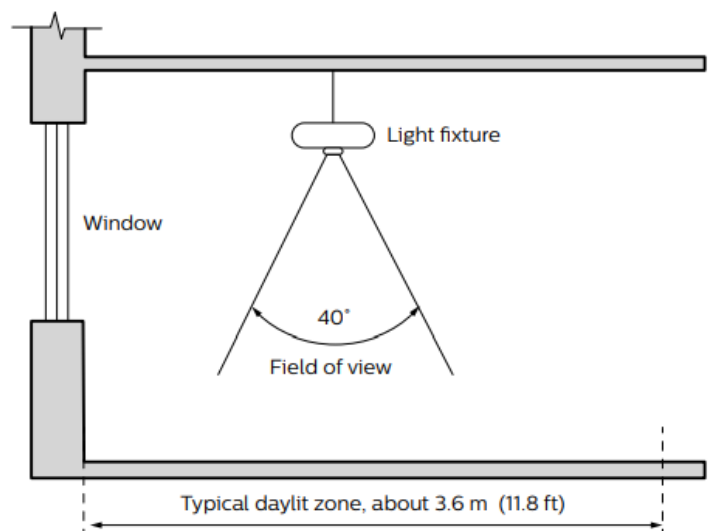
Daylight sensor

The light sensor measures the total amount of light in a circular field of approximately 80% of the PIR detection area. The following aspects should be observed during installation:

- Minimum distance from the window $\geq 2\text{ft}$ (0.6m).
- Prevent light reflections from outside entering the sensor (for example sunlight reflection on a car hood) as this will lead to incorrect light regulation.

As a guideline the formula $0.72 \times H$ can be used to calculate the minimum distance between the window and sensor whereby H is the height from the bottom of the window to the sensor.

Photosensor spatial response



! ATTENTION: Install in accordance with local and national building and electric codes.



© 2021 Signify Holding. All rights reserved. The information provided herein is subject to change, without notice. Signify does not give any representation or warranty as to the accuracy or completeness of the information included herein and shall not be liable for any action in reliance thereon. The information presented in this document is not intended as any commercial offer and does not form part of any quotation or contract, unless otherwise agreed by Signify.

Signify North America Corporation
400 Crossing Blvd, Suite 600
Bridgewater, NJ 08807
Telephone: 855-486-2216

Signify Canada Ltd.
281 Hillmount Road,
Markham, ON, Canada L6C 2S3
Telephone: 800-668-9008

All trademarks are owned by Signify Holding or their respective owners.



by  Signify

Linear

TruGroove Recessed

ID-39 T-Grid



Section 2



by Signify

Linear

TruGroove Recessed

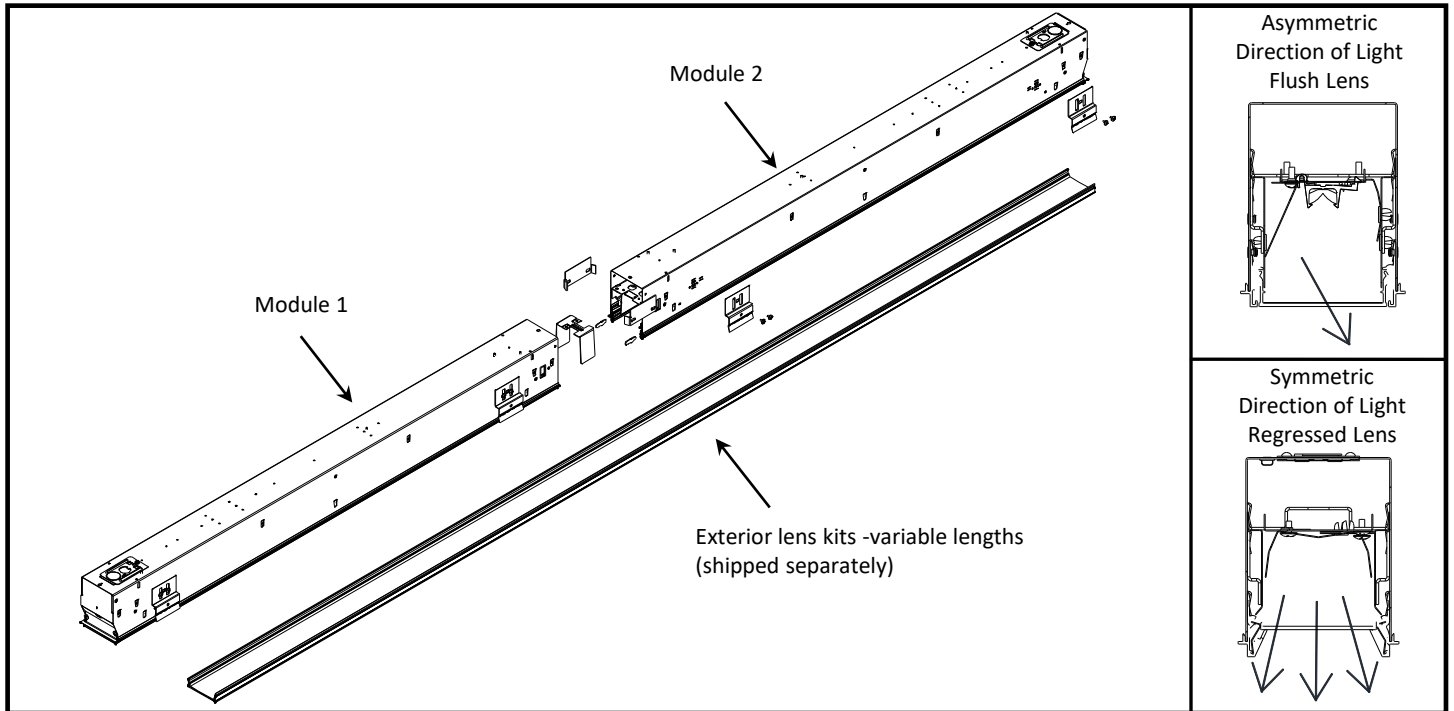
ID-39 T-Grid

Standalone or Continuous Run in T-Grid Ceiling System Overview



These instructions review how to install TruGroove recessed fixtures in T-Grid ceilings. Please refer to layout drawings supplied by Ledalite in conjunction with these installation instructions. The graphics below show the components required.

IMPORTANT: Read all instructions including fixture/sensor wiring AND mechanical details before beginning installation.



i Hanger Kit 390ZK01

- Bracket (x4)
- Screws (x8)

*NOTE:
One kit required per 4' fixture.

ii Joint Kit 390JK01*

Flush Lens & Symmetric Distribution

iii Joint Kit 390JK03*

Regressed Lens or Asymmetric Distribution

*Note: One kit required for each joint. Joint kit type determined by flush or regressed lens mounting and symmetric or asymmetric light distribution. Tools: Phillips screwdriver, 5/16" Nut Driver

! ATTENTION: Install in accordance with local and national building and electric codes.


This equipment has been tested and found to comply with the limits for a Class A digital device, pursuant to part 15 of the FCC Rules. These limits are designed to provide reasonable protection against harmful interference when the equipment is operated in a commercial environment. This equipment generates, uses, and can radiate radio frequency energy and, if not installed and used in accordance with the instruction manual, may cause harmful interference to radio communications. Operation of this equipment in a residential area is likely to cause harmful interference in which case the user will be required to correct the interference at his own expense.

Important Notes

⚠ Warning, Shock Hazard

Fixture must be connected to building ground via the provided ground wire before connecting to mains power supply.

Disconnect or turn off power before attempting any installation, service or maintenance.

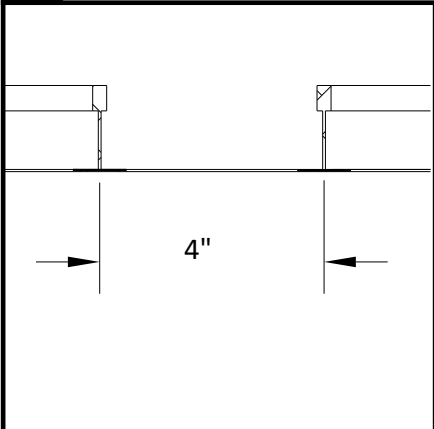


i Prepare Fixtures

Arrange boxed fixtures on floor in specified mounting locations, based on supplied layout drawings.

Remove fixtures from boxes. Remove plastic from fixtures. Match up each fixture and lens based on the spec tag and ID number labelled on each fixture box for the specified run.

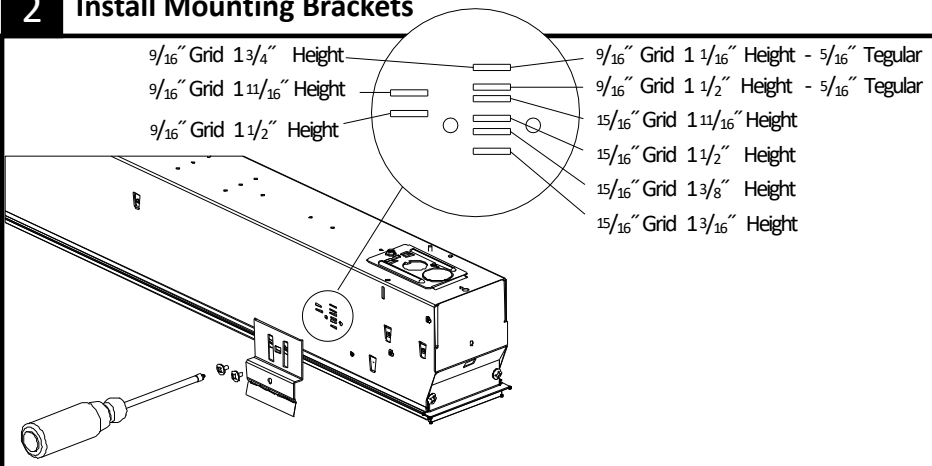
1 T-Grid



Install main T's, 4" on center. For continuous row lengths, refer to supplied layout drawings. Add 1/4" to the overall housing length indicated on your layout drawings. Position the cross T.

Install Fixtures

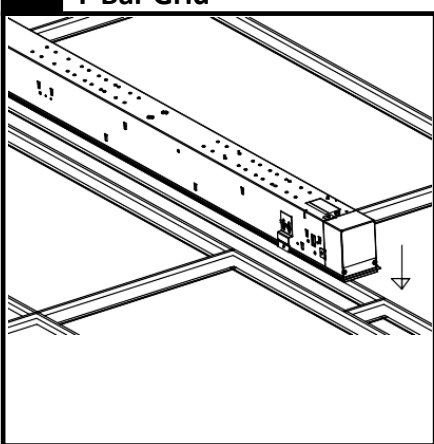
2 Install Mounting Brackets



- 9/16" Grid 1 3/4" Height
- 9/16" Grid 1 11/16" Height
- 9/16" Grid 1 1/2" Height
- 9/16" Grid 1 1/16" Height - 5/16" Tegular
- 9/16" Grid 1 1/2" Height - 5/16" Tegular
- 15/16" Grid 1 11/16" Height
- 15/16" Grid 1 1/2" Height
- 15/16" Grid 1 3/8" Height
- 15/16" Grid 1 3/16" Height

Important: Install T-Grid mounting brackets to required height.

3 Install Fixture Above T-Bar Grid

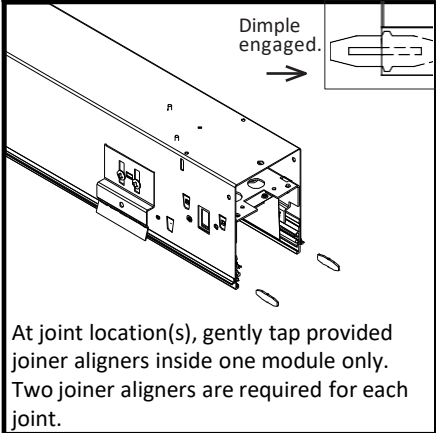


Install the first fixture (or Standalone Unit) from above the T-Bar Grid.

! **ATTENTION:** Install in accordance with local and national building and electric codes.

NOTE: For Standalone fixtures skip to step 7

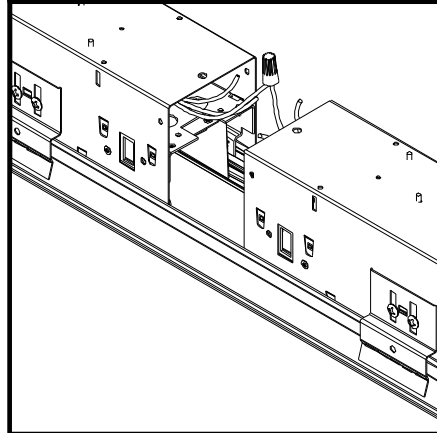
4 Install Joiner Aligners



At joint location(s), gently tap provided joiner aligners inside one module only. Two joiner aligners are required for each joint.

Important: To insert aligners, tap gently with a hammer until half is inserted into the joiner channel. Be sure to engage the dimple.

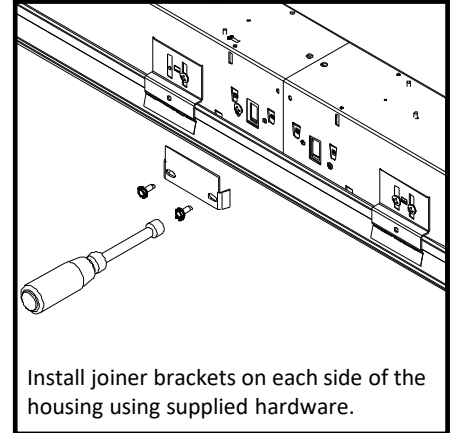
5 Complete Wiring and Connect Fixtures



Install the joiner fixture into the T-Bar Grid from above. Complete wiring and slide the fixtures together.

Install the joiner fixture into the T-Bar Grid from above. Complete wiring and slide the fixtures together.

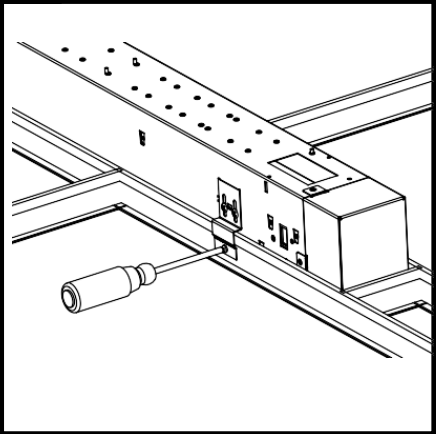
6 Install Joiner Brackets



Install joiner brackets on each side of the housing using supplied hardware.

Important: Hand tighten bracket screws while supporting the housing on the opposite side. Gradually alternate sides while tightening. Do not over tighten.

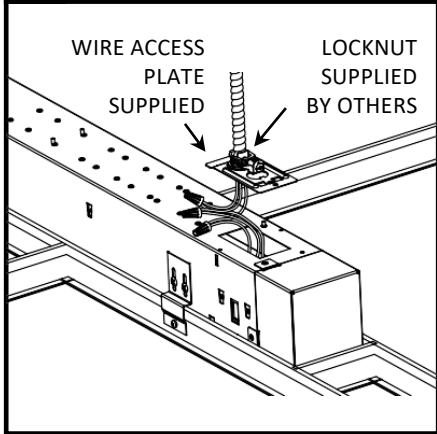
7 Secure the Fixture



Secure the fixture hanger brackets to the T-Bar grid.

Secure the fixture hanger brackets to the T-Bar grid. For continuous runs, finish installing run first and then secure to the T-Bar grid.

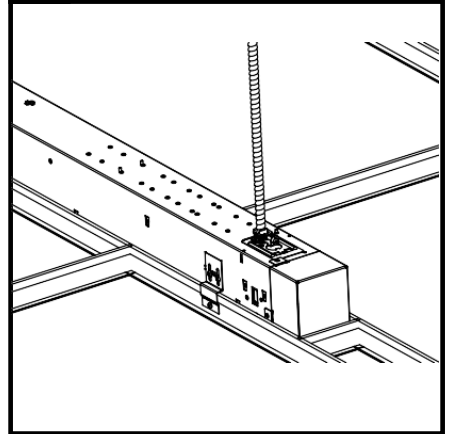
8 Install Power Drop



Install power drop at desired location. At the power location(s), remove factory installed wire cover. Feed power wires through. Complete all wiring connections.

Install power drop at desired location. At the power location(s), remove factory installed wire cover. Feed power wires through. Complete all wiring connections.

9 Re-install Wire Cover



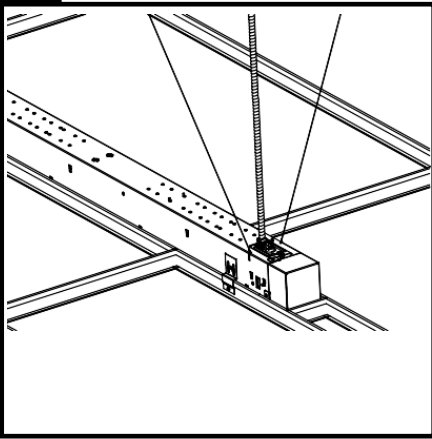
Re-install wire cover and slide to lock. Install screw.

Re-install wire cover and slide to lock. Install screw.



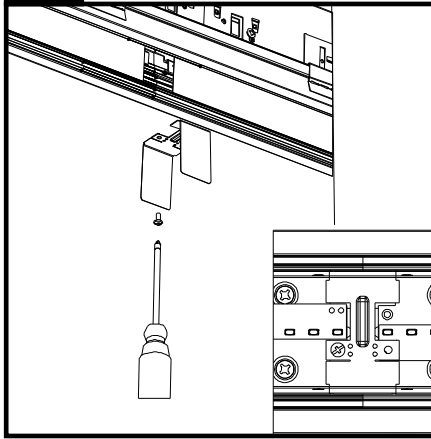
! ATTENTION: Install in accordance with local and national building and electric codes.

10 Install Seismic Restraints



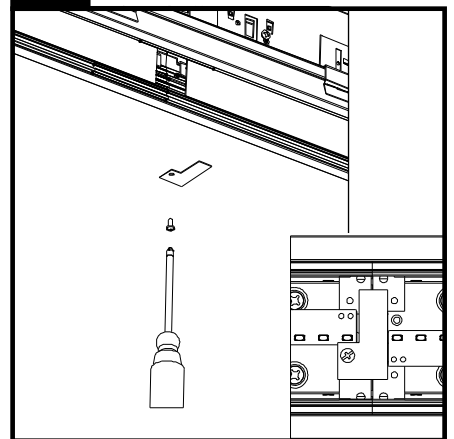
Install seismic restraints according to local building code requirements.

11a Secure Joint Cover
Flush lens and Symmetric



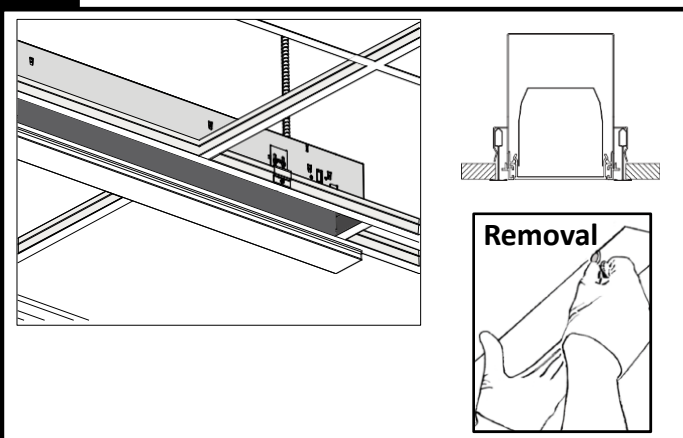
At joint location(s), secure joint covers using Philips screwdriver and supplied hardware. Ensure cover plates sit flush with bottom reflectors for proper LED board fit.

11b Secure Joint Cover
Regressed lens or Asymmetric



At joint location(s), secure joint covers using Philips screwdriver and supplied hardware. Ensure cover plates sit flush with bottom reflectors for proper LED board fit.

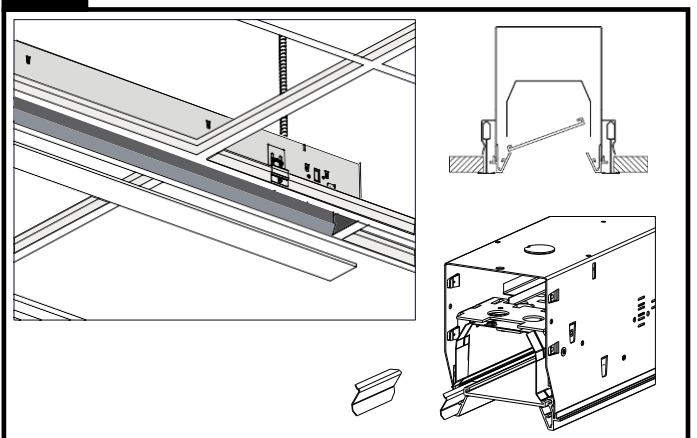
12a Flush Lens Installation and Removal



Flush Lens: Snap in lens into fixture.

Lens Removal: To remove snap-in lens for maintenance purposes, insert a flat, smooth edged object between lens and housing. Twist to release pressure and remove lens.

12b Regressed Lens Installation



Regressed Lens: Angle lens to insert into fixture. Lay lens on aluminum extrusion flange.

Ensure lens engages between lens retaining clips to prevent movement of lens.

NOTE: Please refer to layout drawing and match up each lens based on the ID number.

! **ATTENTION:** Install in accordance with local and national building and electric codes.

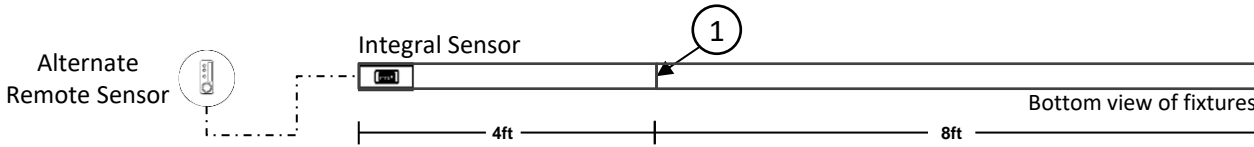
Sensors in Rows

Single Sensor Controlling Whole Row

1. Purple & brown (or purple & grey/pink) control wires **MUST** be connected between fixtures.

Note:

- A maximum of 8 drivers can be wired to one sensor; confirm fixture driver count with factory.

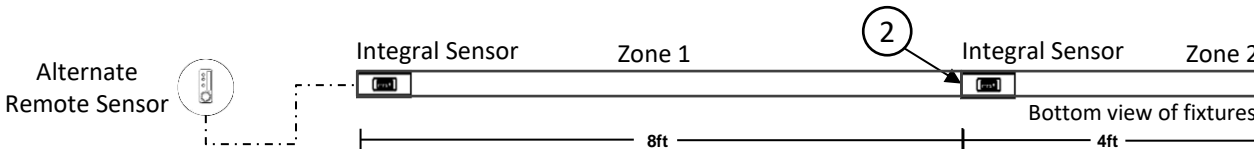


Multiple Sensors Controlling Separate Zones in a Row

2. Purple & brown (or purple & grey/pink) control wires **MUST NOT** be connected between zones.

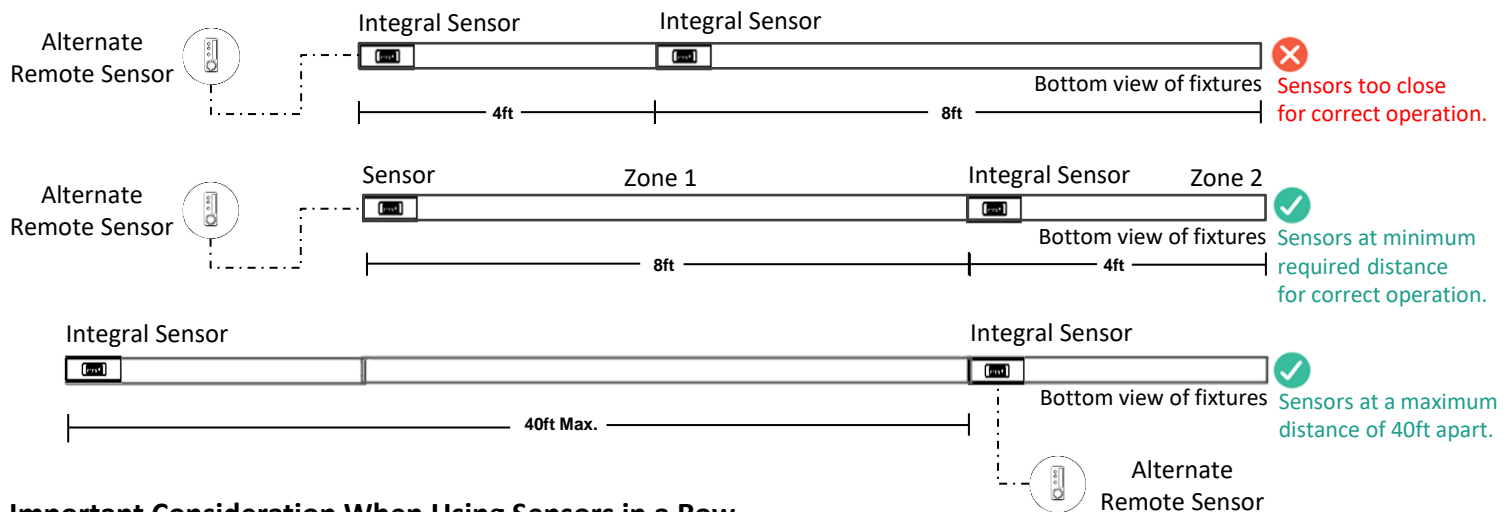
Notes:

- A maximum of 8 drivers can be wired to one sensor; confirm fixture driver count with factory.
- Only one sensor is allowed on a wired zone. (Sensors can be paired together wirelessly via a mobile app).



Sensor Spacing

- For correct operation, sensors should be placed a minimum distance of 8ft apart.
- Wireless sensors should be placed no further than 40ft apart for good wireless signal connection.



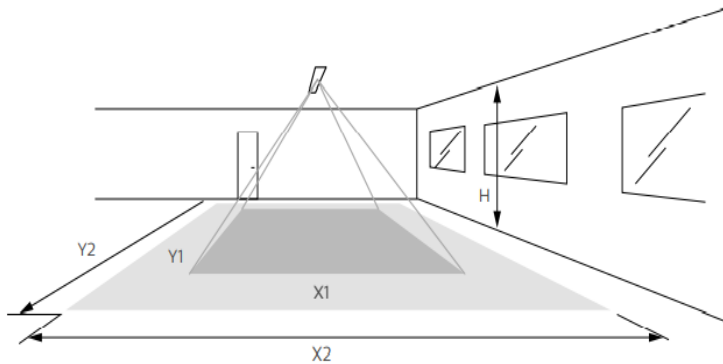
Important Consideration When Using Sensors in a Row

- For fixtures with wireless sensors (CS, SB or RA options):
DO NOT connect fixture purple & brown (or purple & grey/pink) control wires to an external dimming switch. Fixture mains wiring should not be connected to a circuit with an external on/off switch.
- For best aesthetic condition, place sensors at ends of row only so as not to break the continuous lens.
- For better occupancy coverage in longer rows, sensors may be placed mid run, but keep in mind this will break the continuous lens into discrete sections. Alternatively, remote sensor may be used, note the same wiring rules will apply.

! ATTENTION: Install in accordance with local and national building and electric codes.

Occupancy Sensor Coverage:

Note: Longer dimension of detection area (Y1, Y2) is parallel to longer dimension of the luminaire.



Height	Minor movement		Major movement	
h	X1	Y1	X2	Y2
2.4 m (7.9 ft)	1.9 m (6.2 ft)	2.9 m (9.5 ft)	2.9 m (9.5 ft)	4.3 m (14.1 ft)
3 m (9.8 ft)	2.4 m (7.9 ft)	3.6 m (11.8 ft)	3.6 m (11.8 ft)	5.4 m (17.7 ft)

The detection area for the movement sensor can be roughly divided into two parts:

- Minor movement (person moving $\leq 3\text{ft/s}$ or 0.9m/s).
- Major movement (person moving $\geq 3\text{ft/s}$ or 0.9m/s).

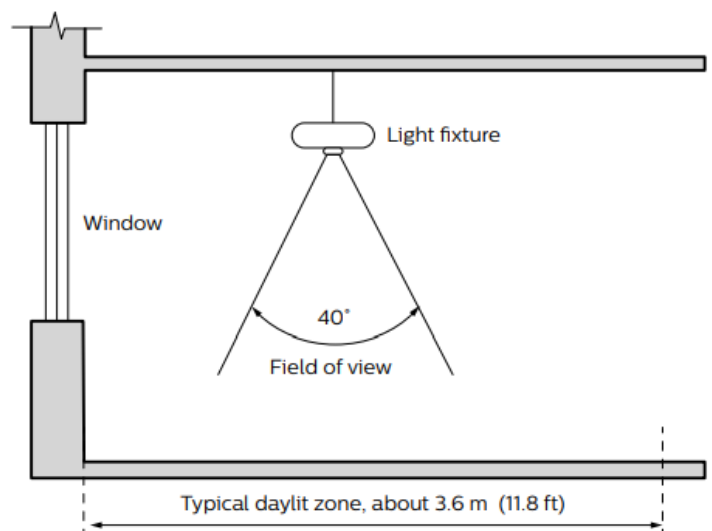
Daylight sensor

The light sensor measures the total amount of light in a circular field of approximately 80% of the PIR detection area. The following aspects should be observed during installation:

- Minimum distance from the window $\geq 2\text{ft}$ (0.6m).
- Prevent light reflections from outside entering the sensor (for example sunlight reflection on a car hood) as this will lead to incorrect light regulation.

As a guideline the formula $0.72 \times H$ can be used to calculate the minimum distance between the window and sensor whereby H is the height from the bottom of the window to the sensor.

Photosensor spatial response



! ATTENTION: Install in accordance with local and national building and electric codes.



© 2021 Signify Holding. All rights reserved. The information provided herein is subject to change, without notice. Signify does not give any representation or warranty as to the accuracy or completeness of the information included herein and shall not be liable for any action in reliance thereon. The information presented in this document is not intended as any commercial offer and does not form part of any quotation or contract, unless otherwise agreed by Signify.

Signify North America Corporation
400 Crossing Blvd, Suite 600
Bridgewater, NJ 08807
Telephone: 855-486-2216

Signify Canada Ltd.
281 Hillmount Road,
Markham, ON, Canada L6C 2S3
Telephone: 800-668-9008

All trademarks are owned by Signify Holding or their respective owners.