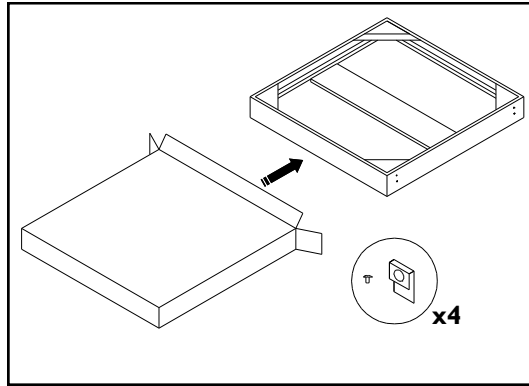
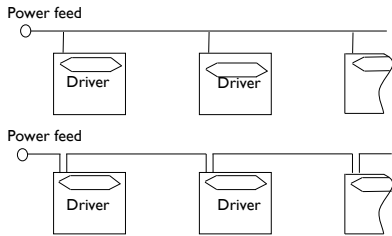


### 1 Prepare fixtures

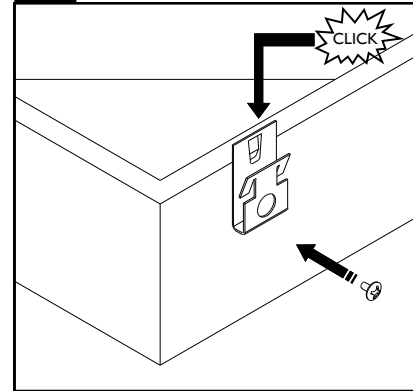
Arrange boxed fixtures on the floor in specified mounting locations; remove fixtures and hardware from boxes.

**NOTE:** Leave the cardboard spacers and protective film installed until complete.



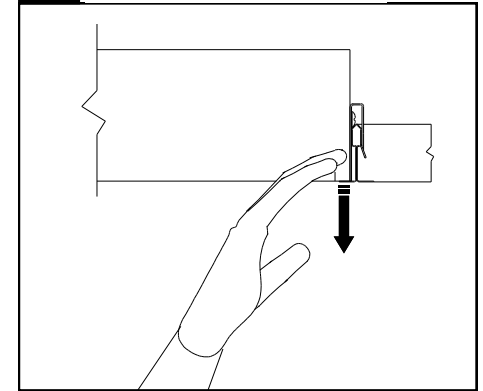
Remove fixture from packaging and locate hardware. Leave spacers in place for install.

### 2 Attach grid clips



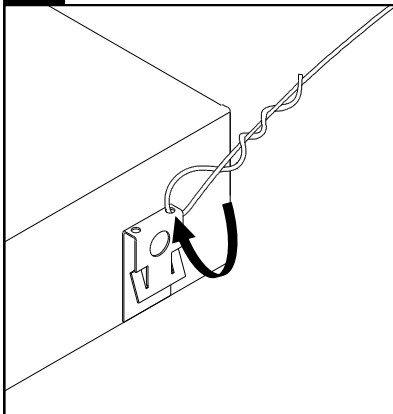
Attach grid clips to fixture using supplied screws.

### 3 Install in ceiling grid



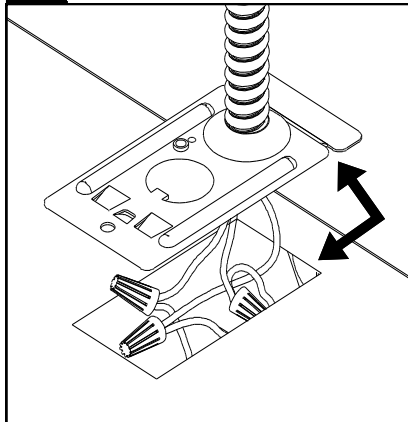
Pull down to engage clips onto T-bar.

### 4 Secure fixture



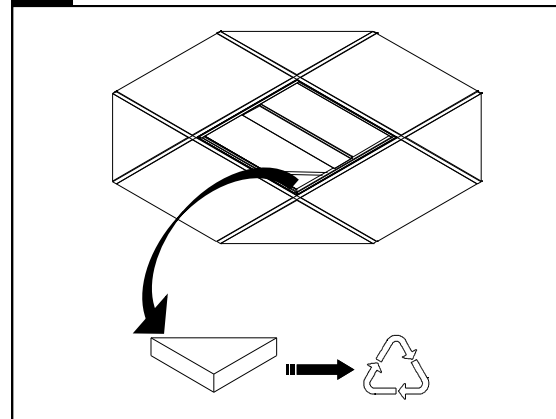
Secure fixture with grid wire or suitable equivalent per local and national building codes.

### 5 Connect wiring



Remove pre-installed wire access plate  
Connect power feed to the leads provided  
Note: A second wire knockout is provided for daisy-chain wiring additional fixtures

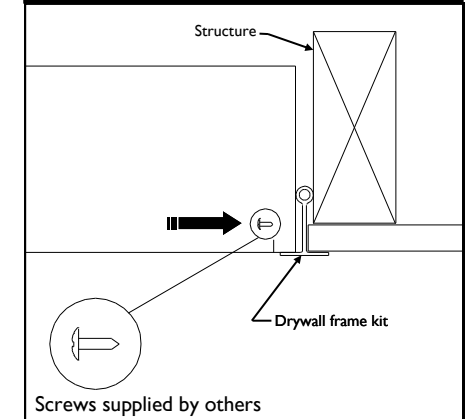
### 6 Remove spacers



Remove spacers and / or protective film.

Cardboard and plastic film are recyclable where facilities exist

### Drywall Ceiling ONLY



Screws supplied by others

**For drywall or inaccessible ceilings only:**

Lift and shift lens frame, rotating about hinge pins and remove.

Secure fixture to mounting frame by screwing through the holes in side of housing.

This equipment has been tested and found to comply with the limits for a Class A digital device, pursuant to part 15 of the FCC Rules. These limits are designed to provide reasonable protection against harmful interference when the equipment is operated in a commercial environment. This equipment generates, uses, and can radiate radio frequency energy and, if not installed and used in accordance with the instruction manual, may cause harmful interference to radio communications. Operation of this equipment in a residential area is likely to cause harmful interference in which case the user will be required to correct the interference at his own expense.

**! ATTENTION: Install in accordance with national and local building and electrical codes.**

Page 1