

# Day-Brite

## CFI

by  Signify

## Industrial

FCY Value high bay

15,000 to 29,000 lumens



Day-Brite / CFI FCY value high bay is an economical combination of solid performance and quality construction. This product is ideally suited for use in mid- to high ceiling applications including industrial, warehouses, gymnasiums, and big box retail.

Project: \_\_\_\_\_  
 Location: \_\_\_\_\_  
 Cat.No: \_\_\_\_\_  
 Type: \_\_\_\_\_  
 Lumens: \_\_\_\_\_ Qty: \_\_\_\_\_  
 Notes: \_\_\_\_\_



### Ordering guide

Example: FCY15L8CST-UNV-DIM

Series	Lumens <sup>1</sup>	Color Temp. (K)	Voltage	Dimming
<b>FCY</b>		<b>8CST</b> -	-	<b>DIM</b>
FCY Value high bay	<b>15L</b> 15,000 lumens <b>22L</b> 22,000 lumens <b>29L</b> 29,000 lumens	<b>8CST</b> 80 CRI, Color Select (4000/5000K)	<b>UNV</b> Universal voltage 120-277V <b>347</b> 347V	<b>DIM</b> 0-10V dimming

- Nominal delivered lumens at 25°C ambient.
- For areas where luminaires are subject to high impact (gymnasiums, etc), rigid pendant hanging is not suggested. Use hook or cable/chain assembly for mounting in these areas.

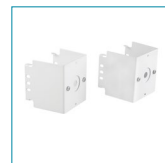
Many luminaire components, such as reflectors, lenses, sockets, lampholders, and LEDs are made from various types of plastics which can be adversely affected by airborne contaminants. If sulfur based chemicals, petroleum based products, cleaning solutions, or other contaminants are expected in the intended area of use, consult factory for compatibility.

### Accessories (order separately)

- FCY-PENHGR<sup>2</sup>** Pendant hanger accessory (adds 2.5" to height)
- FCY-SBK<sup>2</sup>** Surface bracket kit (adds 2.5" to height)
- FCY-WG** Wire guard for FCY15 and FCY22
- FCY-WG29** Wire guard for FCY29
- MD360** Field installable motion detector.



FCY-PENHGR



FCY-SBK



FCY-WG



MD360

### Features

- Die formed sheet metal housing and end plates.
- Corrosion resistant gloss white paint after fabrication finish.
- V-hooks and 48" chains supplied (set of 2) for installation.
- Lumen maintenance up to 70% (L70) at 50,000 hours.
- Access plate located on top of housing for easy wiring.
- Frosted acrylic diffuser provides wide light distribution and superior glare control.
- Field CCT selectable for 4000K or 5000K.
- cULus listed for use in damp locations for -20C to 45C ambient.
- Components are RoHS compliant
- DesignLights Consortium qualified. Please see the DLC QPL list for exact catalog numbers (<http://www.designlights.org/QPL>)
- Five year limited luminaire warranty. Visit [www.signify.com/warranties](http://www.signify.com/warranties) for complete warranty information.

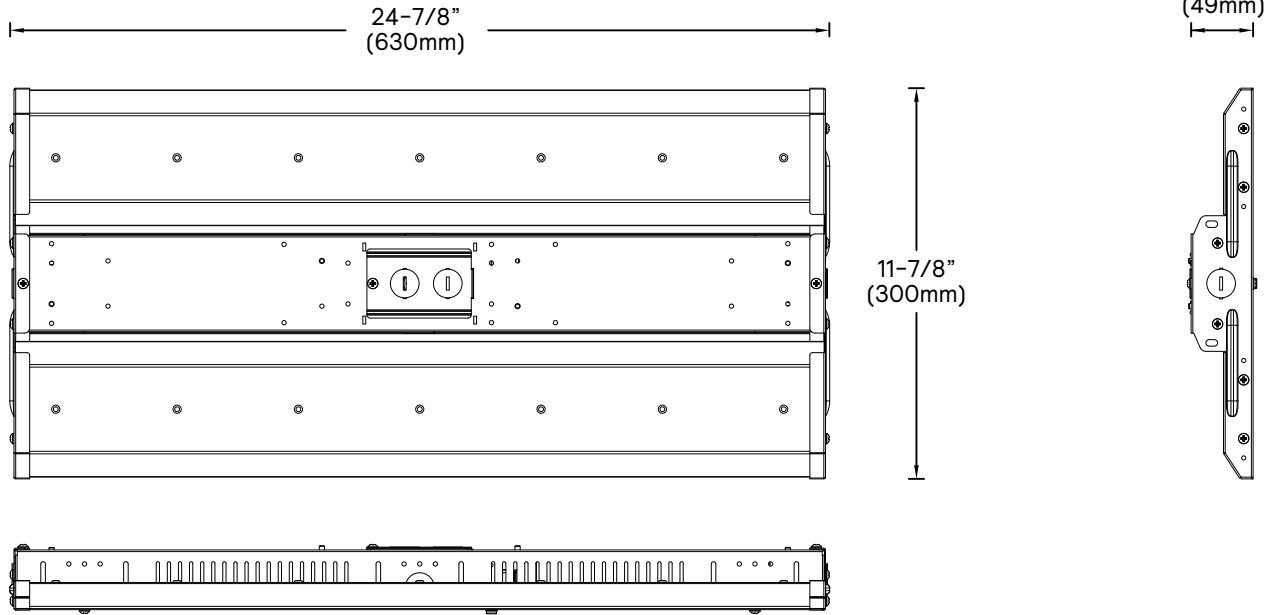


# FCY LED value high bay

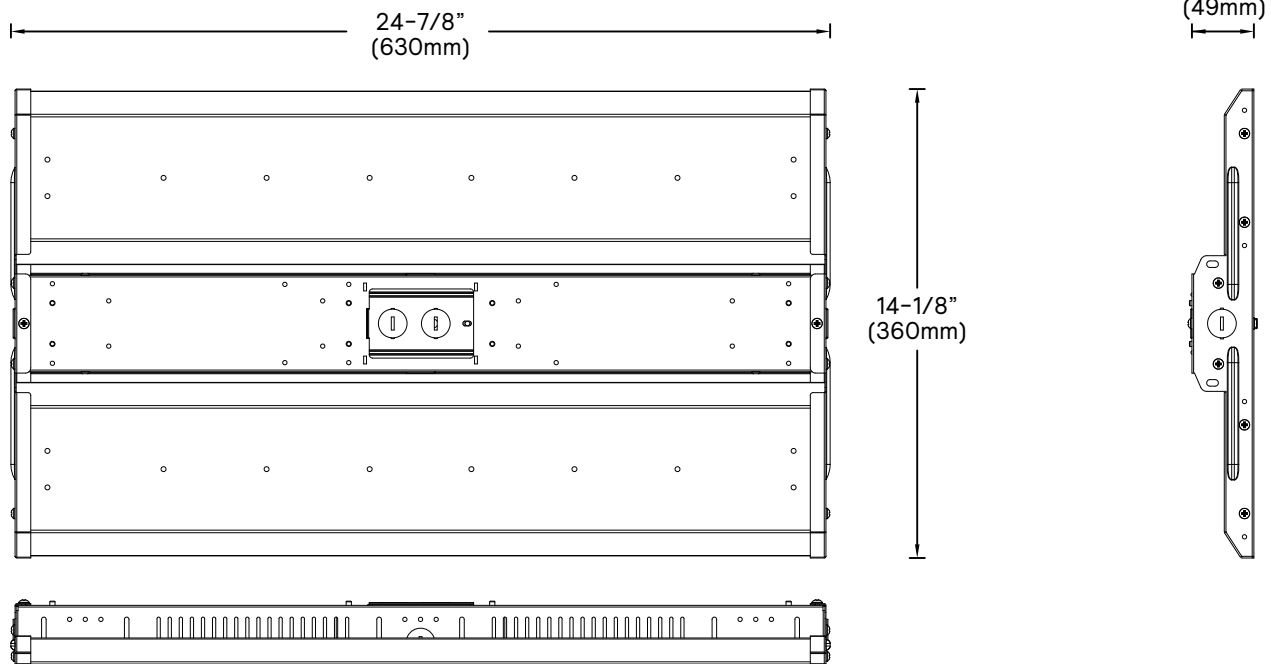
15,000 to 29,000 lumens

## Dimensions

FCY15/22



FCY29



# FCY LED value high bay

15,000 to 29,000 lumens

## Photometry

### FCY22L8CST-UNV-DIM-4000K

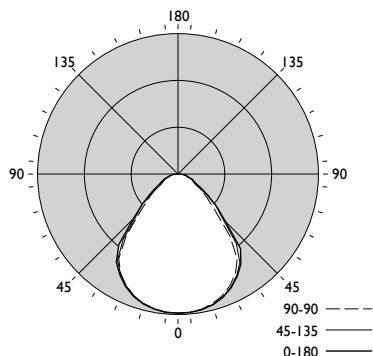
Luminaire Lumens	22169
Luminaire Efficacy Rating (LER)	135
Total Luminaire Watts	164.1
Spacing Criterion (0-180)	1.26

Candela Distribution						Flux
	0	45	90	135	180	Lumens
0	10801	10801	10801	10801	10801	
5	10775	10779	10779	10758	10770	1024
15	10497	10483	10391	10395	10438	2944
25	9742	9697	9546	9546	9629	4428
35	8514	8373	8019	8186	8344	5061
45	5218	4897	4170	4609	4917	3816
55	2649	2845	2320	2640	2272	2324
65	1295	1308	1474	1211	1288	1371
75	688	859	758	805	644	872
85	420	424	282	362	386	384
90	51	31	8	17	17	

Zonal Lumen Summary			
Zone	Lumens	%Fixture	%Lamp
0-30	8399	37.9%	37.9%
0-40	13493	60.9%	60.9%
0-60	19571	88.3%	88.3%
0-90	22169	100.0%	100.0%
0-180	22169	100.0%	100.0%

Avg. Luminance (cd/m²)			
	0	45	90
45	41102	38573	32848
55	25720	27626	22529
65	17063	17236	19427
75	14810	18487	16319
85	26835	27094	17990

Coefficients of Utilization %											
Pc---	80				70			50		0	
Pw---	70	50	30	10	70	50	30	50	30	10	0
RCR											
0	119	119	119	119	116	116	116	111	111	111	100
1	110	106	102	99	108	104	101	100	97	94	87
2	102	95	89	84	99	93	88	90	85	81	76
3	94	85	78	72	92	84	77	81	75	70	66
4	87	77	69	63	85	75	68	73	67	62	58
5	81	70	62	56	79	69	61	67	60	55	52
6	75	63	55	50	74	63	55	61	54	49	46
7	70	58	50	45	69	57	50	56	49	44	42
8	66	53	46	40	64	53	45	52	45	40	38
9	62	49	42	37	60	49	42	48	41	36	34
10	58	46	39	34	57	45	38	44	38	33	32



## Photometric Test List

Catalog No.	Delivered Lumens	Input Watts	Efficacy
FCY15L8CST-UNV-DIM(4000K)	14883	107	140
FCY22L8CST-UNV-DIM(4000K)	22169	164	135
FCY29L8CST-UNV-DIM(4000K)	28859	213	135



© 2021 Signify Holding. All rights reserved. The information provided herein is subject to change, without notice. Signify does not give any representation or warranty as to the accuracy or completeness of the information included herein and shall not be liable for any action in reliance thereon. The information presented in this document is not intended as any commercial offer and does not form part of any quotation or contract, unless otherwise agreed by Signify.

Signify North America Corporation  
200 Franklin Square Drive,  
Somerset, NJ 08873  
Telephone 855-486-2216

Signify Canada Ltd.  
281 Hillmount Road,  
Markham, ON, Canada L6C 2S3  
Telephone 800-668-9008

All trademarks are owned by Signify Holding or their respective owners.