

Project: \_\_\_\_\_  
 Location: \_\_\_\_\_  
 Cat.No: \_\_\_\_\_  
 Type: \_\_\_\_\_  
 Lamps: \_\_\_\_\_ Qty: \_\_\_\_\_  
 Notes: \_\_\_\_\_

Breaking new ground with optimal versatility, the Hadco FlexScape IL9 has zoomable optics (15° to 35°) & 60° by switching optic element. This adjustable luminaire also has the ability to switch light output in 4 steps.

#### Ordering guide

Example: IL9DC-A

Series	Lamping	CCT	Finish
IL9	D	-	
IL9 Low Voltage 9W Inground Lighting	D LED	W Warm (3000K) C Cool (4000K)	A Black

#### Features

- Housing/Construction:** Black Injection molded, glass filled polyester, molded-in fins for thermal performance as well as to discourage heaving and twisting after installation. Molded-in brass inserts for repeatable opening / closing. Lens ring secured with three (3) screws that clamp lens and gasket into place, flush for ADA compliance and repeatable sealing.
- Electrical:** 10W (on high setting) Input voltage range (VAC): 10 - 14. Pre-wired with a 3-ft. pigtail for easy hookup to the low voltage supply cable. Driver housed in injected molded case with electronics encapsulated. 12V class 2 driver with integral switch for 4 preset light levels.
- LED Board and Array:** Single Luxeon M LED.
- Controls:** 12 Volt Class 2 driver with integral switch provides simple customer access to the adjustment between 4 present light levels.

- Optical Systems:** Low iron-tempered clear glass, molded gasket slips onto lens without tools or RTV. Zoomable optic / Injection molded acrylic (PMMA) clear, highly polished molded with select surfaces textured. Inter-changeable lens provides Narrow 15° to Medium 35° beam pattern depending on the position, Inter-changeable lens provides Wide 60° flood output. Limited Aiming: Heatsink doubles as an aiming apparatus, providing a range of 30° (15° from center both ways). Aiming can be adjusted after easy removal of three screws on lens ring.

#### Finish

Composite is textured, pressure formed, black molded-in-color.

#### Lamps

Integral LED module

#### Power Supply

Fixtures can be used with the HADCO Low Voltage Transformers series TC152, TSS, TC. Power supplies are available in 150W / 300W / 600W and 900W. Ask your Philips representative for a full list of options.

Watts Consumed / Needed to Drive	2.0 W	4.5 W	8.6 W	10.7 W
mA	230	600	1100	1500
3K 15°	111	235	419	554
3K 35°	129	273	485	642
3K 60°	115	245	436	571
4K 15°	118	262	465	587
4K 35°	137	303	539	681
4K 60°	122	272	484	606

#### IP68 Rating

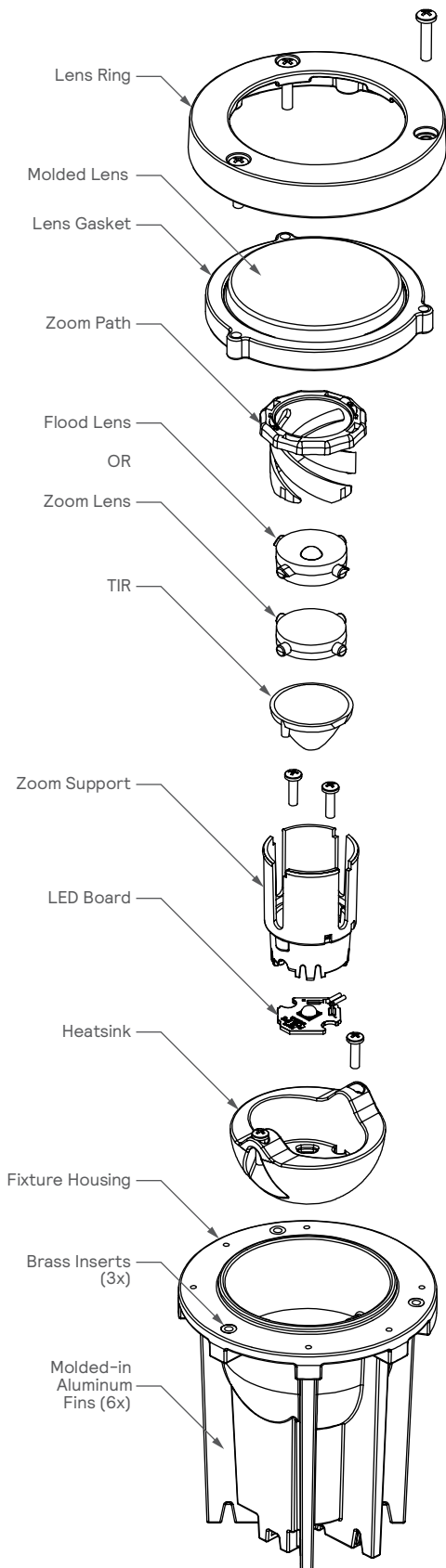
Dust-tight and sealed against direct jets of water and against continuous immersion up to a depth of 1 meter (3.28 feet).

#### Labels

ETL Listed to U.S. safety standards for wet locations. cETL listed to Canadian safety standards for wet locations. Manufactured to ISO 9001:2008 Standards. 5-year limited warranty.

# IL9 FlexScape

## Inground bullet



Component	Material	Finish	Feature /Function
1. Lens Ring	Injection molded, glass filled polyesther	Black, texture on top surface only	Lens ring secures with three (3) Phillips-head screws. Clamps lens and gasket into place, flush for ADA compliance.
2. Molded Lens	Molded, low-iron, tempered	Clear (glass)	Environmental barrier, sealing, flush for ADA compliance, slight curvature to shed water and debris.
3. Lens Gasket	100% molded-silicone	Black	Molded gasket slips onto lens without tools or RTV.
4. Zoom Path	Injection-molded, UV-resistance polycarbonate	White <sup>1</sup>	Tool-lessly adjustable/removable path for Zoom Lens and Flood Lens, high brightness white for maximum light output.
5. Flood Lens <sup>3</sup>	Injection-molded acrylic (PMMA)	Clear <sup>2</sup>	Interchangeable lens provides 60° flood output.
6. Zoom Lens <sup>3</sup>	Injection-molded acrylic (PMMA)	Clear <sup>2</sup>	Interchangeable lens provides 15° to 35° beam depending on position.
7. TIR	Injection-molded acrylic (PMMA)	Clear <sup>2</sup>	Snap-in optic shapes beam for zoom and flood lenses.
8. Zoom Support	Injection-molded, UV-resistance polycarbonate	White <sup>1</sup>	Support for TIR and Zoom Path, locates optics precisely relative to LED, high brightness white for maximum light output.
9. LED Board	Philips Lumileds Luxeon M	White solder mask, silk screen printing	Custom PCB with Philips Lumileds Luxeon M, 3000K/4000K.
10. Heatsink	Injection molded zinc	As cast	Spherical shape enables aiming while transferring heat to exterior housing for better thermal performance.
11. Fixture Housing	Injection molded, glass-filled polyesther, molded-in aluminum fins, molded-in brass inserts	Black	Housing includes molded-in metal fins for thermal performance, molded-in brass inserts for repeatable opening/closing. External fins aid thermal management and discourage "heaving" and twisting after installation. Incoming wires factory sealed including anti-wicking feature.

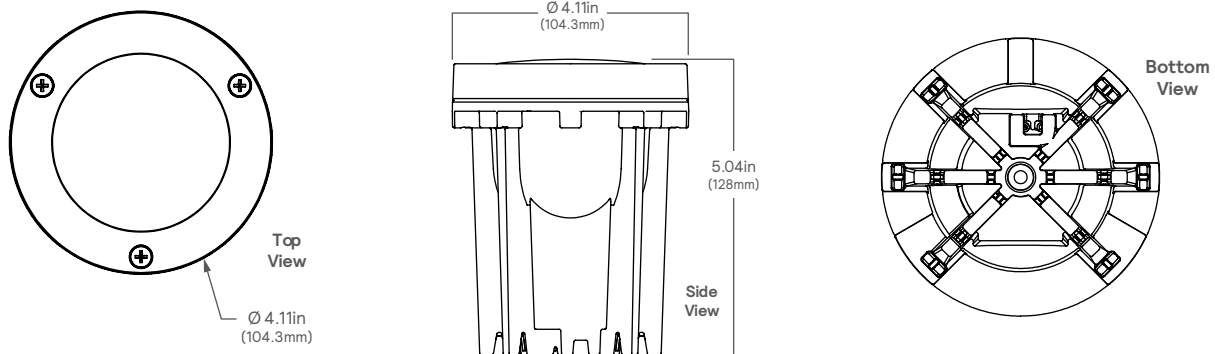
1. Highly polished molded.

2. Highly polished molded, select surfaces textured.

3. Select from either a Zoom or Flood lens optics for customized lighting effects.

# IL9 FlexScape

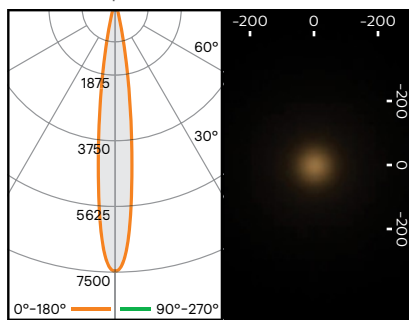
## Inground bullet



### IL9 Warm 3000K

#### Spot

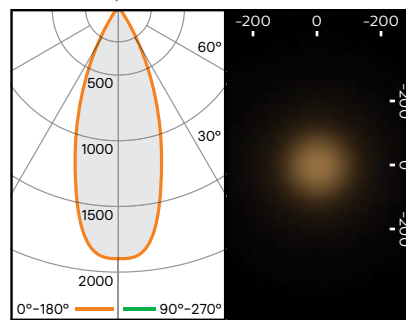
minimum output



TR140208 SYM L.O.R. = 1.00  
(cd/1000lm)

#### Narrow Flood

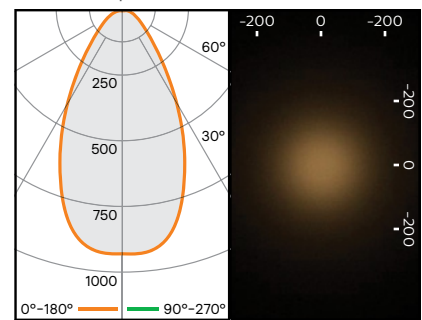
minimum output



TR140240 SYM L.O.R. = 1.00  
(cd/1000lm)

#### Flood

minimum output

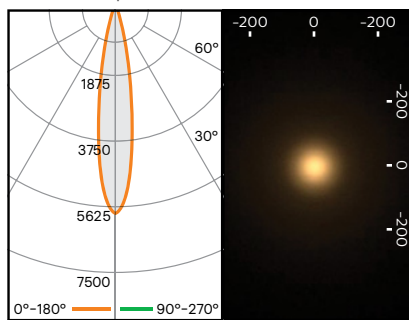


TR140242 SYM L.O.R. = 1.00  
(cd/1000lm)

### IL9 Cool 4000K

#### Spot

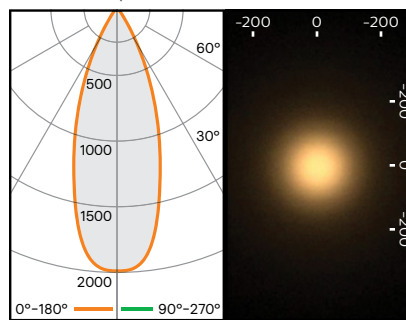
maximum output



TR140239 SYM L.O.R. = 1.00  
(cd/1000lm)

#### Narrow Flood

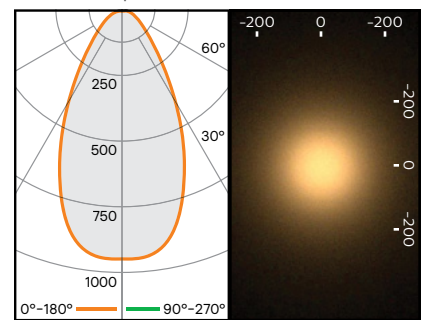
maximum output



TR140241 SYM L.O.R. = 1.00  
(cd/1000lm)

#### Flood

maximum output



TR140243 SYM L.O.R. = 1.00  
(cd/1000lm)



© 2022 Signify Holding. All rights reserved. The information provided herein is subject to change, without notice. Signify does not give any representation or warranty as to the accuracy or completeness of the information included herein and shall not be liable for any action in reliance thereon. The information presented in this document is not intended as any commercial offer and does not form part of any quotation or contract, unless otherwise agreed by Signify.

Signify North America Corporation  
400 Crossing Blvd, Suite 600  
Bridgewater, NJ 08807  
Telephone: 855-486-2216

Signify Canada Ltd.  
281 Hillmount Road,  
Markham, ON, Canada L6C 2S3  
Telephone: 800-668-9008

All trademarks are owned by Signify Holding or their respective owners.