





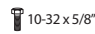
**Frame trim**

2x  B1

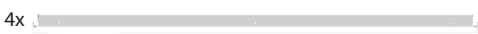
2x  C1

**Inner frame**


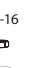
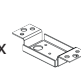

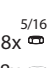
2x  B2


4x  C3    24x  10-32x5/8"

**Recessed version only**








4x  6-Bx3/8"


**Suspension kit**

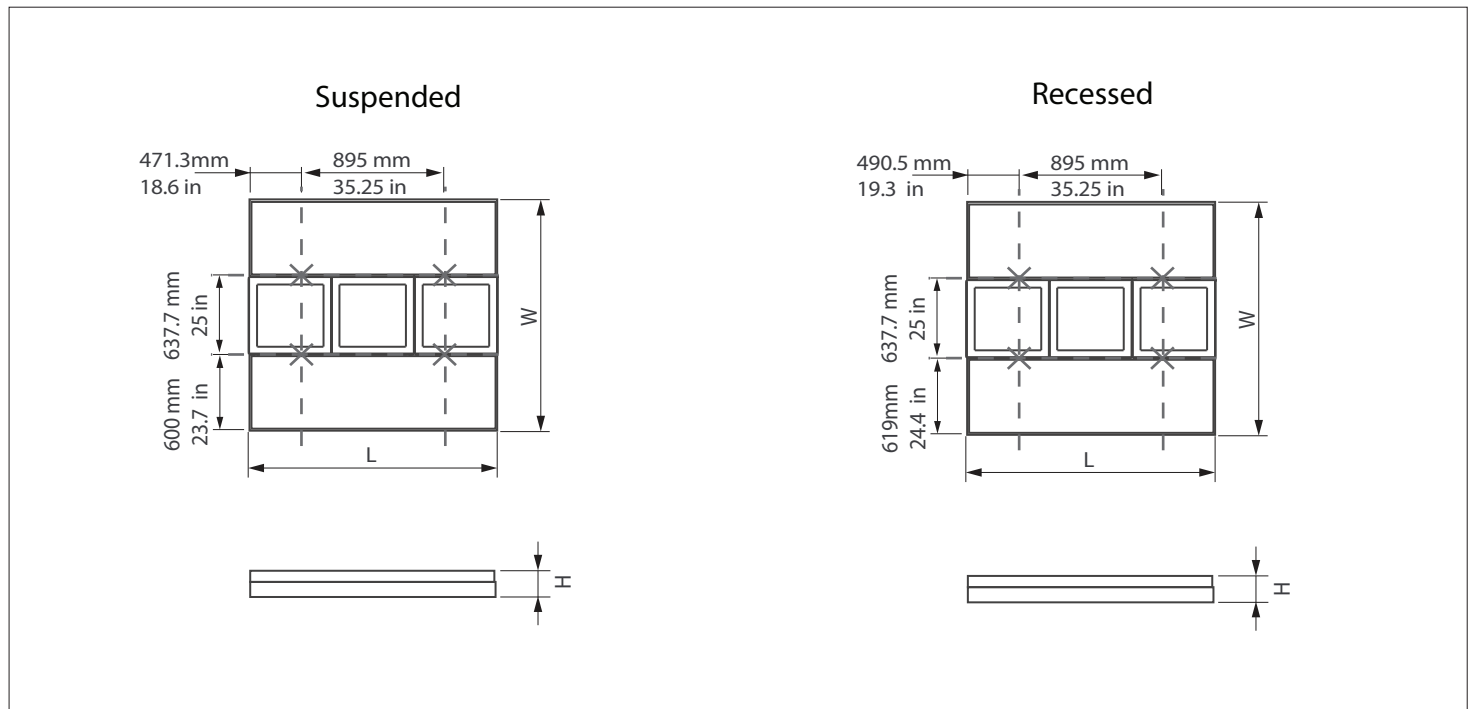
4x  3/8-16    4x  5/16    4x     8x  5/16    8x  5/16

4x  5/16

Tools not included

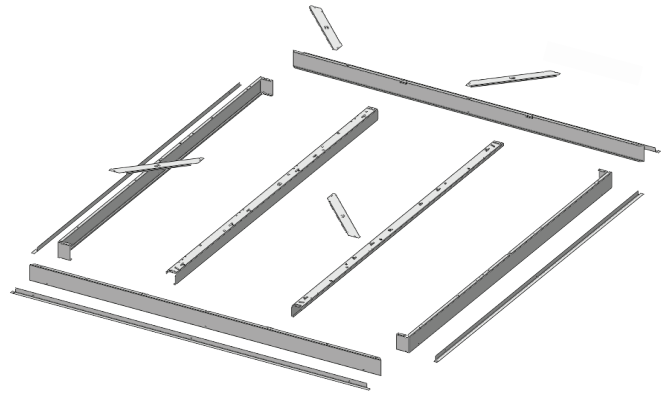
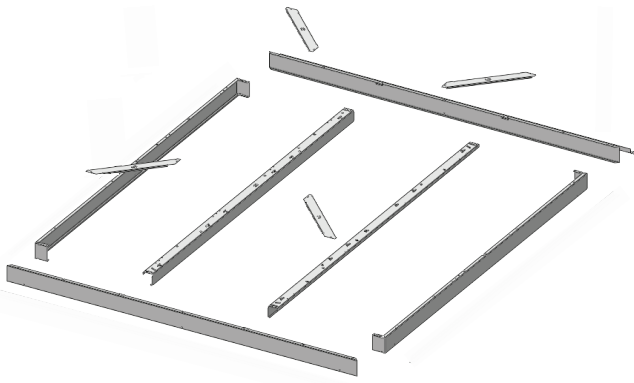








	Suspended version dimensions LxWxH		Recessed version dimensions LxWxH
Small frame	1838x1838x141 mm 72.36 x 72.36 x 5.55 in	91 kg (including luminaires) 200 lb (including luminaires)	1878x1878x141 mm 73.93 x 73.93 x 5.55 in



Suspended

Recessed



For more detailed mounting instruction, please consult your Signify representative for the NatureConnect system installation manual.



- During installation or maintaining the luminaire please use gloves to avoid spots on the cover.
- To remove dust and spots use the following:
  - Dust: use micro fiber cloths only
  - Fingerprints, etc.: use a cleaner for synthetic materials with antistatic properties.