

INSTALLATION INSTRUCTIONS: REFRACTOR GLOBE FIXTURES

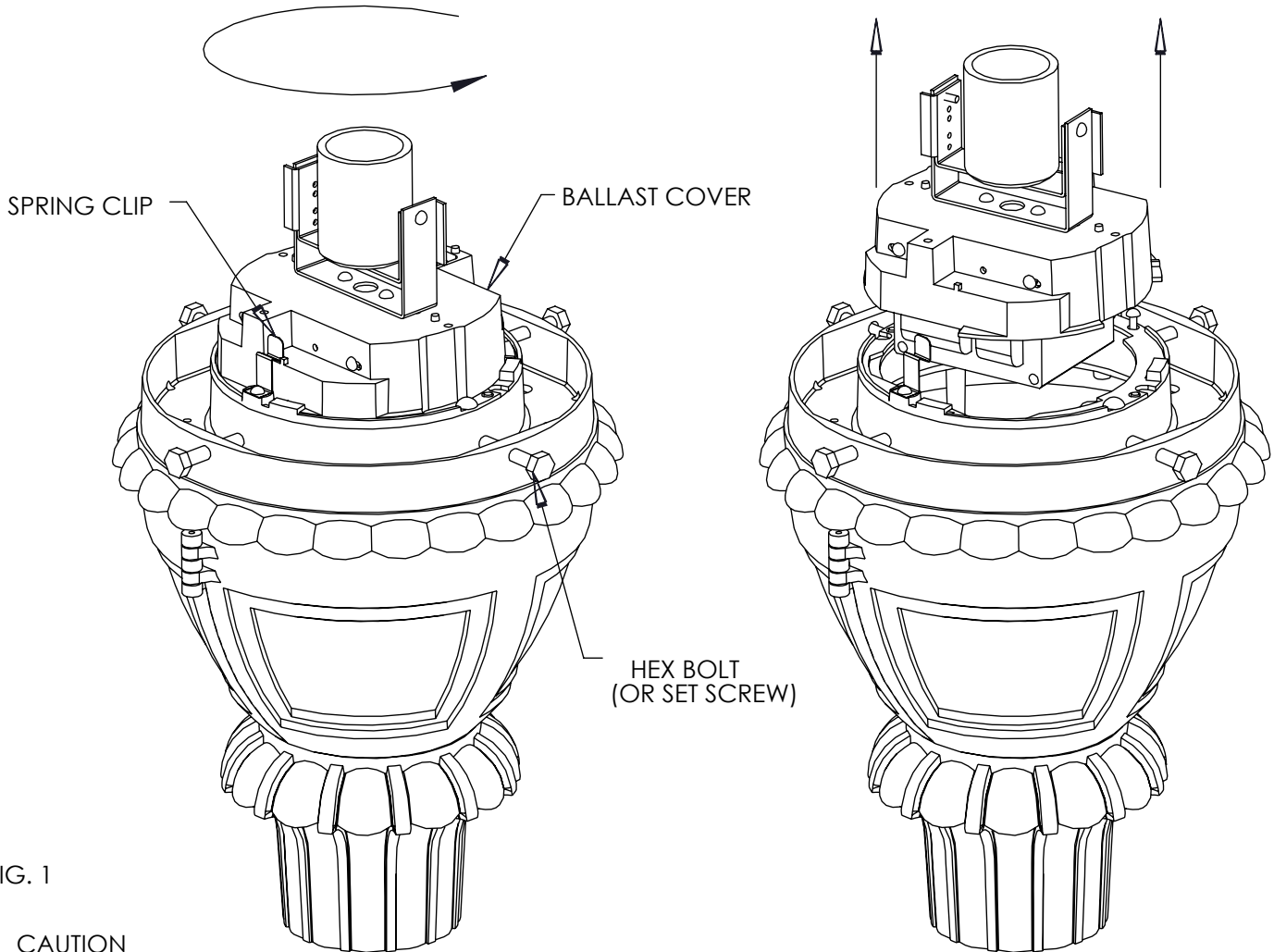


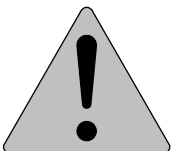
FIG. 1

CAUTION

1. The electrical power must be disconnected from the fixture and pole before installing, servicing, or relamping the fixture.
2. These directions must be read carefully and adhered to. Failure to do so may result in injury, damage to the fixture, and voiding the warranty.

DISCLAIMER

While we believe these instructions to be accurate at the time of publication, Hadco reserves the right to make changes to this fixture and/or components. The contractor should follow local and national electrical codes where required. For any further information please contact Hadco customer service.



This fixture is intended for installation in accordance with the National Electrical Code and local code specifications. Failure to adhere to these codes and instructions may result in serious injury and/or damage to the ballast and void the warranty. These instructions do not purport to cover all details or variations in equipment, nor to provide for every possible contingency related to installation, operation, maintenance, or mounting situation. Should specific problems occur that are not addressed by these instructions, contact your Sales Representative or distributor for assistance. Retain these instructions for future reference.

TOOLS REQUIRED

FOR INSTALLATION & RELAMPING

1. Screw driver
2. 1/2" socket wrench
3. 5/32" (or) 3/16" allen wrench
4. Wire connectors for appropriate wire

INSTALLATION

WARNING - The power **MUST** be turned off prior to proceeding. Read these instructions carefully. If any problems are encountered that are not covered in these instructions, contact Hadco for assistance.

STEP 1: REMOVE GLOBE

- * Loosen the (4) set screws or hex bolts that secure the globe (or glass globe adapter) to the fixture.
- * Then remove the globe from the fixture. ** DO NOT remove the cage (if applicable).
 - > For fixtures with a harp assembly, the finial must also be twisted off in order to remove the globe.
 - > For fixtures with a hinged roof, unfasten the 1/4-turn stud or thumb screw and swing open the roof. This will enable the globe to be removed.
 - > For fixtures with a glass globe, just lift the glass globe with adapter from the fixture. ** DO NOT remove the glass globe from the two-piece adapter.
 - > For fixtures with an ICETRON ballast, the following steps are required to remove the globe:
 - Twist off finial
 - Lift roof off of globe
 - Remove lamp module by removing (2) screws.
 - Then remove the globe from fixture.

STEP 2: WIRING

* UTILIZING WIRE NUT

- > Wire bug the incoming power supply wires with the fixture's supply wires.

- OR -

* UTILIZING INTERNAL TERMINAL BLOCK (follow the steps below)

- 2.1 Push the spring clip away from the ballast cover with thumb and rotate the ballast cover counter-clockwise until it stops (see FIG. 1 on page 1)
- 2.2 Lift the ballast cover away from the fixture and disconnect the blue quick-connects.
- 2.3 Loosen the (2) 8-32 screws and rotate the terminal block bracket in order to remove it from the housing (see FIG 2).
- 2.4 Remove the out wires, supplied by Hadco, from the terminal block.
- 2.5 Install the incoming power supply wires into the terminal block.
 - First, verify that the voltage-lead coming from the ballast is the same as the incoming voltage.
 - Then proceed to connect the common supply in line with common, the ground supply in line with the ground, and the supply voltage in line with the voltage.
- 2.6 Replace the terminal block bracket and tighten (2) screws.
- 2.7 Replace the ballast cover and ballast by reversing steps 2.1 and 2.2.
 - Verify that the spring clip snaps back into place and secures the ballast cover to the fixture.

STEP 3: Mount the housing onto a 3" post shaft or tenon.

- * Use the post fitter's 5/16-18 set screws or hex bolts, supplied in fixture, to secure the housing to the post shaft or tenon.

STEP 4: Install the correct lamp based upon the lamp label next to the socket.

STEP 5: Type IV House-side Shield ONLY

- * Rotate the reflector assembly around the socket to the correct orientation.
- ** Note: the reflector is the house side.

STEP 6: Replace all of the removed parts by reversing STEP 1.

STEP 7: Connect power and test the fixture for proper operation.

STEP 8: After the installation is complete, deliver this manual to the owner.

LAMP REPLACEMENT

NOTE: It is a good idea to clean the fixture each time you relamp. Avoid using harsh solvents or abrasives while cleaning fixture.

STEP 1: Remove the globe, see STEP 1 from installation instructions.

STEP 2: Then remove the old lamp and dispose of it in accordance with local codes and regulations.

STEP 3: Install a new lamp, referring to the lamp label next to the socket to ensure using the correct type.

STEP 4: Replace the removed parts by reversing STEP 1.

BALLAST REPLACEMENT

STEP 1: REMOVE THE GLOBE, see STEP 1 from installation instructions.

STEP 2: REMOVE BALLAST COVER & BALLAST

- * Push the spring clip away from the ballast cover with thumb and rotate the ballast cover counter-clockwise until it stops (see FIG. 1 on page 1).
- * Lift the ballast cover away from the fixture and disconnect the blue quick-connects.

STEP 3: Check and make sure that the lamp type and wattage correspond to the NEW ballast type and wattage.

STEP 4: Check the NEW ballast module for proper voltage.

STEP 5: Install new ballast cover and ballast by reversing STEP 2.

- * Verify that the spring clip snaps back into place and secures the ballast cover to the fixture.

STEP 6: Replace all of the remaining removed parts by reversing STEP 1 from installation instructions.

