

READ AND UNDERSTAND THESE INSTRUCTIONS BEFORE INSTALLING FIXTURE

This fixture is intended for installation in accordance with the National Electrical Code and local regulations. To assure full compliance with local codes and regulations, check with your local electrical inspector before installation. To prevent electrical shock, turn off electricity at fuse box before proceeding.

Retain these instructions for maintenance reference.

INSTRUCTION SHEET NO.

IS:7596

**CONDUIT ADAPTER
FOR USE WITH BASIC LYTESPAN® TRACK SYSTEM ONLY.**

The CONDUIT ADAPTER is used for power feed to the LIVE END of Basic Lytespan from surface conduit that terminates in 1/2-14 IPS threaded connector.

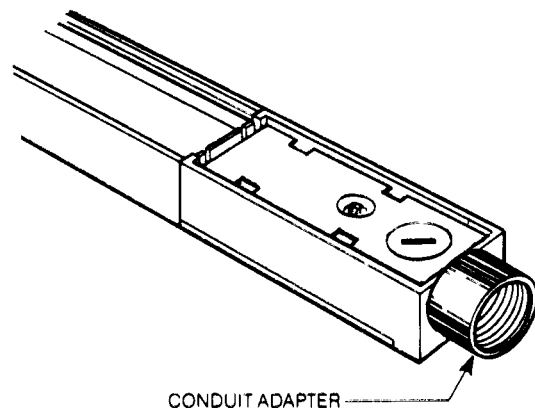
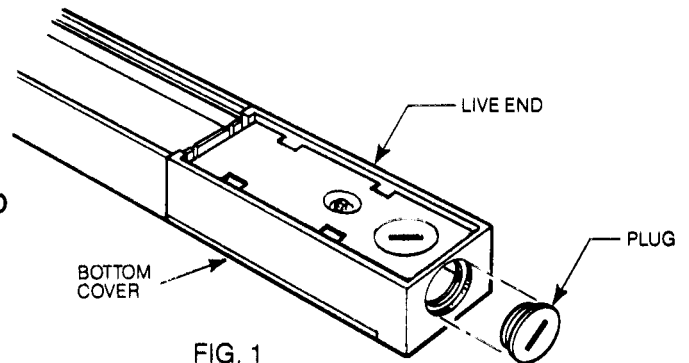
CAUTION:

- **TURN OFF POWER AT FUSE BOX BEFORE INSTALLING TRACK.**
- **USE ONLY #12 GA. SOLID COPPER WIRE IN CONNECTORS TO MAINTAIN PROPER RATING OF TRACK.**
- **OBSERVE POLARITY, WHITE (NEUTRAL) WIRE MUST BE CONNECTED TO TERMINAL MARKED "NEUT". FAILURE TO OBSERVE POLARITY MAY RESULT IN AN ELECTRICAL HAZARD.**
- **DO NOT USE TRACK AS A CONDUIT SUPPORT. INDEPENDENT CONDUIT SUPPORTS (SUCH AS SUITABLE CONDUIT STRAPS) MUST BE USED TO ATTACH THE CONDUIT INSTALLATION TO THE BUILDING STRUCTURE.**

INSTALLATION FOR BASIC LYTESPAN

1. Unscrew PLUG and remove BOTTOM COVER from LIVE END (Fig. 1).
2. Screw in CONDUIT ADAPTER (Fig. 2).
3. Screw electrical connector (by others) into CONDUIT ADAPTER. Pass supply leads through assembly and fasten supply leads as shown on track instruction sheet IS:6020.

NOTES:The NUT inside the LIVE END can be rotated to permit sufficient clearance for supply leads. CONDUIT ADAPTER is NOT required for Advent Lytespan®.



**PHILIPS
LIGHTOLIER**

Philips Lighting North America Corporation
200 Franklin Square Drive
Somerset, NJ 08873, USA
Phone: 855-486-2216

Philips Lighting Canada Ltd.
281 Hillmount Road
Markham ON, Canada L6C 2S3
Phone: 800-668-9008