

Day-Brite



by Signify

Surface

Surface Modular LED 2x2

2000, 3000, 3800, or 4500 lumens



Day-Brite / CFI LED Surface modular luminaire is a shallow body, surface mounted premium grade luminaire with a variety of door frames and lens options available.

Project: _____
 Location: _____
 Cat.No: _____
 Type: _____
 Lamps: _____ Qty: _____
 Notes: _____

Ordering guide

Example: 2SML38L840-2-FS-02F-UNV-DIM

Width	Family	Lumen Package ¹	Color	Length	Door Frame	Lens	Voltage	Driver	Options
2	SML		–	2	–	–	–	–	
2 2'	SML Surface Modular LED	20L 2000lm 30L 3000lm 38L 3800lm 45L 4500lm	830 3000K, 80CRI 835 3500K, 80CRI 840 4000K, 80CRI 850 5000K, 80CRI	2 2'	FS Flat Steel FA Flat Aluminum RA Regressed Aluminum TFS Tamper Resistant Flat Steel	02F Pattern 12, .100" nominal diffuse 50% 12F DB-12, .125" nominal diffuse 50% 19F DB-19, .156" nominal diffuse 50%	120 277 347 UNV Universal Voltage 120-277V	DIM 0-10V dimming SDIM Step dimming to 40% input power XDIM ² MarkX phase dimming	F1 3/8" flex, 3 wire, 18 gauge 6' F2 3/8" flex, 4 wire, 18 gauge 6' F1/D 3/8" twin flex, 3 wire, 18 gauge 6', for dimmable luminaires F2/5W 3/8" single flex, 5 wire, 18 gauge 6', for dimmable luminaires EMLED ³ Integral emergency battery pack 1W 1-way gasket between lens & door frame (not avail. for RA door frame) 2W 1-way & gasket between door frame & housing GLR Fusing, fast blow DSC Quick driver disconnect BAC ⁴ Meets the requirements of the Buy American Act of 1933 (BAA)

Footnotes

- Nominal lumens delivered
- XDIM option requires 120V or 277V to be specified
- Philips Bodine BSL310 1100 nominal lumens
- Failure to properly select the "BAC" suffix could result in you receiving product that is not BAA compliant product with no recourse for an RMA or refund. This BAC designation hereunder does not address (i) the applicability of, or availability of a waiver under, the Trade Agreements Act, or (ii) the "Buy America" domestic content requirements imposed on states, localities, and other non-federal entities as a condition of receiving funds administered by the Department of Transportation or other federal agencies.
- Consult Signify to confirm whether specific accessories are BAA-compliant.

Energy data

Luminaire	Catalog Number	Input Power	Efficacy
2x2	2SML30L840	26.1	111.2
	2SML38L840	33.9	109.9
	2SML45L840	38.8	108.5

Accessories⁵ (order separately)

- TPDTH Tamper proof driver, Torx T-15 head pin drive and handle (required with TR option)
- CS-400 Rigid canopy
- CS-500 42" top swivel canopy
- CS-12 12" Stem
- CS-18 18" Stem
- CS-24 24" Stem
- CS-30 30" Stem
- CS-36 36" Stem
- CS-48 48" Stem



2SML Surface Modular LED luminaire 2x2

2000, 3000, 3800, or 4500 lumens

Application

- High efficacy long life solid state lighting platform.
- General lighting distribution is excellent for ambient lighting.
- High CRI source provides excellent color rendering, 80 CRI minimum.
- LEDs are an excellent source for use with controls since frequent switching does not affect the life of the light source.

Construction/Finish

- Surface or pendant mounting requires 2 stems.
- 4" deep metal sided unit.
- Housing is multi-stage phosphate treated for maximum corrosion resistance and painted after fabrication with white polyester powder coating.
- K.O.'s provided in ends allow individual or continuous row mounting.

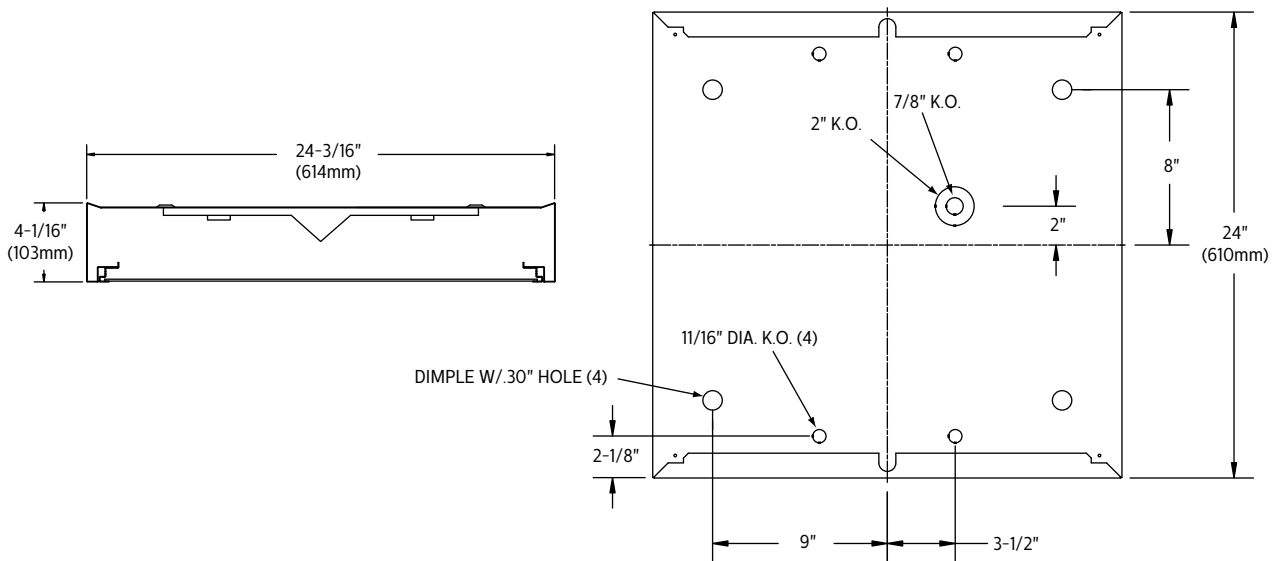
Electrical

- Standard 0–10V dimming.
- Driver and LED boards are accessible from below. LED boards are individually replaceable if required.
- Five-year luminaire limited warranty including LED boards and driver. Visit www.philips.com/warranties for complete warranty information.
- High efficiency LEDs have 50,000 hour rated life (defined by testing at 70% lumen maintenance (L70)), based on 25°C ambient operating temperature.
- cETLus listed to UL and CSA standards, suitable for damp location.
- Many luminaire components, such as reflectors, refractors, lenses, sockets, lampholders, and LEDs are made from various types of plastics which can be adversely affected by airborne contaminants. If sulfur based chemicals, petroleum based products, cleaning solutions, or other contaminants are expected in the intended area of use, consult factory for compatibility.

Enclosure

- Mitered corner door frames painted after fabrication with a choice of Flat Steel, Flat Aluminum, Regressed Aluminum, or Tamper Resistant Flat Steel.
- Door frames standard with guide post spring loaded latches.
- Prismatic acrylic pattern 12 lens standard (02F). Other lenses or louvers optional.
- Can be hinged and latched from either side.
- TFS Door latches secured with 2 Torx head pin drive screws
- Special screwdriver required for TFS door, catalog #TPDTH sold separately

Dimensions



2SML Surface Modular LED luminaire 2x2

2000, 3000, 3800, or 4500 lumens

Surface Modular LED 2x2 3000 nominal delivered lumens

LER – 111

Catalog No.	2SML30L840-2-FS-02F-UNV-DIM	Candlepower				Light Distribution			Average Luminance			
		Angle	End	45	Cross	Degrees	Lumens	% Luminaire	Angle	End	45°	Cross
Test No.	36649	0	1407	1407	1407	0-30	1076	37.0	45	3119	3195	3238
S/MH	1.2	5	1396	1400	1404	0-40	1707	58.7	55	2049	1984	1943
Lamp Type	LED	15	1330	1346	1363	0-60	2561	88.1	65	1620	1133	1630
Lumens	2906	25	1198	1225	1255	0-90	2905	100.0	75	1603	1237	1649
Input Watts	26	35	977	1017	1042	0-180	2906	100.0	85	1700	1898	1741
		45	679	695	705							
		55	362	350	343							
		65	211	147	212							
		75	128	99	131							
		85	46	51	47							

EFFECTIVE FLOOR CAVITY REFLECTANCE 20 PER (pfc=0.20)										
pcc	80	70	50	70	50	30	50	30	50	30
pw	70	50	30	70	50	30	70	50	30	30
RCR										
0	118	118	118	115	115	115	111	111	111	111
1	110	106	102	108	104	100	100	96	100	96
2	102	94	89	98	93	86	89	84	89	84
3	93	84	78	92	82	77	80	75	80	75
4	86	76	68	84	75	68	72	66	72	66
5	81	68	60	79	68	60	66	58	66	58
6	75	63	55	72	61	54	59	54	59	54
7	69	57	50	68	56	48	55	48	55	48
8	66	53	45	64	52	45	51	44	51	44
9	60	48	40	59	47	40	46	40	46	40
10	57	45	38	56	45	38	44	36	44	36

Comparative yearly lighting energy cost per 1000 lumens – **\$2.16** based on 3000 hrs. and \$.08 pwr KWH.

The photometric results were obtained in the Day-Brite laboratory which is NVLAP accredited by the National Institute of Standards and Technology.

Surface Modular LED 2x2 3800 nominal delivered lumens

LER – 110

Catalog No.	2SML38L840-2-FS-02F-UNV-DIM	Candlepower				Light Distribution			Average Luminance			
		Angle	End	45	Cross	Degrees	Lumens	% Luminaire	Angle	End	45°	Cross
Test No.	36650	0	1799	1799	1799	0-30	1376	36.9	45	3991	4091	4143
S/MH	1.2	5	1785	1792	1797	0-40	2182	58.5	55	2621	2540	2491
Lamp Type	LED	15	1701	1721	1744	0-60	3287	88.2	65	2070	1456	2086
Lumens	3728	25	1532	1567	1605	0-90	3727	100.0	75	2048	1583	2106
Input Watts	34	35	1248	1302	1332	0-180	3728	100.0	85	2181	2431	2192
		45	868	890	902							
		55	463	448	440							
		65	269	189	271							
		75	163	126	168							
		85	59	65	59							

EFFECTIVE FLOOR CAVITY REFLECTANCE 20 PER (pfc=0.20)										
pcc	80	70	50	70	50	30	50	30	50	30
pw	70	50	30	70	50	30	70	50	30	30
RCR										
0	118	118	118	115	115	115	111	111	111	111
1	110	106	102	108	104	100	100	96	100	96
2	102	94	89	98	93	86	89	84	89	84
3	93	84	78	92	82	77	80	75	80	75
4	86	76	68	84	75	68	72	66	72	66
5	81	68	60	79	68	59	66	58	66	58
6	75	63	55	72	61	54	59	53	59	53
7	69	57	50	68	56	48	55	48	55	48
8	65	53	45	64	52	45	51	44	51	44
9	60	48	40	59	47	40	46	40	46	40
10	57	45	38	56	45	38	44	36	44	36

Comparative yearly lighting energy cost per 1000 lumens – **\$2.18** based on 3000 hrs. and \$.08 pwr KWH.

The photometric results were obtained in the Day-Brite laboratory which is NVLAP accredited by the National Institute of Standards and Technology.

2SML Surface Modular LED luminaire 2x2

2000, 3000, 3800, or 4500 lumens

Surface Modular LED 2x2 4500 nominal delivered lumens

LER – 109

		Candlepower				Light Distribution			Average Luminance				
Catalog No.	2SML45L840-2-FS-02F-UNV-DIM	Angle	End	45	Cross	Degrees	Lumens	% Luminaire	Angle	End	45'	Cross	
Test No.	36651	0	2029	2029	2029	0-30	1552	36.8	45	4496	4616	4665	
S/MH	1.2	5	2014	2021	2027	0-40	2461	58.4	55	3057	2979	2912	
Lamp Type	LED	15	1918	1941	1967	0-60	3716	88.2	65	2331	1640	2348	
Lumens	4213	25	1728	1767	1810	0-90	4212	100.0	75	2305	1782	2365	
Input Watts	39	35	1409	1468	1504	0-180	4213	100.0	85	2442	2696	2457	
		45	978	1004	1015								
		55	540	526	514								
		65	303	213	305								
		75	184	142	188								
		85	66	72	66								
<p>Comparative yearly lighting energy cost per 1000 lumens – \$2.20 based on 3000 hrs. and \$.08 pwr KWH.</p> <p>The photometric results were obtained in the Day-Brite laboratory which is NVLAP accredited by the National Institute of Standards and Technology.</p>													
						Coefficients of Utilization							
						EFFECTIVE FLOOR CAVITY REFLECTANCE 20 PER (pfc=0.20)							
pcc		80	70	50			70	50	30			50	30
pw		70	50	30									
RCR													
0	118	118	118			115	115	115			111	111	
1	110	106	102			108	104	100			100	96	
2	102	94	89			98	93	86			89	84	
3	93	84	78			92	82	77			80	75	
4	86	76	68			84	75	68			72	66	
5	81	68	60			79	68	59			66	58	
6	75	63	55			72	61	54			59	53	
7	69	57	50			68	56	48			55	47	
8	65	53	45			64	52	45			51	44	
9	60	48	40			59	47	40			46	40	
10	57	45	38			56	45	38			44	36	



© 2021 Signify Holding. All rights reserved. The information provided herein is subject to change, without notice. Signify does not give any representation or warranty as to the accuracy or completeness of the information included herein and shall not be liable for any action in reliance thereon. The information presented in this document is not intended as any commercial offer and does not form part of any quotation or contract, unless otherwise agreed by Signify.

Signify North America Corporation
200 Franklin Square Drive,
Somerset, NJ 08873
Telephone 855-486-2216

Signify Canada Ltd.
281 Hillmount Road,
Markham, ON, Canada L6C 2S3
Telephone 800-668-9008

All trademarks are owned by Signify Holding or their respective owners.