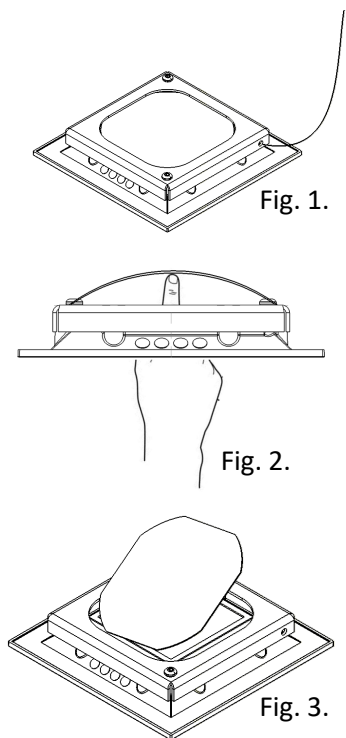




### Instructions for MESOPTICS films installation

1. REMOVE TRIM FROM CEILING.
2. TO REMOVE OPTICAL FILM, FORCE IT WITH YOUR HAND UNTIL IT COMES OFF.
3. ATTACH MESOPTICS FILM FROM THE CORNERS (SEE FIG 3). FILM DIRECTION MUST BE ATTACHED SHINEY SIDE UP.
4. ATTACH TRIM TO CEILING.

#### C3SA Installation steps.



#### C3RA Installation steps.

