

The **Gardco SSS Straight Square Steel** pole consists of a one-piece high tensile carbon steel tube welded and secured to the carbon steel base plate providing excellent strength and integrity. The poles are finished with an electrostatically applied, thermally cured polyester powdercoat. All poles include base cover, hand hole, ground lug and top cap. Anchor bolts and templates are ordered as a separate accessory.

Project: \_\_\_\_\_  
 Location: \_\_\_\_\_  
 Cat.No: \_\_\_\_\_  
 Type: \_\_\_\_\_  
 Notes: \_\_\_\_\_

### Ordering Guide

example: SSS-CB-4-11-12-D1-DT1-BK-FES

Family	Base	Pole Shaft Size (in.)	Pole Gauge/ Wall Thickness	Height (ft.) <sup>5</sup>	Drilling/Tenon Configuration <sup>1</sup>	Drilling Template <sup>2</sup>	Finish	Options <sup>3</sup>	
<b>SSS</b>	<b>CB</b>								
SSS	CB Carbon Steel Base w/ Base Cover	4	11 11 ga. / 0.120"	10	D1 1 Way D1@180 1 Way @ 180 D2 2 Way @ 180 D2@90 2 Way @ 90 D3 3 Way @ 90 D4 4 Way @ 90	DT1 Drill Template 1 DT2 Drill Template 2 DT3 Drill Template 3 DT4 Drill Template 4 DT5 Drill Template 5 DT6 Drill Template 6 [DTX-xxx] <sup>8</sup> Custom Template	BK Black BZ Bronze WH White DG Dark Grey MG Medium Grey GY3 Light Grey, Smooth SSDGY SolarForm Dark Grey (RAL 7011)	FES <sup>8</sup> Festoon Outlet VDA Vibration Dampener AHH <sup>8</sup> Additional Hand Hole DR <sup>8</sup> Duplex Receptacle VPA Vandalproof Screws GFI <sup>8</sup> DR with GFI (120V only)	
				12					
				14					
				15					
				16					
				18					
		20							
		25							
		7 7 ga. / 0.180"	20	No Drilling/No Tenon	See drill template chart for details.	GV Galvanized (No Paint)	BAC <sup>5</sup> Buy American Compliant		
		25							
		30							
		5	11 11 ga. / 0.120"					N No Drilling Template (for Tenon and Plain Top Options)	FP/GV Finished Textured Paint over Galvanized (Specify, ex: MG/GV)
20	T2D4L 2-3/8" OD x 4" length								
25	T2D6L 2-3/8" OD x 6" length								
30	T3D4L 3" OD x 4" length								
35	T4D6L 4" OD x 6" length								
6	7 7 ga. / 0.180"	30		P Plain Top	SC <sup>8</sup> Special/ Custom Color (Specify, must supply color chip)				
35									
40									

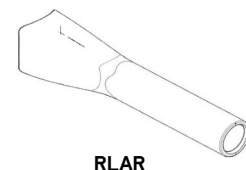
- See Drilling Configurations on Page 3.
- See Luminaire Drilling Templates on Page 3
- Not all options available with all configurations. Consult factory for more details
- Options listed with white text will be shipped with the Legacy SSS design.
- Pole heights can be cut to length. Specify as a whole number in ft. (ex. 11, 13) or to the inch as a decimal (ex. 15.33 = 15' 4") or as "15FT 4IN" for Legacy designs.
- Failure to properly select the "BAC" suffix could result in you receiving product

- that is not BAA compliant product with no recourse for an RMA or refund. This BAC designation hereunder does not address (i) the applicability of, or availability of a waiver under, the Trade Agreements Act, or (ii) the "Buy America" domestic content requirements imposed on states, localities, and other non-federal entities as a condition of receiving funds administered by the Department of Transportation or other federal agencies.
- Consult Signify to confirm whether specific accessories are BAA-compliant.
  - Option must be specified by the customer before order release. Custom drill templates (DTX) require factory quote.

### Accessories<sup>7</sup>

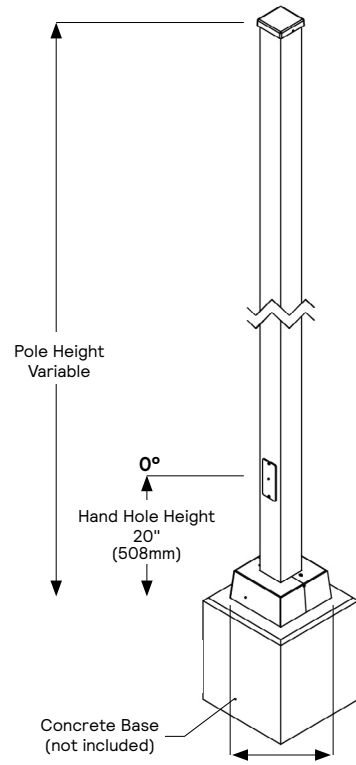
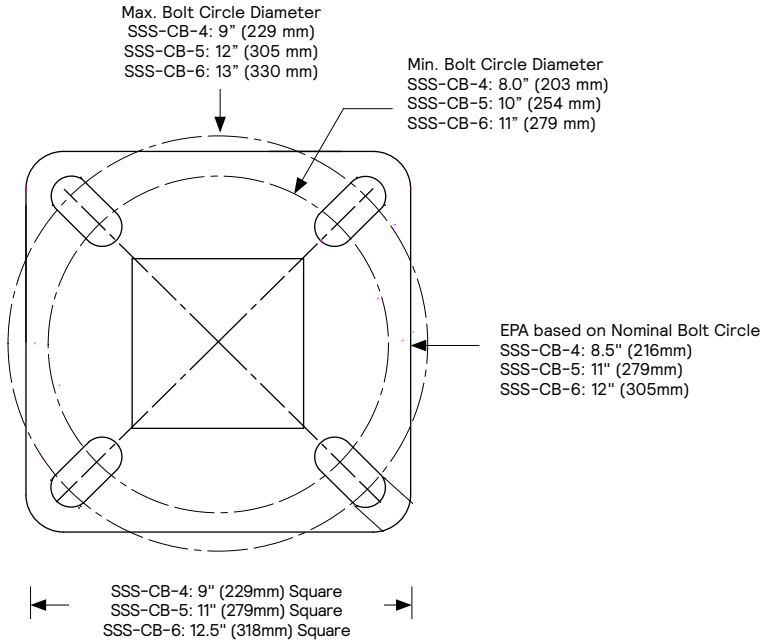
Service	Pole Size	12NC	Description (Diameter x Length x Hook)
<b>Anchor Bolts + Templates</b>			
For shipment with the pole (order 1 per pole)	4" Poles	912401597397	AB 3/4x24x3-G DEC w/ 8.5 BC ABT
	5" Poles	912401613107	AB 1x33x3-G DEC w/ 11 BC ABT
	6" Poles	912401597401	AB 1x33x3-G DEC w/ 12 BC ABT
For Pre-Ship service (order 1 per pole)	4" Poles	912401597405	AB 3/4x24x3-G DEC w/ 8.5 BC ABT-RS
	5" Poles	912401613106	AB 1x33x3-G DEC w/ 11 BC ABT-RS
	6" Poles	912401597408	AB 1x33x3-G DEC w/ 12 BC ABT-RS

Part No.	Description
<b>RLAR-1A-SQ4+ -(finish)</b>	Cast Aluminum mounting arm, 15" long with DT6 drill pattern. (order 1 per luminaire). For use with Lumec Roadway luminaires. Specify finish to match pole.



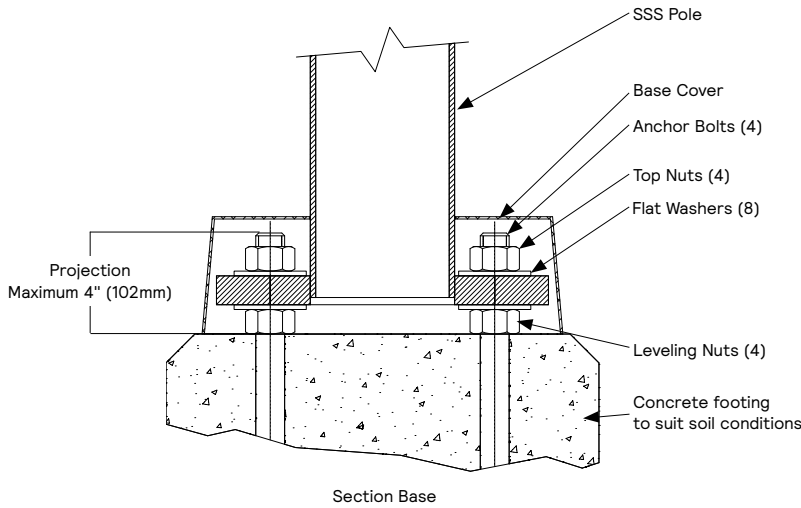
# Poles Straight Square Steel

## Dimensions



Base Cover Dimensions (L x W x H)  
 SSS-CB-4: 9.80" x 9.80" x 4.58" (245mm x 245mm x 116mm)  
 SSS-CB-5: 11.80" x 11.80" x 4.58" (300mm x 300mm x 116mm)  
 SSS-CB-6: 13.30" x 13.30" x 4.58" (338mm x 338mm x 116mm)

SSS Legacy Design not shown.  
 Base Cover: Square  
 Hand Hole: 12" Above Base



\* Anchor Bolt Lock Washers are not normally required and are not included in standard anchor bolt sets. They are available upon request at additional cost.

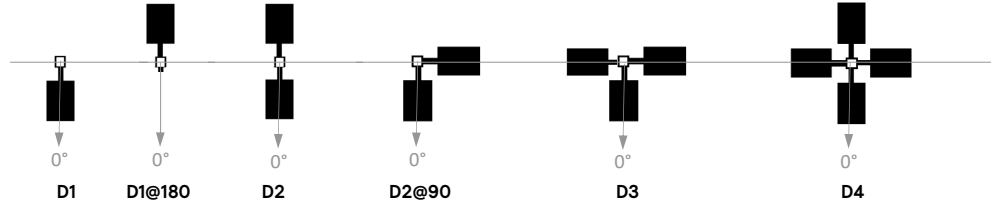
\*\*Grouting should include a drainage slot or tube (by others) to permit water to drain from the base of the pole. Failure to provide drainage may weaken the pole base structure over time and may result in pole base failure, for which Gardco is not responsible.

**NOTE:** Factory supplied template must be used when setting anchor bolts. Gardco will not honor any claim for incorrect anchorage placement from failure to use factory supplied templates.

# Poles Straight Square Steel

## Drilling Configuration

Code	Description
D1	Single Luminaire
D1@180	Single Luminaire @ 180
D2	Two Luminaires @ 180
D2@90	Two Luminaires @ 90
D3	Three Luminaires @ 90
D4	Four Luminaires @ 90

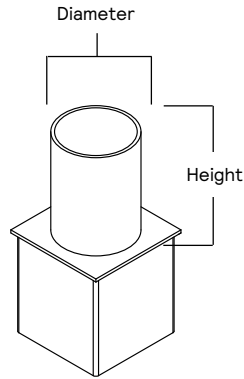


Ref. access door at 0° for all

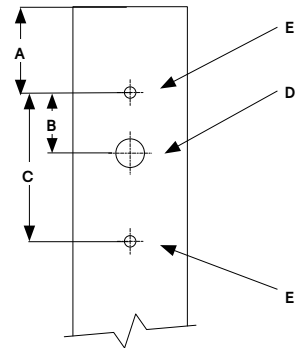
Legacy design places access door at 180°

## Tenon Dimensions

Tenon	Diameter	Height
T2D4L	2.375" (60mm)	4" (102mm)
T2D6L	2.375" (60mm)	6" (152mm)
T3D4L	3" (76mm)	4" (102mm)
T4D6L	4" (102mm)	6" (152mm)



## Pole Top Drilling



## Luminaire Drill Pattern

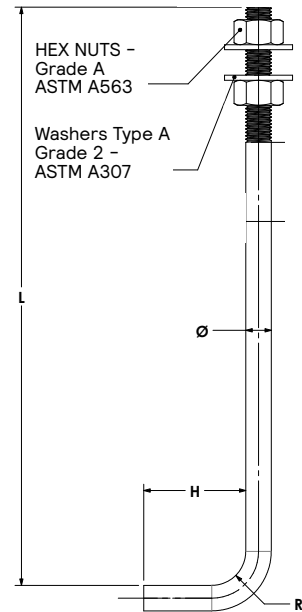
Code	Description	Luminaires	Pole Drilling				
			A To Pole Top	B	C Full Extent	D Wireway Hole	E Bolt Hole
DT1	Drill Template 1	Gardco SlenderForm Round SFRA	2.25" (57mm)	1.5" (38.1mm)	3" (76mm)	0.875" (22.2mm)	0.40" (10.2mm)
DT2	Drill Template 2	Gardco SlenderForm Square - SFA Gardco Gullwing - GL13, GL18 Gardco Form Ten - EH14L, EH19L, CAL17, CAL22, MAL17, MAL22	2.25" (57mm)	2.17" (55mm)	3.84" (98mm)	0.875" (22.2mm)	0.39" (9.9mm)
DT3	Drill Template 3	Gardco PowerForm PFAS	2.25" (57mm)	1.75" (44mm)	3.84" (98mm)	0.875" (22.2mm)	0.41" (10.4mm)
DT4	Drill Template 4	Gen1 Stonco/Keene AL150-G1, AL200-G1	2.5" (64mm)	1.7" (43mm)	3.5" (89mm)	0.875" (22.2mm)	0.41" (10.4mm)
DT5	Drill Template 5	Gardco EcoForm Gen2 - ECF-S, ECF-L Gardco PureForm Gen2 - P15, P20, P26, P34	3" (76mm)	1" (25mm)	3" (76mm)	1" (25mm)	0.41" (10.4mm)
DT6	Drill Template 6	Hole pattern drilled for the following: Gen2 Stonco/Keene AL70-G2 and AL150-G2, or to attach RLAR bracket accessory, suitable for use with: Lumec Capella CPLM, CPLS Lumec RoadStar GPLM, GPLS Lumec RoadFocus RFS, RFM, RFL Lumec RoadView RVM, RVS Lumec MiniView SVS Lumec StreetView SVM	2.5" (64mm)	1" (25mm)	2" (50mm)	0.875" (22mm)	0.5" (12.7mm)

# Poles Straight Square Steel

## Pole Data

Product Catalog Number	Pole Specs				Anchor Bolt Data		
	Height (ft.)	Pole Diameter (in.)	Wall Thickness (in.)	Pole Weight (lbs)	Bolt Circle (in.)	Anchor Bolt Spec (in.)	Anchor Bolt Max Proj. (in.)
SSS-CB-4-11-10	10	4	0.12	63	8.5 (+/- 0.5)	3/4 x 24 x 3	4
SSS-CB-4-11-12	12	4	0.12	76	8.5 (+/- 0.5)	3/4 x 24 x 3	4
SSS-CB-4-11-14	14	4	0.12	88	8.5 (+/- 0.5)	3/4 x 24 x 3	4
SSS-CB-4-11-15	15	4	0.12	94	8.5 (+/- 0.5)	3/4 x 24 x 3	4
SSS-CB-4-11-16	16	4	0.12	101	8.5 (+/- 0.5)	3/4 x 24 x 3	4
SSS-CB-4-11-18	18	4	0.12	113	8.5 (+/- 0.5)	3/4 x 24 x 3	4
SSS-CB-4-11-20	20	4	0.12	126	8.5 (+/- 0.5)	3/4 x 24 x 3	4
SSS-CB-4-11-25	25	4	0.12	157	8.5 (+/- 0.5)	3/4 x 24 x 3	4
SSS-CB-4-7-20	20	4	0.18	185	8.5 (+/- 0.5)	3/4 x 24 x 3	4
SSS-CB-4-7-25	25	4	0.18	232	8.5 (+/- 0.5)	3/4 x 24 x 3	4
SSS-CB-4-7-30	30	4	0.18	278	8.5 (+/- 0.5)	3/4 x 24 x 3	4
SSS-CB-5-11-20	20	5	0.12	158	11 (+/- 1)	1 x 33 x 3	4
SSS-CB-5-11-25	25	5	0.12	197	11 (+/- 1)	1 x 33 x 3	4
SSS-CB-5-11-30	30	5	0.12	237	11 (+/- 1)	3/4 x 24 x 3	4
SSS-CB-5-7-20	20	5	0.18	234	11 (+/- 1)	1 x 33 x 3	4
SSS-CB-5-7-25	25	5	0.18	292	11 (+/- 1)	1 x 33 x 3	4
SSS-CB-5-7-30	30	5	0.18	350	11 (+/- 1)	3/4 x 24 x 3	4
SSS-CB-5-7-35	35	5	0.18	409	11 (+/- 1)	3/4 x 24 x 3	4
SSS-CB-6-7-30	30	6	0.18	423	12 (+/- 1)	1 x 33 x 3	4
SSS-CB-6-7-35	35	6	0.18	493	12 (+/- 1)	1 x 33 x 3	4
SSS-CB-6-7-40	40	6	0.18	564	12 (+/- 1)	1 x 33 x 3	4

## Standard Anchor Bolt



SSS Legacy Design

## Pole Data (cont.)

Product Catalog Number	AASHTO 2001 - EPA ft <sup>2</sup>							
	80 MPH	90 MPH	100 MPH	110 MPH	120 MPH	130 MPH	140 MPH	150 MPH
SSS-CB-4-11-10	30.00	26.82	21.25	17.13	13.99	11.55	9.62	8.07
SSS-CB-4-11-12	28.31	21.72	17.04	13.55	10.88	8.83	7.19	5.88
SSS-CB-4-11-14	23.54	17.83	13.77	10.77	8.48	6.69	5.26	4.15
SSS-CB-4-11-15	21.53	16.22	12.41	9.57	7.43	5.76	4.44	3.36
SSS-CB-4-11-16	19.70	14.69	11.12	8.48	6.47	4.91	3.65	2.66
SSS-CB-4-11-18	16.19	11.82	8.72	6.43	4.67	3.30	2.21	1.33
SSS-CB-4-11-20	13.29	9.46	6.72	4.67	3.13	1.92	N/A	N/A
SSS-CB-4-11-25	7.78	4.86	2.78	1.22	N/A	N/A	N/A	N/A
SSS-CB-4-7-20	22.23	16.63	12.62	9.65	7.40	5.65	4.26	3.15
SSS-CB-4-7-25	14.87	10.59	7.54	5.28	3.56	2.23	1.16	N/A
SSS-CB-4-7-30	6.70	4.40	2.60	1.20	N/A	N/A	N/A	N/A
SSS-CB-5-11-20	22.64	16.51	12.13	8.89	6.43	4.51	2.99	1.76
SSS-CB-5-11-25	14.32	9.62	6.25	3.79	1.90	N/A	N/A	N/A
SSS-CB-5-11-30	4.70	2.00	N/A	N/A	N/A	N/A	N/A	N/A
SSS-CB-5-7-20	30.00	27.78	21.37	16.63	13.01	10.21	7.97	6.17
SSS-CB-5-7-25	25.42	18.54	13.62	9.97	7.19	5.05	3.34	1.98
SSS-CB-5-7-30	10.70	6.70	3.90	2.00	N/A	N/A	N/A	N/A
SSS-CB-5-7-35	5.90	2.50	N/A	N/A	N/A	N/A	N/A	N/A
SSS-CB-6-7-30	19.00	13.20	9.00	5.60	3.30	N/A	N/A	N/A
SSS-CB-6-7-35	12.40	7.60	4.20	N/A	N/A	N/A	N/A	N/A
SSS-CB-6-7-40	7.20	3.00	N/A	N/A	N/A	N/A	N/A	N/A

- Warning:** Additional wind loading, in terms of EPA, from banners, cameras, floodlights and other accessories attached to the pole, must be added to the luminaire(s) EPA before selecting the pole with the appropriate wind load capability. Specifying BAA or BAC compliant poles may result in different EPA ratings.
- Factory supplied template must be used when setting anchor bolts. Gardco will not honor any claim for incorrect anchorage placement resulting from failure to use factory supplied templates. Exact length of anchor bolts may vary.
- EPA ratings are based on the listed, optimal midpoint of the bolt circle. The bolt circle has limited variability but the EPA rating will change.

**NOTE:** Above EPA (Effective Projected Area) rating is in accordance with AASHTO 2001, with a 50 pound load (22.7 kg) placed at 1 foot (305mm) above its center.

# Poles Straight Square Steel

## Specifications

### Pole shaft

The pole shaft is fabricated from a single piece of 11 ga (0.1196") or 7 ga (0.180") high tensile carbon steel. The formed steel plate is longitudinally welded providing minimum yield strength of 50 ksi. Shaft includes factory installed copper ground lug, 10-7 copper wire, and ground lug screw.

### Anchor Base

The pole anchor base is fabricated from 44W structural quality carbon steel with a minimum yield strength of 44 ksi. The base plate is circumferentially welded on both top and bottom.

### Anchor Bolts

Anchor bolts are fabricated from a commercial quality hot rolled carbon steel bar that meets or exceeds a minimum guaranteed yield strength of 55 ksi. Bolts have an "L" bend on one end and threaded on the opposite end. Anchor bolts are galvanized in accordance with ASTM A-153.6 C1.C. Four (4) properly sized bolts, each furnished with two (2) regular hex nuts and two (2) flat washers, are provided per pole (priced and ordered separately), unless otherwise specified. Conforms to AASHTO M 314 90 and ASTM F1554.

### Customer Specified Options

The options, DTX, FES, DR, GFI, AHH, CL\*, and NL\* require factory quotation. Poles with custom drilling templates (DTX) are provided as a service, however Signify holds no liability for improper installation and safety when using non-Signify luminaires or attachments on Gardco poles via drilling, tenon mounting, or coupling and nipple mounting. It is the responsibility of the customer to ensure the pole is loaded and installed in a safe manner to the limitations of the pole structure. See "Warning" paragraph for more details.

### Base Cover

A two-piece painted square aluminum base cover that completely conceals the entire base plate and anchorage. Base cover is provided standard. Legacy design is provided with a composite base cover.

### Hand hole

The hand hole has a nominal rectangular 2"x4.5" inside opening in the pole shaft. Included is an aluminum cover plate, EPDM gasket, and captive attachment screws. The hand hole is located 20" above the base and 0° clockwise with respect to the luminaire arm when viewed from the top of the pole for one arm. For two arms the hand hole is located directly under one arm. Legacy design includes an easy to install, self-contained Swing Latch hand hole cover assembly. U.S. Patent Swing Latch cover is fabricated from durable polycarbonate/ABS blend plastic. All pole assemblies are provided with a 2.50" x 5.00" rectangular hand hole.

### Pole Top Cap

Each pole assembly is provided with a removable aluminum pole top cap painted to match the specified pole and attached with two pressure screws. Legacy design is provided with a removable plastic top push cap. Finish is Black.

### Finish

Poles are available with Gardco's standard textured color finishes - Black, White, Bronze, Dark Grey, Medium Grey, and Lumec GY3 for a match with roadway luminaire finishes. Optional Galvanized finish and custom colors also available. Legacy design is provided with gloss paint on standard finishes.

## General Pole Information

### Design

EPA specs conform to AASHTO 2001 standard. The poles as charted are designed to withstand dead loads and predicted dynamic loads developed by variable wind pressure with an additional 2.5 gust factor under the following conditions: The charted weights include luminaire(s) and/or mounting bracket(s). Poles installed in areas of known abnormal conditions may require special consideration. For example: coastal areas, airports and areas of special winds. Poles are designed for ground mounted applications. Poles mounted on structures (such as buildings and bridges) may also necessitate special consideration requiring Gardco's recommendation. Height correction factors and drag coefficients are applied to the entire structure. An appropriate safety factor is maintained based on the minimum yield strength of the material incorporated in the pole.

### Warning

This design information is intended as a general guideline only. The customer is solely responsible for proper selection of pole, luminaire, accessory and foundation under the given site conditions and intended usage. The addition of any items to the pole, in addition to the luminaire, will dramatically impact the EPA load on that pole. It is strongly recommended that a qualified professional be consulted to analyze the loads given the user's specific needs to ensure proper selection of the pole, luminaire, accessories, and foundation. Gardco assumes no responsibility for such proper analysis or product selections. Failure to ensure proper site analysis, pole selection, loads and installation can result in pole failure, leading to serious injury or property damage.

### Warranty

Gardco Steel poles are covered by a 3-year structural and finish warranty. Legacy designs are covered by a 1-year warranty. For more information visit [signify.com/warranties](http://signify.com/warranties)

