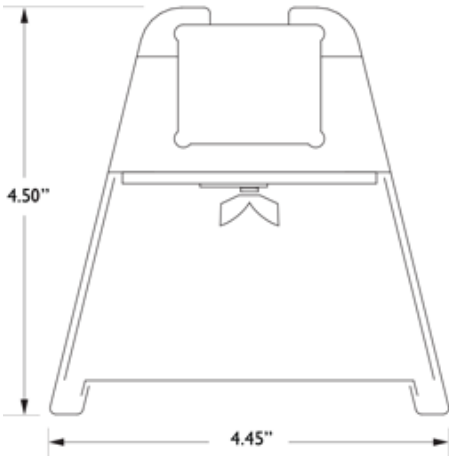


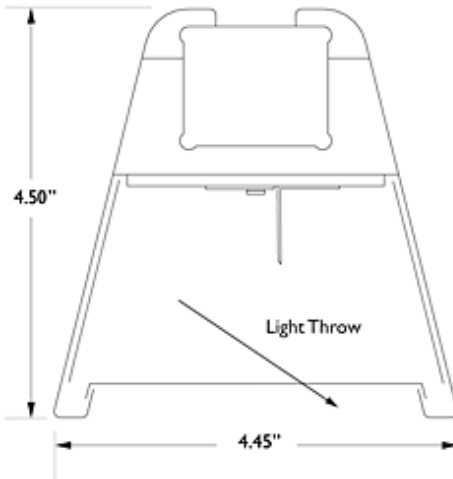
Jump linear surface

Cross Section View

Symmetric

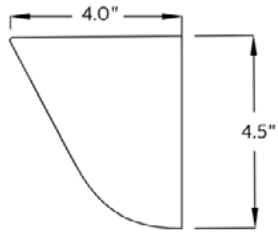
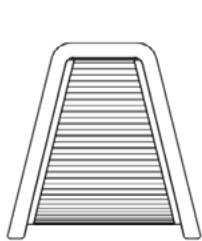


Asymmetric



Cross Section View – Endcaps

S – Luminous Sculpted (standard)

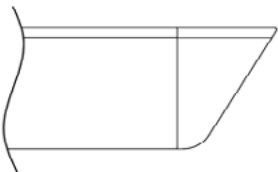


F – Flat

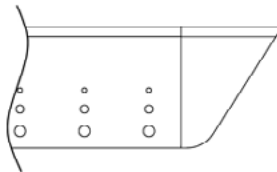


Cross Section View – Optics Details

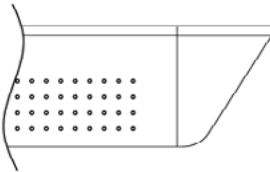
SolidSide



SplashPerf

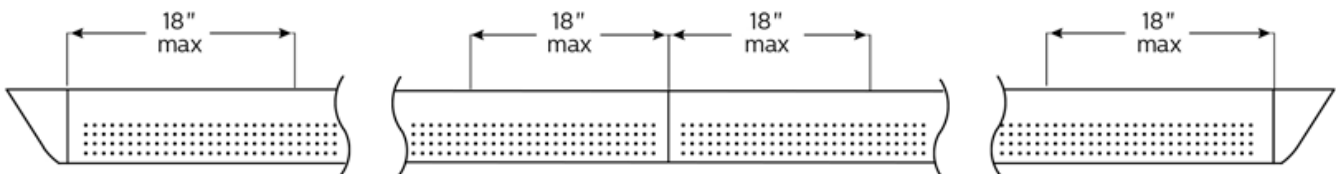


PixelPerf



Module Details & Dimensions

Mounting Run Options



Jump linear surface

Specifications

Optical System

White light emitted from a linear array of downward facing LEDs is laterally redirected using either a biconvex lens or optical microstructures embedded in a layer of MesoOptics DX film. An extruded, ribbed acrylic lens and MesoOptics film assembly then generates an optimal batwing distribution and a uniform continuum of light.

Endcaps

Diecast aluminum, available in luminous sculpted (standard) or flat (optional).

Finish

High quality powder coated, available in matte white, black or titanium silver. Other custom colors available on request.

Housing

20 gauge cold-rolled steel, precision formed and welded with optional perforated patterns.

Weight

Maximum 3.5lb/ft.

Electrical

Factory pre-wired to section ends with quick-wire connectors.

Standard Driver

Advance Xitanium 0-10V, 1-100%. Class 2 rated output. Consult Ledalite for other available drivers.

Standard Battery Pack

Bodine, 90 min, 10W, Class 2 rated output, Emergency lumen output = 10W x luminaire efficacy x 1.1. Typical output: symmetric 1300lm, asymmetric 1100lm.

Lumen Maintenance

At an ambient temperature of 25°C, the LED lumen maintenance expectation according to IES TM-21-11 is:
L80 (12k) >72,000 hrs (Reported methodology)
L70 (12k) 110,000 hrs (Projected methodology).

Source Color

LEDs rated for color rendering CRI >80, R9 >0 and fixture to fixture color accuracy within 2 SDCM.

Mounting

Variable position mounts can be installed up to 18" from each joint and end (suspended, surface, wall or cantilever). In the suspended mount, high strength aircraft cable and stainless steel gripper provide unlimited vertical adjustment and are independently tested to stringent safety standards.

Joints

Self-aligning joining system with hands-free pre-joining wire access.

Approvals

Certified to UL, CSA and IES standards. Certain symmetric versions (12x1L) excluding 3000K, 4900lm/4ft configurations (12x1LCC) are DesignLights Consortium® qualified. Please see the DLC QPL list for exact catalog numbers (www.designlights.org/QPL).

Warranty

Signify indoor professional luminaires 5 year LED warranty: www.signify.com/warranties.

Environment

Rated for dry or damp locations in operating ambient temperatures 0-40°C (32-104°F). Certain luminaire components may be adversely affected by contaminants. Damage caused by sulfur, chlorine, petroleum based solutions or other contaminants in the area of operation are not covered under warranty. Not suitable for natatorium environments.

Due to continuing product improvements, Ledalite reserves the right to change the specifications without notice.

Jump linear surface

Photometrics

MesoOptics + SolidSide Housing (QE) – Symmetric Distribution

Spacing Criteria: 1.12/1.56

(Click "PDF" and "IES" text to Download)

Lumen Package	Nominal CRI & CCT	Flux (lm)	Watts (W)	Efficacy (LPW)	CRI	R9	RP-1 VDT	DLC*	Photometry Report	IES File
4900 lm/4ft	80CRI, 4000K	4896	45.8	106.9	84	10	N/A	Standard	PDF	IES
	80CRI, 3500K	4826	45.4	106.3	83	7	N/A	Standard	PDF	IES
	80CRI, 3000K	4602	45.6	100.9	84	11	N/A	N/A	PDF	IES
3600 lm/4ft	80CRI, 4000K	3661	33.0	110.9	84	10	N/A	Standard	PDF	IES
	80CRI, 3500K	3609	32.6	110.7	83	7	N/A	Standard	PDF	IES
	80CRI, 3000K	3442	32.8	104.9	84	11	N/A	Standard	PDF	IES
2400 lm/4ft	80CRI, 4000K	2320	19.8	117.2	84	10	Normal spaces	Standard	PDF	IES
	80CRI, 3500K	2287	19.6	116.7	83	7	Normal spaces	Standard	PDF	IES
	80CRI, 3000K	2181	19.7	110.7	84	11	Normal spaces	Standard	PDF	IES

*DLC is only available with Advance 0-10V (1% dim) drivers. EM Batt. Packs are also not available on DLC.

CANDELA DISTRIBUTION						Flux
	0	22.5	45	67.5	90	Lumens
0	780	780	780	780	780	
5	767	777	781	791	795	75
15	718	746	797	841	856	224
25	630	691	797	866	885	359
35	527	614	753	821	832	447
45	425	509	642	673	663	454
55	317	372	451	437	420	364
65	195	221	249	233	223	228
75	94	102	105	99	97	108
85	24	24	24	20	19	27
90	0	0	0	0	0	
95	0	0	0	0	0	0
105	0	0	0	0	0	0
115	0	0	0	0	0	0
125	0	0	0	0	0	0
135	0	0	0	0	0	0
145	0	0	0	0	0	0
155	0	0	0	0	0	0
165	0	0	0	0	0	0
175	0	0	0	0	0	0
180	0	0	0	0	0	

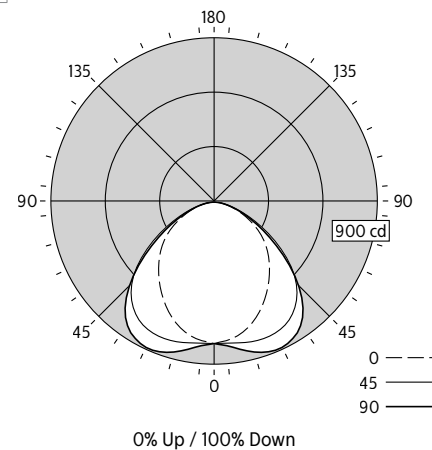
*Photometric data shown is for 2400 lm/4ft, 3500K, 80 CRI configuration.

COEFFICIENTS OF UTILIZATION (%)													
Pc---	80				70				50				0
Pw---	70	50	30	10	70	50	30	50	30	10	0	0	
RCR													
0	119	119	119	119	116	116	116	111	111	111	100		
1	110	105	101	98	107	103	99	99	96	93	85		
2	100	92	86	81	98	91	85	87	82	78	72		
3	92	82	74	68	89	80	73	77	71	66	61		
4	84	72	64	58	82	71	63	69	62	56	53		
5	77	65	56	50	75	64	56	62	54	49	46		
6	71	58	50	43	70	58	49	56	48	43	40		
7	66	53	44	38	65	52	44	51	43	38	35		
8	62	48	40	34	60	48	40	46	39	34	32		
9	58	44	36	31	56	44	36	43	35	31	28		
10	54	41	33	28	53	40	33	39	32	28	26		

ZONAL LUMEN SUMMARY			
Zone	Lumens	%Fixture	%Lamp
0-30	658	28.8%	28.8%
0-40	1105	48.3%	48.3%
0-60	1924	84.1%	84.1%
0-90	2287	100.0%	100.0%
90-130	0	0.0%	0.0%
90-150	0	0.0%	0.0%
90-180	0	0.0%	0.0%
0-180	2287	100.0%	100.0%

Electrical				
120V: P(W), I(A), THD(%), PF	19.6	0.164	8.1	0.994
277V: P(W), I(A), THD(%), PF	19.6	0.073	11.7	0.965
347V: P(W), I(A), THD(%), PF	N/A	N/A	N/A	N/A

AVG LUMINANCE (cd/m²)			
	0	45	90
0	6526	6526	6526
5	6443	6558	6672
15	6214	6903	7412
25	5813	7356	8167
35	5385	7692	8494
45	5027	7595	7839
55	4627	6575	6129
65	3861	4920	4422
75	3025	3387	3148
85	2322	2275	1852



Jump linear surface

Photometrics

MesoOptics + SplashPerf or PixelPerf Housing (QP or QS) – Symmetric Distribution

Spacing Criteria: 1.12/1.56

(Click "PDF" and "IES" text to Download)

Lumen Package	Nominal CRI & CCT	Flux (lm)	Watts (W)	Efficacy (LPW)	CRI	R9	RP-1 VDT	DLC*	Photometry Report	IES File
4900 lm/4ft	80CRI, 4000K	5012	45.6	109.9	84	10	N/A	Standard	PDF	IES
	80CRI, 3500K	4940	45.1	109.5	83	7	N/A	Standard	PDF	IES
	80CRI, 3000K	4710	45.4	103.7	84	11	N/A	N/A	PDF	IES
3600 lm/4ft	80CRI, 4000K	3748	32.8	114.3	84	10	N/A	Standard	PDF	IES
	80CRI, 3500K	3695	32.5	113.7	83	7	N/A	Standard	PDF	IES
	80CRI, 3000K	3523	32.6	108.1	84	11	N/A	Standard	PDF	IES
2400 lm/4ft	80CRI, 4000K	2375	19.7	120.6	84	10	Normal spaces	Standard	PDF	IES
	80CRI, 3500K	2342	19.5	120.1	83	7	Normal spaces	Standard	PDF	IES
	80CRI, 3000K	2232	19.6	113.9	84	11	Normal spaces	Standard	PDF	IES

*DLC is only available with Advance 0-10V (1% dim) drivers. EM Batt. Packs are also not available on DLC.

CANDELA DISTRIBUTION						Flux
	0	22.5	45	67.5	90	Lumens
0	764	764	764	764	764	
5	752	760	765	774	778	73
15	703	730	780	823	837	220
25	615	677	781	847	865	351
35	515	601	738	803	813	438
45	413	497	629	657	648	444
55	308	364	443	426	411	356
65	189	217	245	227	219	224
75	91	101	106	101	100	109
85	24	26	29	29	30	32
90	2	6	9	13	14	
95	3	8	12	15	16	12
105	3	13	15	18	18	15
115	3	16	19	20	21	17
125	4	15	22	23	23	16
135	5	13	23	25	25	14
145	6	11	20	24	23	11
155	6	9	15	20	19	7
165	7	8	10	13	13	3
175	7	7	7	8	8	1
180	7	7	7	7	7	

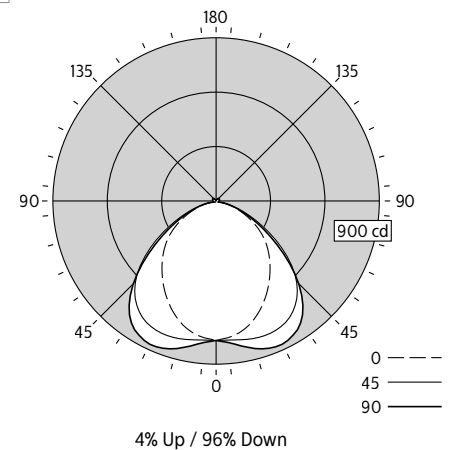
*Photometric data shown is for 2400 lm/ 4ft, 3500K, 80 CRI configuration.

COEFFICIENTS OF UTILIZATION (%)													
Pc---	80				70				50				0
Pw---	70	50	30	10	70	50	30	50	30	10	0	0	
RCR													
0	118	118	118	118	115	115	115	109	109	109	96		
1	109	104	100	96	105	101	98	96	94	91	82		
2	99	91	85	80	96	89	83	85	80	76	69		
3	91	81	73	67	88	79	72	75	69	64	59		
4	83	72	63	57	81	70	62	67	60	55	50		
5	77	64	55	49	74	63	55	60	53	48	44		
6	71	58	49	43	69	57	48	54	47	42	38		
7	66	52	44	38	64	51	43	49	42	37	34		
8	61	48	39	34	59	47	39	45	38	33	30		
9	57	44	36	30	55	43	35	42	35	30	27		
10	53	40	33	27	52	40	32	38	32	27	25		

ZONAL LUMEN SUMMARY			
Zone	Lumens	%Fixture	%Lamp
0-30	644	27.5%	27.5%
0-40	1081	46.2%	46.2%
0-60	1882	80.4%	80.4%
0-90	2246	95.9%	95.9%
90-130	60	2.6%	2.6%
90-150	85	3.6%	3.6%
90-180	95	4.1%	4.1%
0-180	2342	100.0%	100.0%

Electrical				
120V: P(W), I(A), THD(%), PF	19.5	0.163	8.1	0.994
277V: P(W), I(A), THD(%), PF	19.5	0.073	11.7	0.965
347V: P(W), I(A), THD(%), PF	N/A	N/A	N/A	N/A

AVG LUMINANCE (cd/m ²)			
	0	45	90
0	6390	6390	6390
5	6289	6212	6259
15	6023	6130	6392
25	5574	6115	6477
35	5113	5947	6153
45	4703	5388	5111
55	4250	4185	3497
65	3453	2671	2094
75	2559	1408	1124
85	1557	516	424



Jump linear surface

Photometrics

MesoOptics + SolidSide Housing (QE) – Asymmetric Distribution

Spacing Criteria: 1.65/1.30

(Click "PDF" and "IES" text to Download)

Lumen Package	Nominal CRI & CCT	Flux (lm)	Watts (W)	Efficacy (LPW)	CRI	R9	RP-1 VDT	DLC*	Photometry Report	IES File
4200 lm/4ft	80CRI, 4000K	4247	45.8	92.7	84	10	N/A	N/A	PDF	IES
	80CRI, 3500K	4186	45.4	92.2	83	7	N/A	N/A	PDF	IES
	80CRI, 3000K	3991	45.6	87.5	84	11	N/A	N/A	PDF	IES
3100 lm/4ft	80CRI, 4000K	3176	33.0	96.2	84	10	Normal spaces	N/A	PDF	IES
	80CRI, 3500K	3131	32.6	96.0	83	7	Normal spaces	N/A	PDF	IES
	80CRI, 3000K	2985	32.8	91.0	84	11	Normal spaces	N/A	PDF	IES
2000 lm/4ft	80CRI, 4000K	2013	19.8	101.7	84	10	Normal spaces	N/A	PDF	IES
	80CRI, 3500K	1984	19.6	101.2	83	7	Normal spaces	N/A	PDF	IES
	80CRI, 3000K	1892	19.7	96.0	84	11	Critical spaces	N/A	PDF	IES

*DLC is only available with Advance 0-10V (1% dim) drivers. EM Batt. Packs are also not available on DLC.

CANDELA DISTRIBUTION						Flux
	0	22.5	45	67.5	90	Lumens
0	724	724	724	724	724	
5	783	768	707	698	693	71
15	1025	903	686	677	703	224
25	1184	1018	650	675	699	376
35	966	889	597	599	577	442
45	572	564	460	422	375	370
55	315	308	286	257	226	252
65	172	163	155	146	129	153
75	81	74	69	70	62	76
85	9	13	18	21	16	20
90	0	0	0	0	0	
95	0	0	0	0	0	0
105	0	0	0	0	0	0
115	0	0	0	0	0	0
125	0	0	0	0	0	0
135	0	0	0	0	0	0
145	0	0	0	0	0	0
155	0	0	0	0	0	0
165	0	0	0	0	0	0
175	0	0	0	0	0	0
180	0	0	0	0	0	

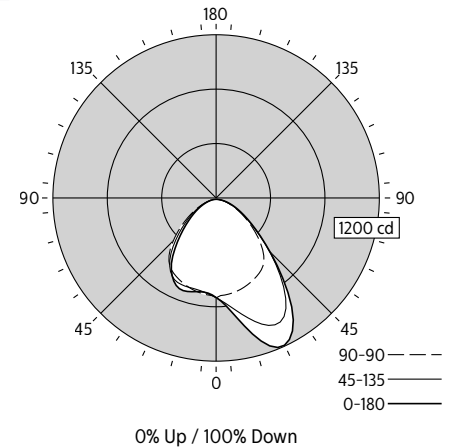
*Photometric data shown is for 2000 lm/4ft, 3500K, 80 CRI configuration.

COEFFICIENTS OF UTILIZATION (%)													
Pc---	80				70				50				0
Pw---	70	50	30	10	70	50	30	50	30	10	0	0	
RCR	0	119	119	119	119	116	116	116	111	111	111	100	
	1	110	106	102	99	108	104	100	100	97	94	87	
	2	101	94	88	83	99	92	87	89	84	80	75	
	3	93	84	77	71	91	82	76	79	74	69	65	
	4	86	75	67	61	84	74	66	71	65	60	56	
	5	80	68	60	53	78	67	59	65	58	53	49	
	6	74	61	53	47	72	61	53	59	52	47	44	
	7	69	56	48	42	67	55	47	54	47	42	39	
	8	64	51	43	38	63	51	43	49	42	37	35	
	9	60	47	39	34	59	47	39	45	39	34	32	
	10	56	44	36	31	55	43	36	42	35	31	29	

ZONAL LUMEN SUMMARY			
Zone	Lumens	%Fixture	%Lamp
0-30	671	33.8%	33.8%
0-40	1112	56.1%	56.1%
0-60	1735	87.4%	87.4%
0-90	1984	100.0%	100.0%
90-130	0	0.0%	0.0%
90-150	0	0.0%	0.0%
90-180	0	0.0%	0.0%
0-180	1984	100.0%	100.0%

Electrical				
120V: P(W), I(A), THD(%), PF	19.6	0.164	8.1	0.994
277V: P(W), I(A), THD(%), PF	19.6	0.073	11.7	0.965
347V: P(W), I(A), THD(%), PF	N/A	N/A	N/A	N/A

AVG LUMINANCE (cd/m ²)			
	0	45	90
0	6054	6054	6054
5	6579	5932	5817
15	8879	5938	6092
25	10930	5998	6453
35	9861	6099	5889
45	6766	5442	4432
55	4589	4175	3295
65	3411	3060	2550
75	2631	2244	2010
85	826	1701	1510



Jump linear surface

Photometrics

MesoOptics + SplashPerf or PixelPerf Housing (QP or QS) – Asymmetric Distribution

Spacing Criteria: 1.69/1.31

(Click "PDF" and "IES" text to Download)

Lumen Package	Nominal CRI & CCT	Flux (lm)	Watts (W)	Efficacy (LPW)	CRI	R9	RP-1 VDT	DLC*	Photometry Report	IES File
4200 lm/4ft	80CRI, 4000K	4266	45.8	93.1	84	10	N/A	N/A	PDF	IES
	80CRI, 3500K	4205	45.4	92.6	83	7	N/A	N/A	PDF	IES
	80CRI, 3000K	4010	45.6	87.9	84	11	N/A	N/A	PDF	IES
3100 lm/4ft	80CRI, 4000K	3191	33.0	96.7	84	10	Normal spaces	N/A	PDF	IES
	80CRI, 3500K	3145	32.6	96.5	83	7	Normal spaces	N/A	PDF	IES
	80CRI, 3000K	2999	32.8	91.4	84	11	Normal spaces	N/A	PDF	IES
2000 lm/4ft	80CRI, 4000K	2022	19.8	102.1	84	10	Normal spaces	N/A	PDF	IES
	80CRI, 3500K	1993	19.6	101.7	83	7	Normal spaces	N/A	PDF	IES
	80CRI, 3000K	1900	19.7	96.4	84	11	Normal spaces	N/A	PDF	IES

*DLC is only available with Advance 0-10V (1% dim) drivers. EM Batt. Packs are also not available on DLC.

CANDELA DISTRIBUTION						Flux
	0	22.5	45	67.5	90	Lumens
0	665	665	665	665	665	
5	710	697	650	647	646	65
15	919	813	633	639	669	206
25	1111	938	604	645	666	353
35	943	850	558	571	551	421
45	579	549	433	402	350	357
55	325	306	270	237	206	244
65	180	165	150	133	129	150
75	88	77	66	74	64	77
85	18	18	15	26	27	25
90	10	8	3	15	17	
95	13	10	3	15	20	13
105	17	14	3	18	23	15
115	19	17	3	20	25	17
125	22	21	4	23	26	16
135	25	20	5	23	27	14
145	23	17	5	19	24	10
155	18	14	6	15	18	6
165	12	9	6	11	12	3
175	7	7	6	7	8	1
180	7	7	7	7	7	

*Photometric data shown is for 2000 lm/4ft, 3500K, 80 CRI configuration.

COEFFICIENTS OF UTILIZATION (%)													
Pc---	80				70				50				0
Pw---	70	50	30	10	70	50	30	50	30	10	0	0	
RCR	0	118	118	118	118	115	115	115	108	108	108	95	
	1	109	105	101	97	106	102	99	97	94	92	82	
	2	100	93	87	81	97	90	85	86	82	78	71	
	3	92	82	75	69	89	81	74	77	71	66	61	
	4	85	74	66	60	82	72	65	69	63	58	53	
	5	78	66	58	52	76	65	57	62	56	50	46	
	6	73	60	52	46	70	59	51	57	50	45	41	
	7	67	55	46	41	65	54	46	52	45	40	37	
	8	63	50	42	36	61	49	41	47	41	36	33	
	9	59	46	38	33	57	45	38	44	37	32	30	
	10	55	42	35	30	54	42	34	40	34	29	27	

ZONAL LUMEN SUMMARY			
Zone	Lumens	%Fixture	%Lamp
0-30	624	31.3%	31.3%
0-40	1045	52.4%	52.4%
0-60	1645	82.5%	82.5%
0-90	1898	95.2%	95.2%
90-130	61	3.0%	3.0%
90-150	85	4.3%	4.3%
90-180	95	4.8%	4.8%
0-180	1993	100.0%	100.0%

Electrical				
120V: P(W), I(A), THD(%), PF	19.6	0.164	8.1	0.994
277V: P(W), I(A), THD(%), PF	19.6	0.073	11.7	0.965
347V: P(W), I(A), THD(%), PF	N/A	N/A	N/A	N/A

AVG LUMINANCE (cd/m²)			
	0	45	90
0	5559	5559	5559
5	5709	5441	5199
15	7020	5424	5112
25	8313	5472	4988
35	7133	5540	4169
45	4566	4927	2764
55	2763	3724	1749
65	1717	2734	1233
75	989	1865	724
85	258	1017	391

