



The **Residential Wall Pack** boasts a discreet design that seamlessly complements any building exterior. With just one SKU, you'll have access to three wattage options and three CCT (Correlated Color Temperature) selectable choices.

Project: \_\_\_\_\_  
 Location: \_\_\_\_\_  
 Cat.No: \_\_\_\_\_  
 Type: \_\_\_\_\_  
 Lamps: \_\_\_\_\_ Qty: \_\_\_\_\_  
 Notes: \_\_\_\_\_

### Ordering guide

Example: RWP30-SCT-G1-10-BZ

Family	CCT	Generation	Input Voltage	Finish
<input type="text" value="RWP30-SCT-G1-10-BZ"/>	<input type="text" value="SCT"/>	<input type="text" value="G1"/>	<input type="text" value="10"/>	<input type="text" value="BZ"/>
RWP30-SCT-G1-10-BZ Residential Wall Pack - Selectable wattage 18W/24W/30W	SCT Field Selectable - 3CCT 3000K, 4000K & 5000K	G1 Generation 1	10 120-277V	BZ Bronze

### Specifications

#### Housing

Die-cast aluminum housing with UV stabilized polycarbonate lens mounted with stainless steel hardware.

#### IP Rating

LED light engine is weather proof rated IP65.

#### Electrical

Electrical Driver efficiency (>90% at full load). Available in 120-277V. IP65 compliant driver. RoHS compliant. Standard surge protection 2kV.

#### Optical System and Controls

Three color temperature options 3000K, 4000K (Default), 5000K. 70 CRI. Photo control button (PCB) included as standard.

#### Mounting

Mounts to standard 3 1/2" to 4" round and octagonal or 4" round electrical junction boxes.

#### Light Engine

System efficacy up to 140lm/W.

#### Lumen output options:

126-134-140 lm/W @3000K  
 140-144-146 lm/W @4000K  
 130-136-140 lm/W @5000K

#### Listings

cETL listed. Suitable for Wet Locations. Suitable for use in ambient from -40°C to 40°C (-40°F to 104°F). All versions are DLC 5.1 qualified.

#### Finish

Powder coat finish, standard color is Bronze (BZ).

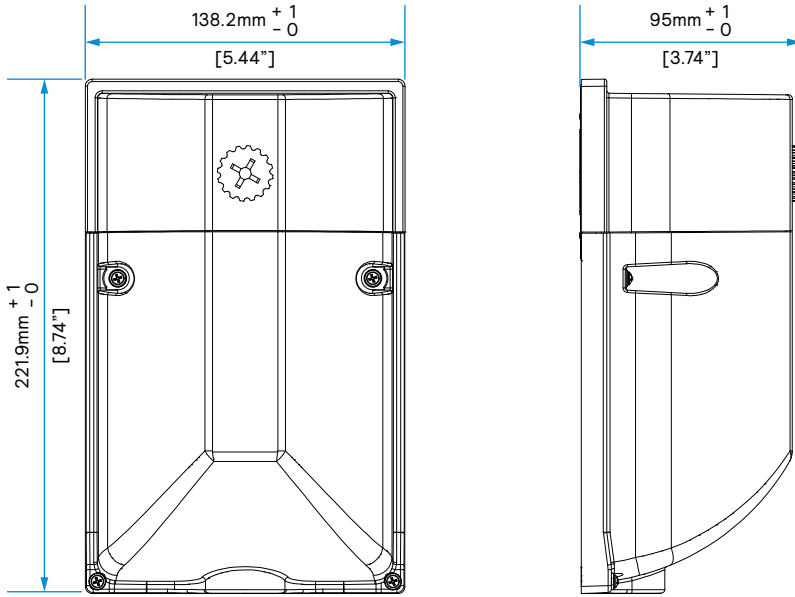
#### Limited Warranty

Luminaires are all covered by a 5-year limited warranty. See [signify.com/warranties](http://signify.com/warranties) for details.

# RWP Residential Wall Pack

## 30W

### Dimensions



### LED Wattage and Lumen Values

Ordering Codes	Total LEDs	System Current (mA)	Color Temp. (K)	Average System Wattage <sup>1</sup>	Lumen Output <sup>1, 2</sup>	Efficacy (LPW)	Weight (kg)
RWP30-SCT-G1-10-BZ	36	550	3000/4000/5000	18W/24W/30W	2600/3400/4100	120	1

1. Wattage and lumen output may vary due to LED manufacturer forward volt specification and ambient temperature. Wattage shown is average for 120V through 277V input. Measured wattage may vary due to variation in input voltage.
2. Lumen values based on photometric tests performed in compliance with IESNA LM-79.

### Predicted Lumen Depreciation Data

Ordering Codes	Ambient Temperature °C	L <sub>70</sub> Per TM-21 <sup>1, 2</sup>	Lumen Maintenance % @ 60,000hrs
RWP30-SCT-G1-10-BZ	-40°C to 40°C	35	86%

1. Predicted performance derived from LED manufacturer's data and engineering design estimates, based on IESNA LM-80 methodology. Actual experience may vary due to field application conditions.
2. L70 is the predicted time when LED performance depreciates to 70% of initial lumen output.