



by ©ignify

Garage & Canopy

SoftView



**Parking
with confidence**



Rest assured, with the comfort of SoftView



Breathe easy

When garages are constantly lit to maintain a sense of security, maintenance and operating costs can become expensive. Patrons should enjoy peace of mind as they leave their vehicles unattended, drive, and move about in a parking garage, and now, achieving this doesn't have to come at the expense of high energy and maintenance costs. Introducing Gardco SoftView LED parking garage luminaires – designed to create comfort for patrons and parking garage owners alike.

- SoftView parking garage luminaires use indirect illumination for reduced glare and increased visual comfort
- Uplight feature eliminates the cave effect so that your patrons can feel comfortably secure, while 80CRI provides improved visibility
- Lumen packages ranging from 1,900-18,000 to cover a variety of applications
- Energy savings are further enhanced through a variety of dimming and control options



Comfort starts at the edge

When directly viewed, LED garage luminaires can create a harsh, unpleasant glare. SoftView parking garage luminaires use comfort optics, which create uniform indirect illumination that increases visual comfort without compromising performance or exposing viewers to harsh glare. Unlike traditional HID technologies that waste light directly underneath the luminaire, SoftView efficiently provides uniform illumination to eliminate dark spots that can obstruct vision, adding and a sense of security within the space.

SoftView parking garage luminaires with comfort optics help reduce glare to increase visual comfort.

Accentuate welcoming surroundings

Whether traveling across the country or going out for a night on the town, patrons should enjoy peace of mind as they leave their vehicles unattended, drive, and move about in a parking garage. Create a welcoming space that invites patrons to park and move around with a sense of security. With uplight directed onto the ceiling, SoftView parking garage luminaires increase a feeling of openness in the space, without the gloomy cave effect that may make some garage users feel unsafe.

A variety of lumen packages, color temperatures and mounting options, and four distribution patterns are available to help to create your ideal parking garage environment.



SoftView LED parking garage luminaires

Comfort optics

Low glare illumination provides enhanced visual comfort

Integral control options

When specified, Emergency and Motion Response control options are fully integral to the luminaire; hidden microwave sensor also available

interact
ready.

Optical distributions

Four distribution patterns available to address garage lighting needs:

- Type 1R Rectangular
- Type 3 Asymmetric
- Type 5 Symmetrical
- Concentrated Downlight

Color temperatures

3000K 80CRI, 4000K 80CRI, and 5000K 70CRI available

Finish

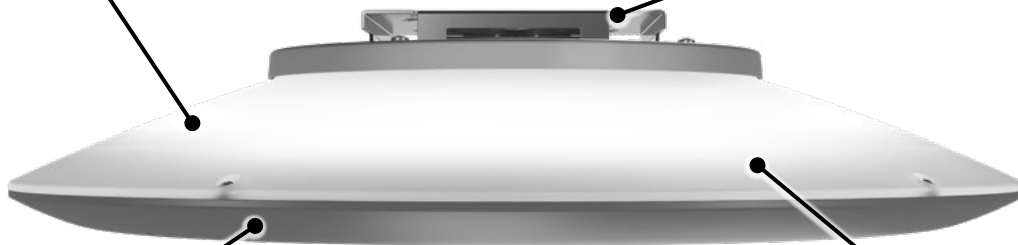
Gray, white, bronze, and optional finishes available

Uplight feature

Durable, impact-resistant polycarbonate upper housing allows for uplight

Rugged mounting bracket

Anodized aluminum upper bracket for maximum durability



IP66-rated luminaire

IP66-rated electrical and optical assembly ensures SoftView is protected from harsh environmental factors to ensure durability and longevity

Low profile

Attractive, round design with 4" profile for ease of installation



Surface Mount



Direct Pendant Mount



Trunnion Mount

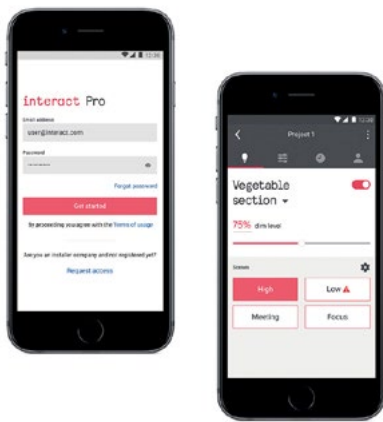


Wall Mount

Unlock connectivity with Interact

Make the leap from smart lighting to super smart lighting

Connectivity is the future and key to unlocking your smart building potential. Interact is a connected system with wireless luminaire level controls and integral occupancy & daylight sensing.



Start simple and lay the foundation

- Smart lighting with luminaire integrated occupancy and daylight sensor.
- Save up to **80%** on installation and material cost compared with more complex systems.¹

1. Compared to wired networked lighting control systems.

Features

- No additional wiring required during installation.
- Motion, daylight sensing and grouping can be done right out of the box.
- A gateway can be added at any time for additional features, such as scheduling and remote management.
- Set up is simple and can be done from your smart phone.
- Interact delivers a consistent experience between indoor and outdoor lighting control.
- Interact is the only system that offers wireless connectivity and control for lamps, luminaires, and retrofit kits.



Controls



Luminaire solutions

Basic. Autonomous. Affordable.

Simple, individual outdoor lighting dimming and management without the need for remote access.

0-10V Dimming

Luminaires are equipped with a dimmable LED driver allowing connection to external dimming controls.



Bluetooth Programmable Motion Response

Upon easy installation, Programmable Motion Response dims the luminaires to 20% light output, increases to 100% light output only when motion is detected, and returns to the original low output after 10 minutes. This maximizes outdoor lighting energy savings while supporting security efforts. Settings are easily adjusted at the luminaire via Bluetooth® using the sensor configuration mobile app (available in iOS® or Android®).



Microwave Motion Sensor

An optional microwave motion sensor provides motion response via a sensor that is not visible from the luminaire's exterior. This hidden sensor features a wide detection range with 360° coverage area which dims the luminaires to 20% light output, increases to 100% light output only when motion is detected, and returns to the original low output after three minutes.

Savings within reach

While instilling sense of security to parking patrons is critically important, it's not the only consideration towards the success of a parking garage. By incorporating SoftView parking garage luminaires into your retrofit or new construction project, you can save on acquisition, operating and maintenance costs, for a low total cost of ownership.

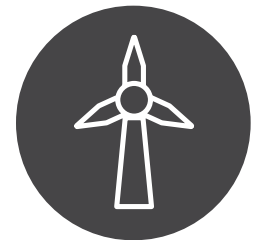
- Less expensive than many competitive LED luminaires, for lower acquisition costs, without sacrificing quality
- LED technology consumes less energy, for lower utility bills, compared to traditional lighting technologies, even during constant operation
- LED technology lasts longer than traditional lighting technologies, for reduced maintenance time and expenses
- Add flexibility and further enhance savings through optional controls, including 0-10V dimming, motion response and wireless controls

This is an ROI example you can achieve by **retrofitting 500 x 100W PSMH luminaires with SoftView, without the use of controls**



60%

Annual energy savings
over HID¹



239

Metric tons of
CO₂ eliminated annually²



2.2

Payback
in years³

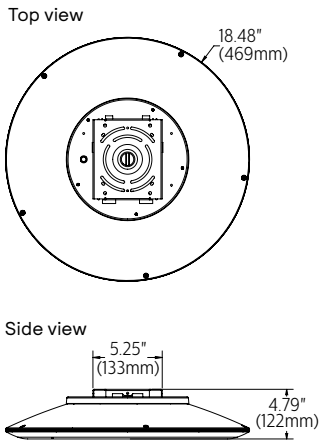
1. Based on comparison between 100W PSMH luminaires (at 129W) and SVPG-A03-840-5RD-SUR-UNV-MG. National average energy rates and other assumptions apply. Contact Signify for more details and to help you determine your savings.

2. Conversion factors for CO₂ calculations courtesy of the U.S. Environmental Protection Agency (U.S. EPA).

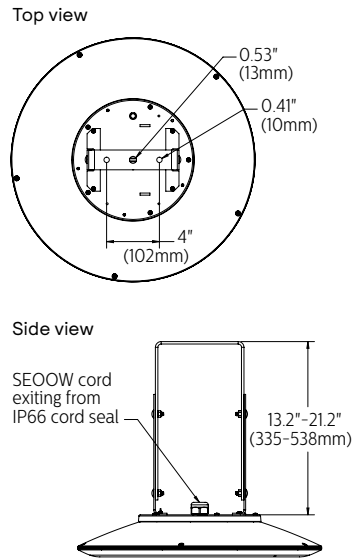
3. Based on national average energy rate and other assumptions. Your specific case may vary. Contact Signify for more details and to help you determine your savings.

Technical information

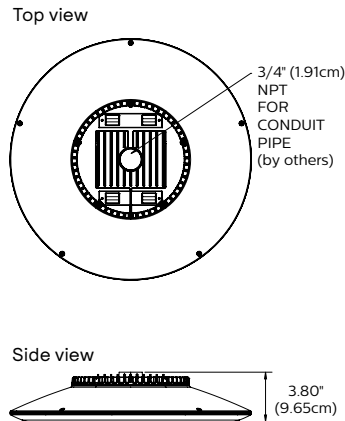
Surface/indirect Pendant mount



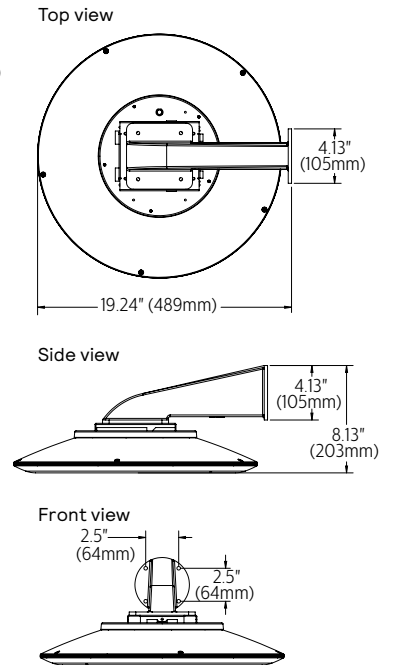
Trunnion mount



Direct pendant mount

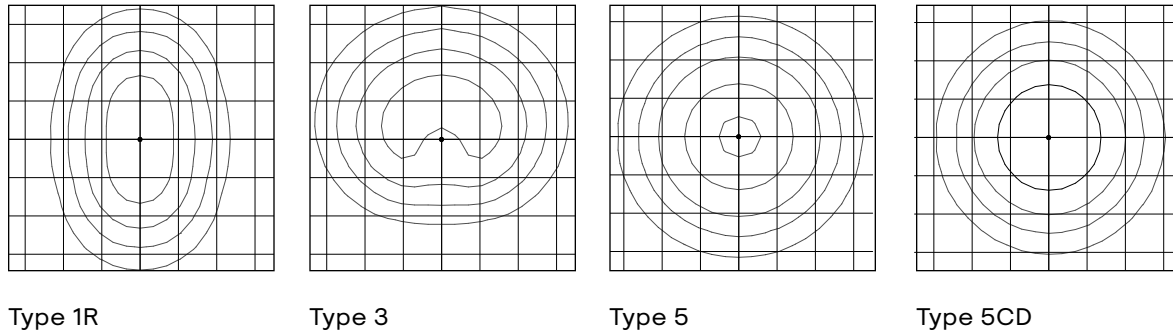


Wall mount



Optical distributions

Based on 10' mounting height



Journey forward

See how **Gardco SoftView LED parking garage luminaires** can inspire reliance in your parking garage while reducing expenses. Contact your local Sales Representative or visit gardcolighting.com for more information.

