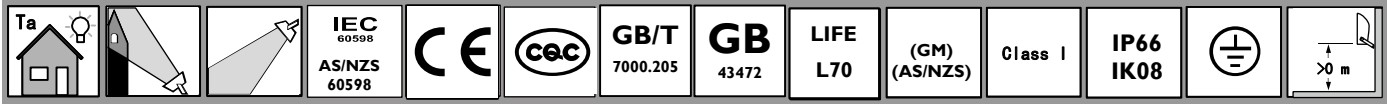


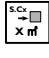

Tango Pro LED Flood

BVP563/565

Mounting instruction / 安装说明书

444170114271 I/18

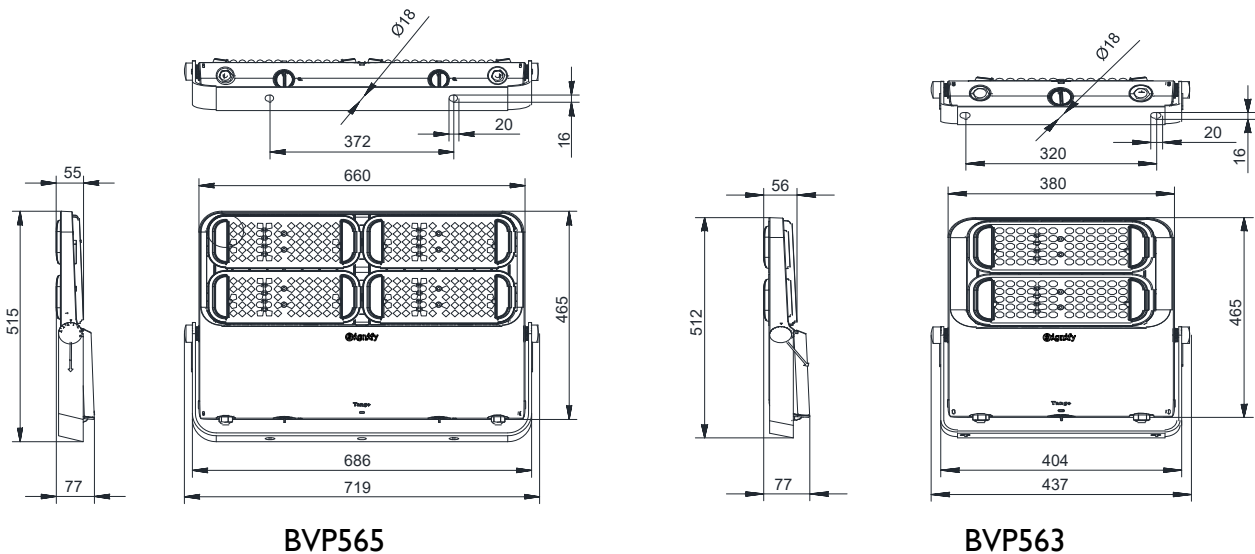


Type	LEDs	Control	Power(W)	Lens	Class	Voltage/Frequency 电压/频率			ta(°C)
BVP563 I16LED725	120/116	EP I-10V	260	AMB SMB SWB SAWB NB S6	I	220~240v 50~60HZ	0.18	7~13	35
BVP563 I20LED350		EP I-10V	260						
BVP563 I20LED350		WLP	260						
BVP563 I20LED700		WLP	260						
BVP563CN I16LED725		EP I-10V	270						
BVP563CN I20LED350		EP I-10V	270						
BVP563CN I20LED350		WLP	270						
BVP563CN I20LED700		WLP	270						
BVP565 232LED725	240/232	EP I-10V	510	SAWB NB S6	I	220~240v 50~60HZ	0.31	12~18	35
BVP565 240LED350		EP I-10V	510						
BVP565 240LED350		WLP	510						
BVP565 240LED700		WLP	510						
BVP565CN 232LED725		EP I-10V	540						
BVP565CN 240LED350		EP I-10V	540						
BVP565CN 240LED350		WLP	540						
BVP565CN 240LED700		WLP	540						
BVP565CN 240LED725	EP I-10V	540							

The explanation for model list:
 BVP56x LEDaaa/bb cccW dddd eeee fff gg
 x denotes housing code, could be 3 or 5; x=3 denotes small version housing, x=5 denotes large version housing.
 aaa denotes rated lumen output, e.g. 522 means 52200 lm.
 bb denotes colour temperature, CW=Cool White, NW=Neutral White, WW=Warm White.
 ccc denotes rated system power, e.g. 400 means 400 Watt.
 dddd denotes type of driver, could be EP/FP/SR/LP/GL/nil.
 eeee denotes type of lens, could be SWB/SMB/AMB/SAWB/NB/S6/nil.
 fff denotes country code: ANZ/nil.
 gg denotes system version, it could be P7, SR or blank, P7 denotes NEMA socket + shorting cap, SR denotes SR socket + shorting cap.
 The order of code can be exchanged.
 Type example: BVP563 LED563/740 380W SR SAWB P7 SR
 BVP563 LED336/840 220W SR AMB P7 SR

*Maximum Number of Luminaire on MCB 16 A Type C 1.6 Time of type B for MCB 16A	*Maximum number of Luminaire on MCB 16A Type B	Alternative Program Driver Inrush Current			Driver Description	Products
		1 pcs driver	2 pcs driver	3 pcs driver		
The electrical circuit Touch current or protective conductor current (in some cases referred to Earth Leakage Current) may be greatly dependent upon electrical supply cables used such as its rating and length, proper connection of electrical supply cables to luminaires and wiring connection topology of luminaires to the supply electrical circuit amongst other site conditions.	4	78A/238us @230V	---	---	929003424480 Xi EP 250W 1.05-1.5A I-10V WLF	BVP563
	5	88.5A/220us @230V	---	---	929001424880 Xi LP 220W 0.3-1.05A SI TWWE I230	BVP563
	5	---	94A/250us @230V	---	929002873106 Xi FP 110W 0.2-0.7A SNLDAE 230V C133 sXt	BVP563
	13	---	98A/290us @230V	---	929002859606 Xi SR 110W 0.2-1.0A SNEMP 230V C150 sXt	BVP563
	10	11.5A/1320us @230V	---	---	929002852206 Xi FP 220W 0.2-1.0A SNLDAE 230V C170 sXt	BVP563
	11	46A/250us @230V	---	---	929000963206 Xi LP 75W 0.2-0.7A SI 230V S240 sXt	BVP563
	11	46A/250us @230V	---	---	929002164406 FP 75W 0.2-0.7A SDAE 230V F sXt	BVP563
	4	44A/422us @230V	---	---	929003389180 Xi LP 250W 0.3-1.05A SI WLI215	BVP563
	2	---	156A/238us @230V	---	929003424480 Xi EP 250W 1.05-1.5A I-10V WLF	BVP565
	2	---	177A/220us @230V	---	929001424880 Xi LP 220W 0.3-1.05A SI TWWE I230	BVP565
	2	---	---	159A/300us @230V	929002164406 Xi FP 150W 0.3-1.05A SDAE 230V F sXt	BVP565
	5	---	---	111A/500us @230V	929002172206 Xi SR 150W 0.3-1.0A SNEMP 230V S240 sXt	BVP565
	5	---	23A/1320us @230V	---	929002852206 Xi FP 220W 0.2-1.0A SNLDAE 230V C170 sXt	BVP565
	9	78A/174us @230V	---	---	929003424280 Xi EP 150W 0.7-1.05A I-10V WLY	BVP565
	8	53A/300us @230V	---	---	929000962806 Xi LP 150W 0.2-0.7A SI 230V S240 sXt	BVP565
	8	53A/300us @230V	---	---	929002164406 Xi FP 150W 0.3-1.05A SDAE 230V F sXt	BVP565
2	---	44A/422us @230V	---	929003389180 Xi LP 250W 0.3-1.05A SI WLI215	BVP565	

Dimensions (mm)
尺寸 (毫米)



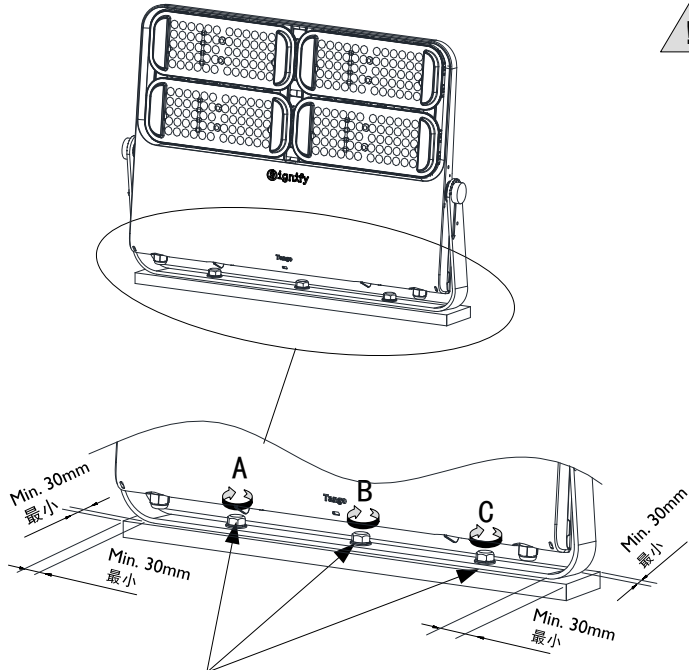
1

Installation instruction 安装说明

Install the luminaire according to the national regulation and make sure it that will not fall off.
按国家法规安装灯具并确保灯具不会坠落

Installation of Signify safe chain 安装Signify安全链

1. No sharp edge on the interface (bracket or hole) of mounting side. 安装侧接口无锐边（支架或孔）
2. For below status, must replace the safe chain by a new one instantly. 发现下面情况之一，安全链必须由一根新的安全链替换。
 - a. The safe chain was tightened one time by luminaire falling; 安全链承受过一次灯具坠落负荷绷紧。
 - b. Part of steel wire was broken; 安全链钢丝有部分断裂损坏。
 - c. While replace the luminaire, the safe chain is a falling protector, not allowed to suspend the luminaire by a long time. 安全链是防坠落保护器具，在替换灯具期间不允许长时间悬挂灯具。

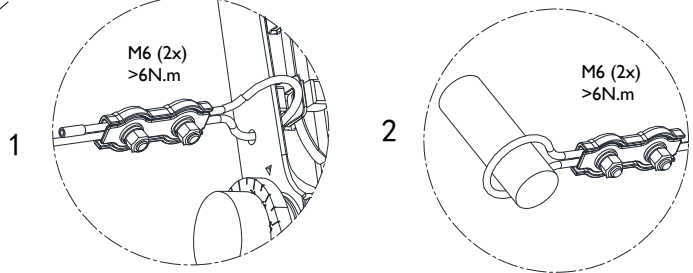
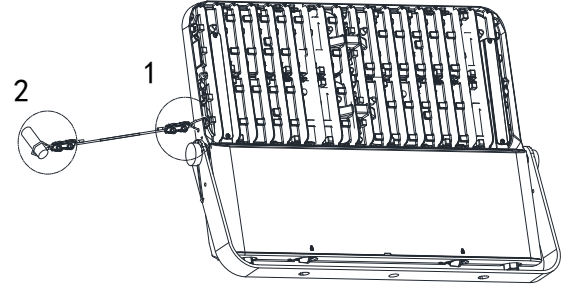


Bolts M16/Flat washer D16/Spring washer D16
Mark: Not provided by Signify
M16螺栓/D16平垫圈/D16弹垫圈

! * The fixation of position A and position C is necessary, and the fixation of position B is not mandatory.
A位置与C位置的固定是必须的，B位置的固定是不强制性的。

24 M16 (3x)
Torque: 50 N.m
扭矩: 50N.m

! * No Supplied for fixing bolts, nuts and washers by Signify
Signify不提供固定螺栓、垫圈和弹垫



! One end of the safety chain is fixed to the side of the Luminaire
安全链的一端固定在灯具侧

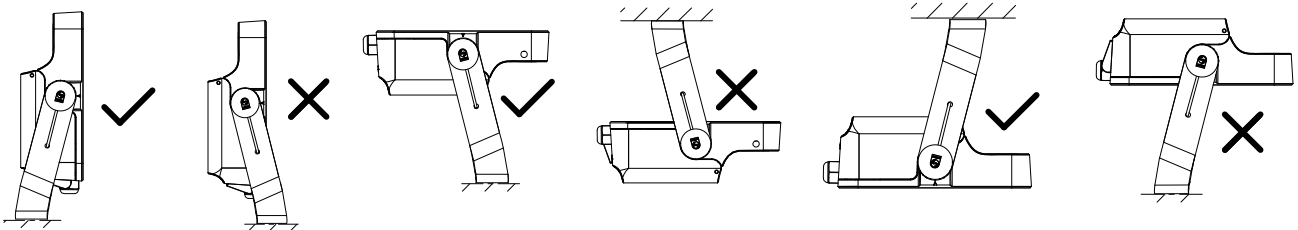
Another end being fixed to safe and reliable devices.
另一端固定到安全和牢固可靠的装置上。

! Signify Safety chain I2NC :911401641709(No supplied in the luminaire) is necessary under strong vibration work condition such as Harbour, Industry, Mining and so on. 灯具安装在有振动的环境譬如港口、工业或矿业作业等环境下，Signify安全链 I2NC:911401641709是必须要安装的，Signify在灯具中不提供此安全链。

2

Tiltable angle of installation 安装倾斜角度

✓ Recommended ✗ Not recommended



If not consider the impact on the direction of light distribution, it can be installed 360 degrees.
如果不考虑对出光方向的影响，可以360度安装。

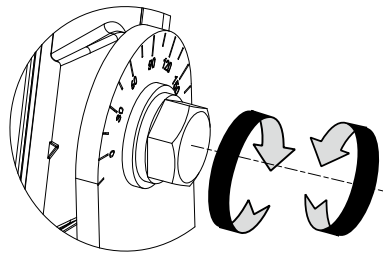
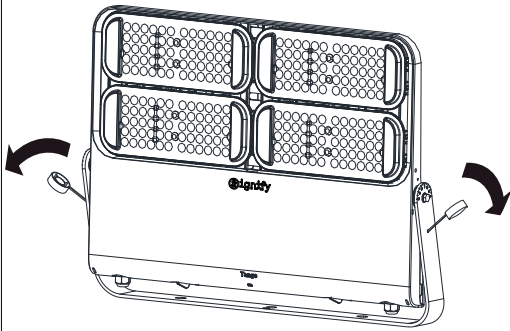
3

Adjusting angle of luminaire 灯具调整角度

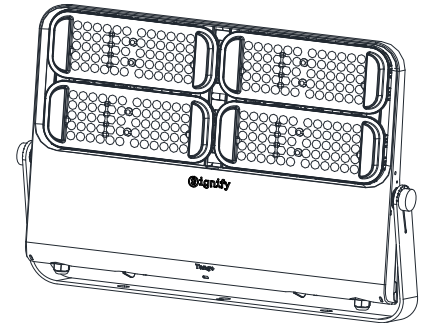
1. Pull caps out at two sides.
拉开塑料耳套。

2. Unlock bolts at two sides for adjusting angle.
调整角度时先松开两侧螺栓。

4. Put two caps back on the bolts.
将两侧塑料耳套套入螺栓上。



3. Fasten the bolts After adjustment.
调整好角度后旋紧两侧螺栓。
M10 (2x) 50N.m



4

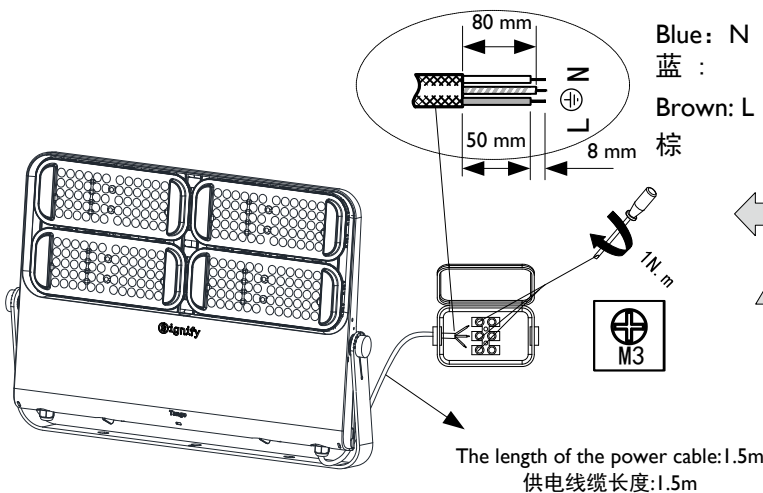
Power cable connection 供电电缆连接

60245IEC57

For GCGM: 3X1.0mm² Ø7~12mm 3 pole 1mm² Multi-core with rubber insulated layer 3X1.0mm²橡胶护套软线

60245IEC57

For ANZ: 3X2.5mm² Ø10~11mm 3 pole 2.5mm² Multi-core with rubber insulated layer 3X2.5mm²橡胶护套软线



Warning: Water proof is needed for cable connection, if without proper water proof, the water ingress will cause luminaire short circuit or other failures. Water proof connection box is recommend, which is not lower than IP66.

警告: 电缆线防水措施是必须的, 如果没有提供恰当的防水措施, 水进入灯具会引起短路或其它故障。推荐防水接线盒等级不能低于IP66.

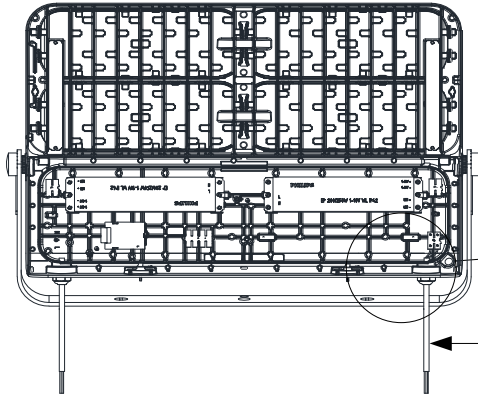
Recommend: Above IP66 Connection box
推荐: IP66以上接线盒

Notice: Connection box is not provided by Signify.
注意: Signify不提供接线盒

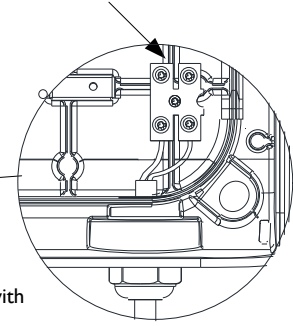
Notice: Correct connection for polarities
注意: 正确的极性连接

5

I-10V/DALI control connection
I-10V/DALI 控制的连接



I-10V/ DALI terminal block
I-10V/ DALI 接线排



Recommend: 2 pole 1 mm² Multi-core with rubber insulated layer
推荐: 2X1.0mm² 2芯橡胶护套软线

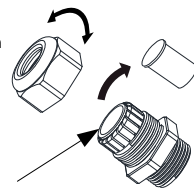
Interface to Power cable
供电电缆的接口

Interface to I-10V/DALI control
I-10V/DALI 控制的接口



Torque : 3Nm
扭矩 : 3Nm

Notice: For the metal cable gland of M22, Torque is 5Nm.
注意: 对于M22的金属电缆接头, 扭矩为5Nm。



Remove the T-sealing
去掉T型密封体

keep the rubber lining in.
保留橡胶衬套

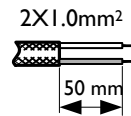
1. Loosen the cap of cable gland, then remove the front plug, should keep the rubber lining in. Insert the cable in and ensure the inner sealing tube not fall off, then fasten the cap.
将电源线防水接头旋开螺帽, 去掉前端密封堵头, 保留橡胶衬套, 插入线缆, 确保橡胶衬套不掉出, 然后旋紧螺帽。

2. Connect the signal cable to I-10V/DALI terminal block.
将信号线缆与I-10V/DALI 端子排连接。

60245IEC57

2 pole 1 mm² Multi-core with rubber insulated layer
2芯橡胶护套软线

Ø7~9mm



Blue : (I-10V+ or DALI)
蓝
Brown : (I-10V- or DALI)
棕



Notice: the cable is not provided by Signify.
注意: Signify不提供此线缆

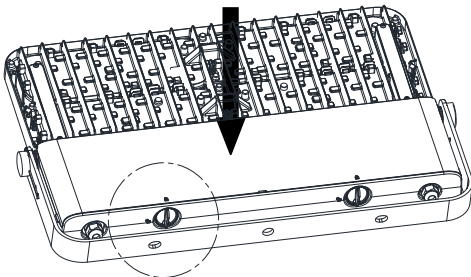


Notice: Correct connection for polarities
注意: 正确的极性连接

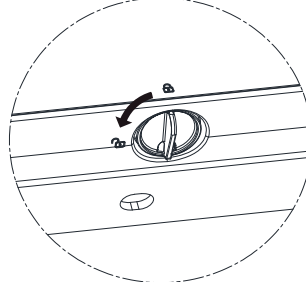
6

Open Gear cover
打开上盖

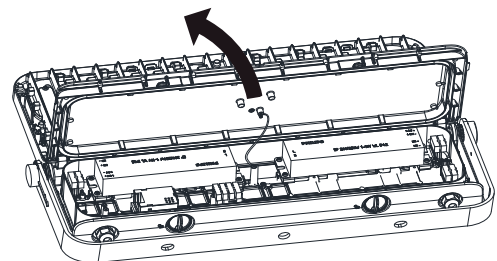
1. Press the cover
按压上盖



2. Turn the knob and make it in the unlocked position.
旋转旋钮使其位于开锁位置



3. open the cover
打开上盖



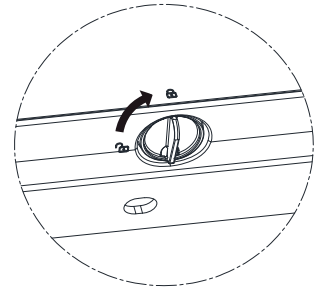
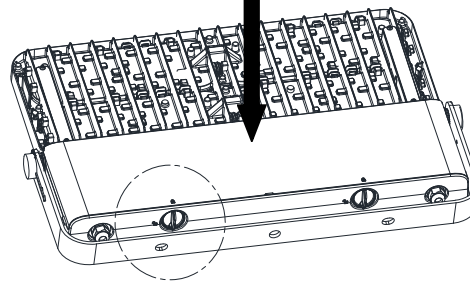
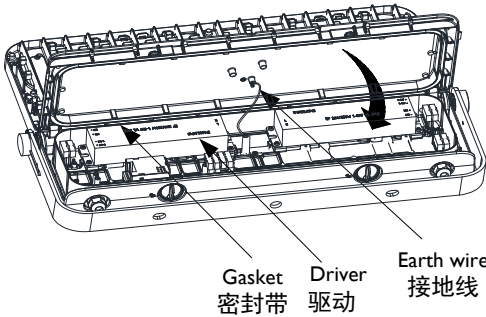
7

1. Close the cover
合上上盖

lock Gear cover
锁紧上盖

2. Press the cover
按压上盖

2. Turn the knob and make it
in the unlocked position.
旋转旋钮使其位于锁紧位置



关闭电器腔盖过程中，请务必注意检查接地线，防止电器腔盖在关闭过程中压到接地线，导致灯具漏水。
When closing gear cover, please make sure to check earth wire, to prevent earth wire pressed by gear cover, causing water leaked in luminaire.

8

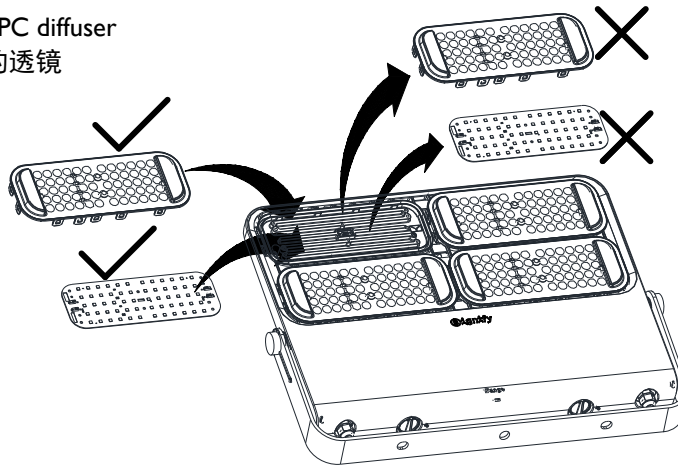
Replacement and maintenance
替换与维护



Danger: electricity

Warning: Switch off main power supply before maintenance
警告：维护前请切断电源

Replacement of PC diffuser
替换损坏的透镜



9

Replacement of driver and SPD
替换损坏的驱动和SPD

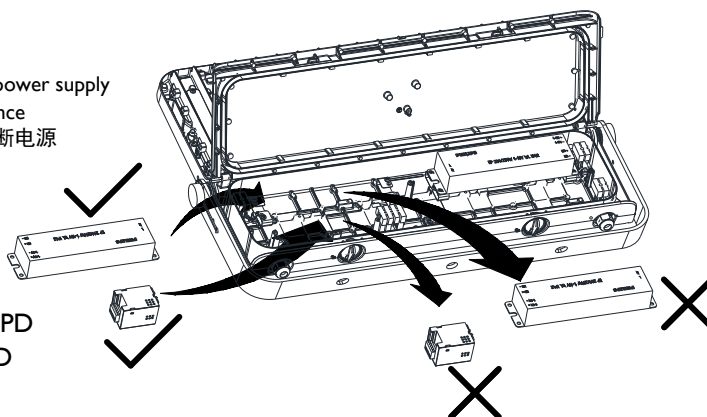


Danger: electricity

Warning: Switch off main power supply
before maintenance
警告：维护前请切断电源

Replacement of driver
替换损坏的驱动

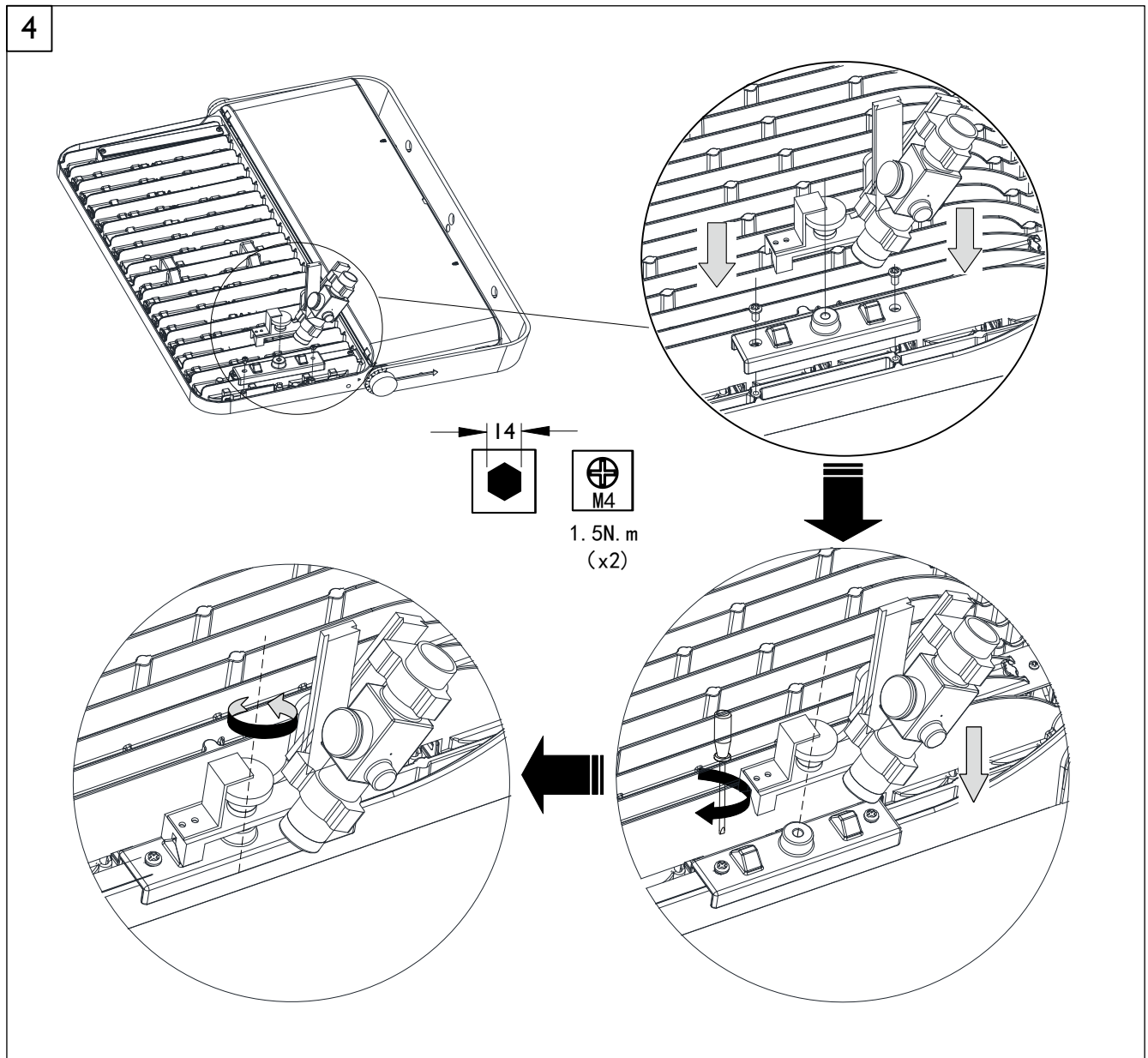
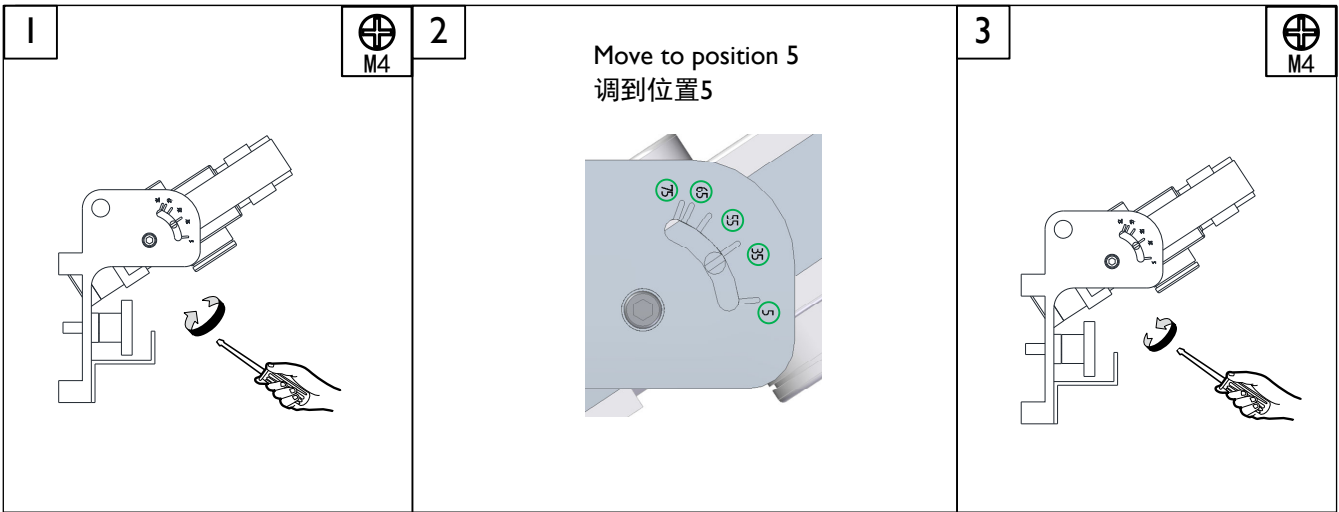
Replacement of SPD
替换损坏的SPD



Accessories – Precision Aiming Device, Only applicable to BVP565.

配件 – 精确瞄准装置，仅适用于BVP565。

This accessory 12NC : 911401645309 is not in luminaire . If needed, please buy it separately.
 灯具产品不包含此配件12NC:911401645309，如有需要，请单独购买。



Warning**警告**警告：触电危险
Danger: electricity

1. The luminaire shall be installed by a qualified electrician and wired in accordance with the latest IEEE electrical regulations or the national requirements.
灯具必须由获得电气资格证书的人员安装和接线，并且符合遵守最新的IEEE电气规章或国家标准要求。
2. Switch off main power supply before installation, maintenance and any operation.
安装，维护和操作灯具等设备前，请切断电源主供应。
3. The light source and/or control gear and/or the external flexible cable contained in this luminaire shall only be replaced by the manufacturer or his service agent or a similar qualified person.
本灯具中包含的光源和/或控制装置和/或外部柔性电缆只能由制造商或其服务代理或类似的合格人员更换。
4. Suitable for outdoor use only. For any other application, pls consult your local sales or distributor.
仅供室外使用，如果有其他特色应用场合，请咨询当地销售或经销商。
5. Please inform yourself about the local waste disposal, separation and collection system for electrical and electronic products and packaging. Please act according to your local rules and do not dispose your old product and packaging with your normal household waste. The correct disposal of the packaging, your product and/or batteries will help prevent potential negative consequences for the environment and human health. Batteries should be disposed separately from the municipal waste stream via designated collection facilities. When disposing a product that contains non-user replaceable batteries, the non-user replaceable batteries shall be removed by a professional.
请自行了解当地电子产品及包装的废物处理、分类及收集制度。请按照当地的规定行事，不要将旧产品和包装与生活垃圾一起处理。正确处理包装、您的产品和/或电池将有助于防止对环境 and 人类健康产生潜在的负面影响。电池应通过指定的收集设施与城市垃圾分开处理。当处理含有不可更换电池的的产品时，不可更换电池应由专业人员取出。
6. Use IP66 grade connection devices with cable clamp to ensure a complete IP66 system.
使用IP66等级的连接装置和设备并携带电缆防水夹紧接头来保证完整的IP66系统等级性能。
7. Refer to technical datasheet for additional electrical properties to ensure installation safely.
涉及到额外电性能技术数据表来安全地保证安装和施工。
8. Ensure power supply cables (L-N / L-N-E) are connected correctly before powering up equipment such as fixtures by closing the power supply.
合上电源灯具等设备通电前，请务必确保供应电缆线和接地线 (L-N / L-N-E) 被正确地连接。
9. Luminaire has basic insulation between Low Voltage supply and control conductors.
低压电源与控制导体之间所保持的绝缘类型是基本绝缘。
10. In this product series, products claiming 500 hours of neutral salt spray are not suitable for areas less than 10 kilometers away from the coast, and products claiming 1000 hours of neutral salt spray are not suitable for areas less than 1 kilometer away from the coast and other corrosion environment, such as port crane, sea-crossing bridge, island...
本产品系列中宣称500小时中性盐雾的产品不适合距离海岸小于10公里的地区，宣称1000小时中性盐雾的产品不适合距离海岸小于1公里的地区，以及其他腐蚀环境，比如港口起重机械，跨海桥梁，岛屿等。
11. After installation, the appearance may change over time due to deterioration of materials and environmental influences.
产品在安装使用一段时间后由于材料的老化以及环境的影响外观会有一些变化。
12. The luminaire should be positioned so that prolonged staring into the luminaire at a distance closer than 36 m is not expected.
灯具的安装位置应使其不会长时间在小于36m的距离被盯着看。
13. The luminaire should avoid storage and usage in such surroundings or an occasion that is with corrosion or hazardous gases like sulfide, halide, phthalate and so on.
灯具应避免在有腐蚀或有害气体环境和场合下储存和使用，像硫化物，卤化物邻苯二甲酸盐等。
14. The PC material cannot be used in such an ambience that is with ethylamine, tetra-dichloroethylene, which is corrosion or hazardous to PC material and so on.
PC材料不能被用在含有乙胺，四氯乙烯等这样对PC材料有腐蚀或伤害环境下。
15. The Luminaire should never be used in submerged wet conditions e.g. under water, soil, snow etc.
请勿将灯具浸没在潮湿的环境中使用，例如：水，土壤，雪等。
16. This product contains a light source of energy efficiency class: E
本产品包含光源的能效等级：E
17. To reduce the risk of strangulation the flexible wiring connected to this luminaire shall be effectively fixed to the wall if the wiring is within arm's reach.
为降低绞勒的风险，若接线在臂伸范围内，则连接至该灯具的软线应有效地固定在墙壁上。
18. Not suitable for use in strong vibration work condition and this product has been verified by vibration test 3G.
本灯具不适合强振动条件下使用，本产品通过3G振动测试。
19. Not suitable for use on moveable surface object.
本灯具不适合用在移动的安装界面上。
20. All materials used in luminaire must be compliance to RoHS as below table.
用在灯具里的所有材料必须遵守和符合像下面表格中的RoHS要求。
21. Luminaire installed must not be in contact with combustible materials.
灯具不允许被安装在易燃材料表面。
22. Manufacturer is not responsible for improper use, change and modification structure on luminaire. Any damage or unsafety losses caused by these factors under not to be allowed, manufacturer do not take any responsibility for this situation.
对于不恰当的使用、更改和修改灯具结构，在未经许可的情况下，任何灯具损坏或由此引起的不安全损失，制造商将不承担任何责任。
23. For further clarification, please contact the manufacturer.
如需进一步的说明，请联系制造商。
24. Storage, installation, use, operation and maintenance of the products needs to be performed exactly according to the instructions in this manual and/or other instructions as may be provided by us to guarantee safe use of the product over its entire lifetime. Failure to adhere to these instructions will invalidate your entitlement to warranty. Bolts with indication of torque strength on the drawing need to be tightened using a calibrated torque wrench. Pre-assembled bolts need to be retightened again to the required torque specification to assure maximum strength over lifetime.
产品的储存、安装、使用、操作和维护必须完全按照手册中的说明和/或我们提供的其他说明进行，以确保产品在整个使用寿命期间安全使用，如果不遵守这些说明，您将无法享受保修服务。图纸上标有扭矩强度的螺栓必须使用校准过的扭矩扳手拧紧，预装螺栓需要再次拧紧到所需的扭矩规格，以确保在整个使用寿命期间达到最大强度。
25. Terminal block not included. Installation must be performed by a qualified person.
不包括接线端子。安装应由有资质的人员进行。
26. This product is not suitable for use in flammable, explosive, or chemical environments.
本产品不适用于易燃易爆及化学品场所。
27. If severely corroded or structural damaged luminaires are found on site, they should be immediately stopped from use.
如果现场发现有外观严重腐蚀或结构破损的灯具，应立即停止使用。
28. Not allowed to be covered.
不允许被覆盖。
29. The servicing of the control gear in this luminaire should only be undertaken by the manufacturer or their service agent or a similarly skilled person.
本灯具中控制装置的维护应仅由制造商或其服务代理或类似的合格人员进行。
30. The control gear of this luminaire is a non-user serviceable component, access to the control gear is only to be undertaken by the manufacturer or their service agent or a similarly skilled person.
本灯具中的控制装置是非用户可维护的组件，控制装置的维护应仅由制造商或其服务代理或类似的合格人员进行。

Maintenance**维护**

1. Periodic clearing of the luminaires' optical lens covers will ensure maximum optical efficiency.
定期清洗灯具的光学透镜盖以保证最大的光效输出。
2. For periodically cleaning maintenance of luminaire, acid solution or alkali solution cannot be used as a cleaning solution to wash outside surface of luminaire.
为了定期的清洗维护灯具的目的，酸性或碱性溶液不能被用来作为冲洗灯具的外表面。

Caution**注意**

1. Luminaire must be used within the applicable product specification of installation instruction and environmental conditions for storage and operation according to application guidelines provided by Signify for valid product warranty.
按Signify提供的灯具产品应用指南和有效的产品保修期规定，灯具储存、操作和运行必须使用在合适的产品规格、安装指导说明和环境条件范围之内。
2. The information presented in this document does not form part of any quotation or contract, is believed to be accurate and reliable and may be changed without notice.
该文件包含的信息不构成任何商务报价或合同的一部分，仅被认为是基于准确和可靠原则，可能做出变更而无通知。



Warning

I. For Australia and New Zealand:

WARNING: FELV terminals marked "Risk of electric shock" are not safe to touch.



Danger: electricity

WARNING: Circuits connected to any FELV control terminal shall be insulated for the LV supply voltage of the control gear and any terminals connected to the FELV circuit shall be protected against accidental contact.

ชื่อสินค้า โคมไฟฟ้า ยี่ห้อ(ระบุที่บรรจุภัณฑ์)
 รุ่น (ระบุที่บรรจุภัณฑ์และบนผลิตภัณฑ์)
 ขนาด (ระบุที่บรรจุภัณฑ์ หรือ บนเอกสารแนะนำวิธีการติดตั้ง)
 คำแนะนำ ทราบขนาด ประเภทหรือแบบชื่อ และวิธีการใช้งานก่อนทำการสั่งซื้อ
 'สามารถสอบถามข้อมูลเพิ่มเติม ณ จุดขายหรือติดต่อศูนย์บริการ
คำเตือน
 - ติดตั้งอุปกรณ์ให้เรียบร้อยโดยผู้ชำนาญก่อนเปิดใช้งาน
 - ห้าม ใช้งานร่วมกับสวิตช์เรืองแสง/อิเล็กทรอนิกส์
 - ห้ามตัดแปลงหรือ ใช้งานร่วมกับอุปกรณ์ที่ไม่ได้มาตรฐาน
 - ต้อง ใช้งานกับอุปกรณ์สำหรับต่อสายไฟแบบกันน้ำเข้า
 - ห้าม ใช้งานภายในอาคารหรือบริเวณที่อากาศถ่ายเทได้ไม่ดี
 - ต้องเลือก ใช้งานตามคุณสมบัติของสินค้าชนิดนั้น
 - ห้ามสัมผัสอุปกรณ์ขณะเปิดใช้งาน เก็บให้พ้นมือเด็ก
 - หากชำรุดโปรดทิ้งอย่างเหมาะสม ห้ามทำการถอดซ่อม
 วิธีเก็บรักษา'เก็บในที่แห้ง อุณหภูมิ 20-40 °C ไม่อับชื้น และพ้นจากมือเด็ก
 วิธีการใช้ ใช้ตกแต่งเพื่อความสวยงามและให้ความสว่าง
 ภายใต้การควบคุมคุณภาพของ SIGNIFY NETHERLANDS B.V.

แรงดันไฟฟ้า (ระบุที่บรรจุภัณฑ์) โวลต์(V)
 กำลังไฟฟ้า (ระบุที่ผลิตภัณฑ์) วัตต์(W)
 ขนาดบรรจุ : (ระบุที่บรรจุภัณฑ์)
 วันที่ผลิต(MFG Date): (ระบุที่บรรจุภัณฑ์)
 ผลิตที่ (made in) : สาธารณรัฐประชาชนจีน
 'ประเภท/แบบชื่อ: (ระบุที่บรรจุภัณฑ์)
 ราคา: แสดง ณ. จุดขาย.....บาท
 www.signify.com

ผู้นำเข้า/จัดจำหน่าย
 บริษัท ชิกนิฟาย คอมเมอร์เชียล (ประเทศไทย) จำกัด
 เลขที่ 1768 ชั้น 26 อาคารไทยซัมมิททาวเวอร์
 ถนนเพชรบุรีตัดใหม่ แขวงบางกะปิ เขตห้วยขวาง
 กรุงเทพฯ 10310
 ศูนย์ข้อมูลผู้บริโภคชิกนิฟาย โทร 02 089 0066

产品中有害物质的名称及含有信息表										
部件名称	有害物质									
	Pb	Hg	Cd	Cr(VI)	PBBs	PBDEs	DBP	DIBP	BBP	DEHP
驱动器 / 电子部件	X	O	O	O	O	O	O	O	O	O
接插件/ 插头	X	O	O	O	O	O	O	O	O	O
注1: O: 表示该有害物质在该部件所有均质材料中的含量均不超出电器电子产品有害物质限制使用国家标准要求。 X: 表示该有害物质至少在该部件的某一均质材料中含量超出电器电子产品有害物质限制使用国家标准要求。 注2: 以上未列出的部件, 表明其有害物质含量均不超出电器电子产品有害物质限制使用国家标准要求。										



RU: Светильник. Страна производства (Made in) см. на упаковке: China/P.R.C – Китай, Poland – Польша, Belgium – Бельгия, Italy – Италия, Netherlands – Нидерланды, Finland – Финляндия, Spain – Испания, Germany – Германия, Hungary – Венгрия, Australia – Австралия, Turkey – Турция, USA/US – США, Mexico – Мексика, EU – ЕС, India – Индия. Назначение: общее освещение. Мощность (W=Ватт), напряжение (V=Вольт), срок службы (h=часы), световой поток (lm=Люмен), частота переменного тока (Hz – Герц) – см. на упаковке/продукте. Правила эксплуатации, меры при обнаружении неисправности: не разбирать, см. правила монтажа и демонтажа. Правила монтажа и демонтажа: перед установкой отключить питание, руководство по экспл: lighting.signify.ru. Условия транспортирования в части воздействия механических факторов – группа Л по ГОСТ 23216. 4.2 Условия хранения светильников должны соответствовать группе условий хранения 2 по ГОСТ 15150. Не бросать. Правила реализации: товар сертифицирован, спрашивайте сертификат у продавца. Условия утилизации узнавайте в местных органах власти или у поставщика. Срок гарантии (если имеется) см. на упаковке. Изготовитель: "Сигнифай Неделендз Б.В.", Хай Тек Кампус 48, 5656 АЕ г.Эйндховен, Нидерланды. Импортер на территорию России и Таможенного Союза: ООО «Сигнифай Евразия», 125315, Г.МОСКВА, ВН.ТЕР.Г. МУНИЦИПАЛЬНЫЙ ОКРУГ АЭРОПОРТ, ПР-КТ ЛЕНИНГРАДСКИЙ, Д. 72, К.2., e-mail:support.rca@signify.com. В случае неисправности: не разбирать, обратиться к продавцу. Дату производства смотри на изделии: ММ/ГТТГ или календарная неделя/год или ДД/ММ/ГГ

KZ: Тұрақты шырағдан, Өндіріс елі (Made in) қаптамадан қараңыз China/P.R.C – Қытай, Poland – Польша, Belgium – Бельгия, Italy – Италия, Netherlands – Нидерланды, Finland – Финляндия, Spain – Испания, Germany – Германия, Hungary – Венгрия, Australia – Австралия, Turkey – Түркия, USA/US – АҚШ, Mexico – Мексика, EU – ЕС, India – Үндістан. Арналуы: жалпы жарықтандыру. Қуатын (W=Ватт), кернеуін (V=Вольт), қызмет ету мерзімін (h=сағат), жарық ағынын (lm=Люмен), цоколін – қаптамадан қараңыз. Пайдалану ережелері, бұзушылықты анықтау кезіндегі шаралар: бөлшектемеңіз, монтаждау және бөлшектеу ережелерін қараңыз. Монтаждау және бөлшектеу ережелері: орнату алдында қорек көзінен ажырату керек, пайдалану жөніндегі нұсқаулық: lighting.signify.kz. Тасымалдау және сақтау ежелері мен шарттары ГОСТ 25834-83 сәйкес. Тастамаңыз. Сату ережелері: тауар сертификатталған, сертификатты сатушыдан сұраңыз. Кәдеге жарату шарттарын жергілікті билік органдарынан немесе жеткізушілерден біліңіз. Кепілдік мерзімін (болған жағдайда) қаптамадан қараңыз.

Производитель: «Сигнифай Неделендз Б.В», Хай Тек Кампус 48, 5656 АЕ, Эйндховен, Нидерланды. Импортер: ТОО «Сигнифай Казахстан», 050051, г. Алматы, пр. Достык 176, БЦ Коктем-2, 3 этаж, e-mail: support.ucca@signify.com. Полный список импортеров на территорию РК смотрите по ссылке: <https://www.lighting.signify.kz/where-to-buy>. Организация, уполномоченная на прием жалоб от потребителей: ТОО «Сигнифай Казахстан», 050051, г. Алматы, пр. Достык 176, БЦ Коктем-2, 3 этаж, e-mail: support.ucca@signify.com.

Өндіруші: «Сигнифай Неделендз Б.В», Хай Тек Кампус 48, 5656 АЕ, Эйндховен қ., Нидерланды. Импорттаушы: «Сигнифай Қазақстан» ЖШС, 050051, Алматы қ., Достық даңғылы 176, Көктем-2 БО, 3 қабат, электрондық пошта: support.ucca@signify.com. ҚР аумағына импорттаушылардың толық тізімін сілтеме бойынша қараңыз: <https://www.lighting.signify.kz/where-to-buy>. Тұтынушылардан шағымдарды қабылдауға уәкілетті ұйым: «Сигнифай Қазақстан» ЖШС, 050051, Алматы қ., Достық даңғылы 176, Көктем-2 БО, 3 қабат, электрондық пошта: support.ucca@signify.com.

VN

Cảnh báo

Bộ đèn phải được lắp đặt bởi thợ điện có chuyên môn và đầu nối theo đúng các quy định điện hiện hành của IEEE hoặc theo yêu cầu quốc gia. Ngắt nguồn điện chính trước khi lắp đặt, bảo trì (như vệ sinh kính, thay SPD, bộ điện...) và mọi thao tác khác.

Nguồn sáng và/hoặc bộ điều khiển và/hoặc cáp mềm bên ngoài đi kèm trong bộ đèn này chỉ được thay thế bởi nhà sản xuất, đại lý dịch vụ hoặc một người có chuyên môn tương đương.

Chỉ thích hợp sử dụng ngoài trời. Đối với các ứng dụng khác, vui lòng liên hệ bộ phận kinh doanh hoặc nhà phân phối tại địa phương.

Bộ đèn sử dụng kính cường lực phẳng, khi vỡ sẽ tạo thành các mảnh vụn hạt nhỏ.

Vui lòng tìm hiểu về hệ thống xử lý, phân loại và thu gom rác thải điện, điện tử và bao bì tại địa phương. Hãy tuân thủ đúng quy định của địa phương và không vứt bỏ sản phẩm hoặc bao bì cũ cùng với rác thải sinh hoạt thông thường. Việc xử lý đúng cách bao bì, sản phẩm và/hoặc pin sẽ giúp ngăn ngừa những tác động tiêu cực tiềm ẩn đến môi trường và sức khỏe con người. Pin cần được xử lý riêng biệt, không lẫn với dòng rác thải đô thị, thông qua các điểm thu gom chuyên dụng. Khi thải bỏ sản phẩm có chứa pin không thể thay thế bởi người dùng, việc tháo gỡ pin này phải do người có chuyên môn thực hiện.

Sử dụng thiết bị kết nối đạt cấp IP66 kèm theo kẹp cáp để đảm bảo toàn bộ hệ thống đạt chuẩn IP66.

Tham khảo bảng thông số kỹ thuật để biết thêm các đặc tính điện nhằm đảm bảo lắp đặt an toàn.

Đảm bảo cấp nguồn (L-N / L-N-E) được đấu nối chính xác trước khi cấp điện cho thiết bị, chẳng hạn như bộ đèn, bằng cách đóng nguồn.

Bộ đèn có cách điện cơ bản giữa Nguồn điện áp thấp và các dây điều khiển.

Trong dòng sản phẩm này (phiên bản không dùng cho cầu trục cảng), các sản phẩm được công bố khả năng chịu phun muối trung tính 500 giờ không phù hợp với khu vực cách bờ biển dưới 10 km, và các sản phẩm được công bố khả năng chịu phun muối trung tính 1000 giờ không phù hợp với khu vực cách bờ biển dưới 1 km cũng như các môi trường ăn mòn khác, chẳng hạn như cảng có cần cầu, cầu vượt biển, đảo...

Sau khi lắp đặt, ngoại quan sản phẩm có thể thay đổi theo thời gian do vật liệu bị xuống cấp và ảnh hưởng của môi trường.

Bộ đèn nên được bố trí sao cho hạn chế việc nhìn lâu vào đèn ở khoảng cách gần hơn X m một cách không mong đợi.

Bộ đèn nên tránh được lưu trữ và sử dụng trong những môi trường hoặc trường hợp có khí ăn mòn hoặc nguy hiểm, chẳng hạn như sulfide, halide, phthalate, v.v.

Vật liệu PC không thể sử dụng trong những môi trường có ethylamine, tetra-dichloroethylene, hoặc các chất ăn mòn hoặc nguy hại đối với vật liệu PC, v.v.

Bộ đèn không bao giờ được sử dụng trong điều kiện ngập nước, chẳng hạn như dưới nước, trong đất, tuyết, v.v.

Sản phẩm này chứa nguồn sáng thuộc lớp hiệu suất năng lượng: X.

Để tránh nguy cơ dây dẫn vướng vào cổ, dây linh hoạt nối với bộ đèn nên được cố định chắc vào tường nếu nằm trong tầm với của tay.

Không thích hợp sử dụng trong điều kiện làm việc có rung động mạnh, và sản phẩm này (phiên bản không dùng cho cầu trục cảng) đã được kiểm tra rung động với mức 3G.

Không phù hợp sử dụng trên các vật thể có bề mặt di động.

Tất cả các vật liệu sử dụng trong bộ đèn đều tuân thủ RoHS, như trình bày trong bảng dưới đây.

Không được lắp đặt bộ đèn tiếp xúc với vật liệu dễ cháy.

Nhà sản xuất không chịu trách nhiệm đối với việc sử dụng không đúng cách, thay đổi hoặc sửa đổi kết cấu của bộ đèn.

Bất kỳ hư hại hoặc mất an toàn nào phát sinh do các yếu tố này mà không được phép, nhà sản xuất sẽ không chịu bất kỳ trách nhiệm nào về tình huống này.

Để được giải thích thêm, vui lòng liên hệ với nhà sản xuất.

Việc lưu trữ, lắp đặt, sử dụng, vận hành và bảo trì sản phẩm cần được thực hiện chính xác theo hướng dẫn trong tài liệu này và/hoặc các hướng dẫn khác có thể được chúng tôi cung cấp, nhằm đảm bảo sử dụng sản phẩm an toàn trong suốt vòng đời của nó. Việc không tuân thủ các hướng dẫn này sẽ làm mất hiệu lực bảo hành của bạn. Các bu-lông có ghi mức mô-men siết trên bản vẽ cần được siết bằng cờ-lê lực đã hiệu chuẩn. Các bu-lông lắp sẵn trước cần được siết lại theo thông số mô-men yêu cầu để đảm bảo độ bền tối đa trong suốt vòng đời.

Sản phẩm này không thích hợp sử dụng trong môi trường dễ cháy, nổ hoặc có hóa chất.

Nếu phát hiện bộ đèn bị ăn mòn nặng hoặc hư hỏng kết cấu tại công trình, cần ngay lập tức ngừng sử dụng.

không được phép che phủ bộ đèn.

Bảo trì

Việc vệ sinh định kỳ mặt kính quang học phía trước của bộ đèn sẽ đảm bảo hiệu suất quang học tối đa.

Trong quá trình bảo trì và vệ sinh định kỳ bộ đèn, không được sử dụng dung dịch axit hoặc kiềm để rửa bề mặt bên ngoài của bộ đèn.

Chú ý

Bộ đèn phải được sử dụng trong phạm vi thông số kỹ thuật áp dụng theo hướng dẫn lắp đặt và các điều kiện môi trường về lưu trữ và vận hành, theo hướng dẫn sử dụng do Signify cung cấp để bảo hành sản phẩm còn hiệu lực.

Thông tin được trình bày trong tài liệu này không phải là một phần của bất kỳ báo giá hay hợp đồng nào, được cho là chính xác và đáng tin cậy, và có thể được thay đổi mà không cần thông báo trước.

KR

경고

조명기구는 자격을 갖춘 전기 기술자가 설치해야 하며 최신 IEEE 전기 규정이나 국가 요구 사항에 따라 배선해야 합니다.

설치, 유지보수(유리, SPD, 드라이버 등) 및 모든 작업을 하기 전에 주 전원을 끄세요.

이 조명기구에 포함된 광원 및/또는 제어 장치 및/또는 외부 유연 케이블은 제조업체나 서비스 담당자 또는 이와 유사한 자격을 갖춘 사람만이 교체해야 합니다.

실외에서만 사용 가능합니다. 다른 용도로 사용하시는 경우, 가까운 판매점이나 유통업체에 문의해 주세요.

조명기구는 평평한 강화 유리를 사용하는데, 깨지면 입자가 큰 파편이 됩니다.

전기 및 전자 제품과 포장재의 지역 폐기를 처리, 분리수거 시스템에 대해 알아보시기 바랍니다. 거주 지역의 규정을 준수하고, 기존 제품과 포장재를 일반 가정 쓰레기와 함께 버리지 마십시오. 포장재, 제품 및/또는 배터리를 올바르게 폐기하면 환경과 인체 건강에 잠재적인 부정적인 영향을 방지하는 데 도움이 됩니다. 배터리는 지정된 수거 시설을 통해 일반 쓰레기와 분리하여 폐기해야 합니다. 사용자가 교체할 수 없는 배터리가 포함된 제품을 폐기할 때는 전문가가 교체할 수 없는 배터리를 제거해야 합니다.

케이블 클램프가 있는 IP66 등급 연결 장치를 사용하여 완벽한 IP66 시스템을 보장합니다.

안전한 설치를 위해 추가적인 전기적 특성에 대한 기술 데이터시트를 참조하세요.

조명기구 등의 장비에 전원을 공급하기 전에 전원 공급 케이블(L-N / L-N-E)이 올바르게 연결되었는지 확인하세요.

조명기구는 저전압 공급선과 제어선 사이에 기본적인 절연이 되어 있습니다.

이 제품 시리즈(크레인 버전이 아닌 경우)에서 500시간 기준의 자연염수분무를 시험한 제품은 해안에서 10km 이내의 지역에는 적합하지 않으며, 1000시간의 기준의 자연염수분무를 시험한 제품은 해안에서 1km 이내의 지역 및 항구 크레인, 해상교량, 섬 등 기타 부식성 환경에 적합하지 않습니다.

설치 후 시간이 지남에 따라 재료의 열화 및 환경적 영향으로 인해 외관이 변할 수 있습니다.

조명기구는 X m보다 가까운 거리에서 조명기구를 장시간 응시하지 않도록 배치해야 합니다.

조명기구는 황화물, 할로겐화물, 프탈레이트 등의 부식성이나 유해 가스가 있는 환경이나 장소에서의 보관 및 사용을 피해야 합니다.

PC 소재는 에틸아민, 테트라디클로로에틸렌 등이 있는 환경에서는 사용할 수 없습니다. 이러한 물질은 PC 소재에 부식을 유발하거나 유해합니다.

조명기구는 물속, 흙, 눈 등 습기가 많은 환경에서는 절대로 사용해서는 안 됩니다.

이 제품에는 에너지 효율 등급 x의 광원이 포함되어 있습니다.

목졸림 위험을 줄이기 위해 조명기구에 연결된 유연한 전선은 팔이 닿는 거리에 있는 경우 벽에 효과적으로 고정해야 합니다.

강한 진동이 있는 작업 환경에서 사용하기에 적합하지 않으며, 이 제품(크레인 버전이 아닌 경우)은 진동 시험 3G를 통해 검증되었습니다.

조명기구에 사용된 모든 재료는 아래 표와 같이 RoHS 규정을 준수합니다.

설치된 조명기구는 가연성 물질과 접촉해서는 안 됩니다.

제조업체는 조명기구의 부적절한 사용, 변경 및 구조 수정에 대해 책임을 지지 않습니다. 이러한 요인으로 인해 발생하는 모든 손상이나 안전

사고는 허용되지 않으며, 제조업체는 이러한 상황에 대해 어떠한 책임도 지지 않습니다.

자세한 내용은 제조업체에 문의하세요.

제품의 보관, 설치, 사용, 작동 및 유지 관리는 제품의 전체 수명 기간 동안 안전한 사용을 보장하기 위해 본 설명서와/또는 당사에서 제공하는 기타 지침에 따라 정확하게 수행되어야 합니다. 이러한 지침을 준수하지 않을 경우 보증 자격이 무효화됩니다. 도면에 토크 강도가 표시된 볼트는 교정된 토크 렌치를 사용하여 조여야 합니다. 사전 조립된 볼트는 수명 기간 동안 최대 강도를 보장하기 위해 필요한 토크 사양에 따라 다시 조여야 합니다.

본 제품은 가연성, 폭발성 또는 화학적 환경에서 사용하기에 적합하지 않습니다.

현장에서 심하게 부식되었거나 구조적으로 손상된 조명기구가 발견되면 즉시 사용을 중단해야 합니다.

조명기구를 덮는 것은 허용되지 않습니다.

유지보수

조명기구의 광학 전면 커버를 주기적으로 청소하면 광학 효율을 최대화할 수 있습니다.

조명기구의 정기적인 청소 및 유지관리를 위해 산성 용액이나 알칼리성 용액을 조명기구의 외부 표면을 세척하는 세척액으로 사용할 수 없습니다.

주의사항

조명기구는 Signify에서 제공하는 적용 가이드라인에 따라 보관 및 작동을 위한 설치 지침의 해당 제품 사양 및 환경 조건 내에서 사용되어야만 유효한 제품 보증이 적용됩니다.

본 문서에 제시된 정보는 어떠한 견적이나 계약의 일부를 구성하지 않으며, 정확하고 신뢰할 수 있는 것으로 믿어지며 사전 통지 없이 변경될 수 있습니다.

Peringatan

Lumener harus dipasang oleh teknisi listrik yang berkualifikasi dan sesuai dengan peraturan kelistrikan IEEE terbaru atau persyaratan nasional. Matikan catu daya utama sebelum pemasangan, pemeliharaan (seperti kaca, SPD, driver...) dan pengoperasian apa pun.

Sumber cahaya dan/atau perlengkapan kendali dan/atau kabel fleksibel eksternal yang terdapat dalam lumener ini hanya boleh diganti oleh pabrikan atau agen servis yang ditunjuk atau pihak serupa yang berkualifikasi.

Cocok untuk penggunaan di luar ruangan saja. Untuk aplikasi lainnya, silakan berkonsultasi dengan penjualan atau distributor lokal Anda.

Lumener menggunakan kaca tempered datar yang menjadi serpihan granular saat pecah.

Bekali diri Anda mengenai sistem pembuangan, pemisahan dan pengumpulan limbah setempat untuk produk dan kemasan listrik dan elektronik. Harap bertindak sesuai dengan peraturan setempat dan jangan membuang produk dan kemasan lama Anda bersama limbah rumah tangga biasa. Pembuangan kemasan, produk, dan/atau baterai Anda dengan benar akan membantu mencegah potensi dampak negatif terhadap lingkungan dan kesehatan manusia.

Baterai harus dibuang secara terpisah dari aliran limbah kota melalui fasilitas pengumpulan yang ditunjuk. Saat membuang produk yang berisi baterai yang tidak dapat diganti oleh pengguna, baterai yang tidak dapat diganti oleh pengguna harus dikeluarkan oleh seorang profesional.

Gunakan perangkat koneksi tingkat IP66 dengan penjepit kabel untuk memastikan sistem IP66 yang lengkap.

Lihat lembar data teknis untuk mengetahui sifat kelistrikan tambahan guna memastikan pemasangan dengan aman.

Pastikan kabel catu daya (L-N / L-N-E) tersambung dengan benar sebelum menghidupkan peralatan seperti perlengkapan dengan menutup catu daya.

Lumener memiliki insulasi dasar antara suplai Tegangan Rendah dan konduktor kontrol.

Dalam seri produk ini (versi non-derek), produk dengan klaim semprotan garam netral 500 jam tidak cocok untuk area yang berjarak kurang dari 10 kilometer dari pantai, dan produk dengan klaim semprotan garam netral 1000 jam tidak cocok untuk area yang berjarak kurang dari 1 kilometer dari pantai dan lingkungan korosi lainnya, seperti derek pelabuhan, jembatan penyeberangan laut, pulau...

Setelah pemasangan, tampilannya dapat berubah seiring waktu karena kerusakan material dan pengaruh lingkungan.

Lumener harus diposisikan sedemikian rupa dalam waktu yang lebih lama pada jarak yang lebih dekat dari X m.

Hindari penyimpanan dan penggunaan lumener di lingkungan atau tempat yang mengandung korosi atau gas berbahaya seperti sulfida, halida, ftalat, dan sebagainya.

Bahan PC tidak dapat digunakan dalam suasana yang mengandung etilamin, tetra-dikloroetilen, yang bersifat korosi atau berbahaya terhadap bahan PC dan sebagainya.

Lumener tidak boleh digunakan dalam kondisi basah terendam, misalnya. di bawah air, tanah, salju, dll.

Produk ini mengandung sumber cahaya kelas efisiensi energi : X.

Untuk mengurangi risiko strangulasi (tercekik), kawat fleksibel yang disambungkan ke lumener ini harus dipasang secara efektif ke dinding jika perkawatannya berada dalam jangkauan tangan.

Tidak cocok untuk digunakan dalam kondisi kerja getaran kuat dan produk ini (versi non-derek) telah diverifikasi dengan uji getaran 3G.

Tidak cocok untuk digunakan pada benda permukaan yang dapat dipindahkan.

Semua bahan yang digunakan dalam lumener mematuhi kepatuhan terhadap RoHS seperti tabel di bawah.

Lumener yang dipasang tidak boleh bersentuhan dengan bahan yang mudah terbakar.

Pabrikan tidak bertanggung jawab atas penggunaan, perubahan, dan modifikasi struktur lumener yang tidak tepat.

Segala kerusakan atau kerugian yang tidak aman yang disebabkan oleh faktor-faktor yang tidak diperbolehkan, pabrikan tidak bertanggung jawab atas situasi ini.

Untuk klarifikasi lebih lanjut, silakan hubungi pabrikan.

Penyimpanan, pemasangan, penggunaan, pengoperasian dan pemeliharaan produk harus dilakukan persis sesuai petunjuk dalam manual ini dan/atau panduan lainnya. Instruksi yang mungkin kami berikan untuk menjamin penggunaan produk yang aman sepanjang masa pakainya. Kegagalan untuk mematuhi petunjuk ini akan membuat hak atas garansi menjadi tidak valid. Baut yang menunjukkan kekuatan torsi pada gambar harus dikencangkan menggunakan kunci torsi yang telah dikalibrasi. Baut yang sudah dirakit sebelumnya perlu dikencangkan kembali sesuai spesifikasi torsi yang diperlukan untuk menjamin kekuatan maksimum sepanjang masa pakai.

Produk ini tidak cocok untuk digunakan di lingkungan yang mudah terbakar, meledak, atau mengandung bahan kimia.

Jika ditemukan lumener yang terkorosi parah atau rusak struktural di lokasi, penggunaan lumener tersebut harus segera dihentikan.

lumener tidak boleh ditutup.

Pemeliharaan

Pembersihan penutup depan optik lumener secara berkala akan menjamin efisiensi maksimum dari optik.

Untuk pemeliharaan pembersihan lumener secara berkala, larutan asam atau larutan alkali tidak dapat digunakan sebagai larutan pembersih untuk mencuci permukaan luar lumener.

Perhatian

Lumener harus digunakan sesuai spesifikasi produk yang berlaku dari instruksi pemasangan dan kondisi lingkungan untuk penyimpanan dan pengoperasian sesuai dengan pedoman aplikasi yang diberikan oleh Signify untuk garansi produk yang valid.

Lumener harus digunakan sesuai spesifikasi produk yang berlaku dari instruksi pemasangan dan kondisi lingkungan untuk penyimpanan dan pengoperasian sesuai dengan pedoman aplikasi yang diberikan oleh Signify untuk garansi produk yang valid.

คำเตือน

โคมไฟจะต้องได้รับการติดตั้งโดยช่างไฟฟ้าที่มีคุณสมบัติ และเดินสายไฟตามข้อบังคับด้านไฟฟ้า IEEE ล่าสุดหรือข้อกำหนดของประเทศ
ปิดแหล่งจ่ายไฟหลักก่อนการติดตั้ง การบำรุงรักษา (เช่น กระจก, SPD, ไดรเวอร์ ฯลฯ) และการดำเนินการใดๆ
แหล่งกำเนิดแสงและ/หรืออุปกรณ์ควบคุมและ/หรือสายเคเบิลแบบยืดหยุ่นภายนอกที่บรรจุอยู่ในโคมไฟนี้จะต้องเปลี่ยนโดยผู้ผลิตหรือตัวแทนบริการหรือบุคคลที่มีคุณสมบัติ
ใกล้เคียงเท่านั้น

เหมาะสำหรับใช้ภายนอกอาคารเท่านั้น สำหรับการใช้งานอื่นๆ โปรดปรึกษาฝ่ายขายหรือตัวแทนจำหน่ายในพื้นที่ของคุณ

โคมไฟใช้กระจกนิรภัยแบบแบน ซึ่งจะกลายเป็นเศษเล็กเศษน้อยเมื่อแตก

โปรดศึกษาข้อมูลเกี่ยวกับระบบกำจัด และรวบรวมขยะในพื้นที่สำหรับผลิตภัณฑ์ไฟฟ้าและอิเล็กทรอนิกส์ รวมถึงบรรจุภัณฑ์ โปรดปฏิบัติตามกฎระเบียบในพื้นที่ของคุณ และ
อย่าทิ้งผลิตภัณฑ์และบรรจุภัณฑ์แก่ธรรมชาติแบบทิ้งไว้ในครัวเรือน การกำจัดบรรจุภัณฑ์ ผลิตภัณฑ์ และ/หรือแบตเตอรี่อย่างถูกต้องจะช่วยให้ปกป้องด้านลบที่อาจเกิดขึ้น
ต่อสิ่งแวดล้อมและสุขภาพของมนุษย์ ควรกำจัดแบตเตอรี่แยกต่างหากจากขยะเทศบาลผ่านสถานที่กำจัดขยะที่กำหนด เมื่อกำจัดผลิตภัณฑ์ที่มีแบตเตอรี่ที่ผู้ใช้เปลี่ยนเองไม่ได้
ควรถูกให้ผู้เชี่ยวชาญเป็นผู้ถอดแบตเตอรี่ที่ผู้ใช้เปลี่ยนเองได้ออก

ใช้อุปกรณ์เชื่อมต่อระดับ IP66 พร้อมที่รัดสายเพื่อให้แน่ใจว่าระบบ IP66 สมบูรณ์

โปรดดูเอกสารข้อมูลทางเทคนิคสำหรับคุณสมบัติทางไฟฟ้าเพิ่มเติมเพื่อให้แน่ใจว่าติดตั้งได้อย่างปลอดภัย

ตรวจสอบให้แน่ใจว่าสายไฟ (L-N / L-N-E) เชื่อมต่ออย่างถูกต้องและจ่ายไฟให้กับอุปกรณ์ เช่น โคมไฟ โดยการปิดแหล่งจ่ายไฟ

โคมไฟมีฉนวนพื้นฐานระหว่างแหล่งจ่ายไฟแรงดันต่ำและตัวนำควบคุม

ในผลิตภัณฑ์ซีรี่ส์นี้ (รุ่นที่ไม่ใช่โครม) ผลิตภัณฑ์ที่อ้างว่าสามารถพันเกลียวเป็นกลางได้ 500 ชั่วโมงนั้นไม่เหมาะสำหรับพื้นที่ที่อยู่ห่างจากชายฝั่งน้อยกว่า 10 กิโลเมตร และ
ผลิตภัณฑ์ที่อ้างว่าสามารถพันเกลียวเป็นกลางได้ 1,000 ชั่วโมงนั้นไม่เหมาะสำหรับพื้นที่ที่อยู่ห่างจากชายฝั่งน้อยกว่า 1 กิโลเมตร และสภาพแวดล้อมที่มีการกัดกร่อนอื่นๆ เช่น
ครุณห์เร็ว สะพานข้ามทะเล เกาะ

หลังการติดตั้งรูปสลักอาจเปลี่ยนไปตามกาลเวลาอันเนื่องมาจากการเสื่อมสภาพของวัสดุและอิทธิพลของสภาพแวดล้อม

ควรวางโคมไฟในตำแหน่งที่ไม่ต้องการให้จ้องมองโคมไฟในระยะใกล้กว่า X เมตรเป็นเวลานาน

ควรหลีกเลี่ยงการจัดเก็บและใช้งานโคมไฟในสภาพแวดล้อมหรือโอกาสที่มีการกัดกร่อนหรือก๊าซอันตราย เช่น ซัลไฟด์ ไฮโดรเจน ซัลไฟด์ และอื่นๆ

วัสดุ PC ไม่สามารถใช้งานได้ในบรรยากาศที่มีเอทิลีนออกไซด์ 500 ชั่วโมงนั้นไม่เหมาะสำหรับพื้นที่ที่อยู่ห่างจากชายฝั่งน้อยกว่า 10 กิโลเมตร และอื่นๆ

ไม่ควรใช้โคมไฟในสภาวะที่เปียกชื้น เช่น ใต้น้ำ ใต้ดิน ใต้หิมะ เป็นต้น

ผลิตภัณฑ์นี้มีแหล่งกำเนิดแสงที่มีประสิทธิภาพพลังงานระดับ: X

เพื่อลดความเสี่ยงของการรั่วคอค สายไฟแบบยืดหยุ่นที่เชื่อมต่อกับโคมไฟนี้จะต้องยึดเข้ากับผนังอย่างมีประสิทธิภาพหากสายไฟอยู่ภายในระยะเอเอ็มถึง

ไม่เหมาะสำหรับใช้งานในสภาวะการทำงานที่มีการสั่นสะเทือนรุนแรง และผลิตภัณฑ์ (รุ่นที่ไม่ใช่โครม) ได้รับการตรวจสอบโดยการทดสอบการสั่นสะเทือน 3G แล้ว

ไม่เหมาะสำหรับใช้กับวัตถุที่มีพื้นผิวเคลื่อนที่

วัสดุทั้งหมดที่ใช้ในโคมไฟเป็นไปตามมาตรฐาน ROHS ดังตารางด้านล่าง

โคมไฟที่ติดตั้งจะต้องไม่สัมผัสกับวัสดุที่ติดไฟได้

ผู้ผลิตจะไม่รับผิดชอบต่อการใช้งาน การเปลี่ยนแปลง และการดัดแปลงโครงสร้างโคมไฟอย่างไม่เหมาะสม หากเกิดความเสียหายหรือการสูญเสียที่ไม่ปลอดภัยใดๆ ที่เกิดจากปัจจัย

เหล่านี้ ผู้ผลิตจะไม่รับผิดชอบต่อสถานการณ์

หากต้องการคำชี้แจงเพิ่มเติม โปรดติดต่อผู้ผลิต

การจัดเก็บ การติดตั้ง การใช้งาน การใช้งาน และการบำรุงรักษาผลิตภัณฑ์ต้องดำเนินการอย่างถูกต้องตามคำแนะนำในคู่มือฉบับนี้ และ/หรือคำแนะนำอื่นๆ ตามที่เรากำหนดไว้

เพื่อรับประกันการรับประกันผลิตภัณฑ์อย่างปลอดภัยตลอดอายุการใช้งาน การไม่ปฏิบัติตามคำแนะนำเหล่านี้จะทำให้สิทธิ์ในการรับประกันของคุณเป็นโมฆะ สลักเกลียวที่มีการระบุ

ค่าแรงบิดบนแบบร่างต้องขันให้แน่นโดยใช้ประแจวัดแรงบิดที่ผ่านการปรับเทียบแล้ว สลักเกลียวที่ประกอบสำเร็จแล้วต้องขันให้แน่นอีกครั้งตามค่าแรงบิดที่กำหนด เพื่อให้มั่นใจได้ถึง

ความแข็งแรงสูงสุดตลอดอายุการใช้งาน

ผลิตภัณฑ์นี้ไม่เหมาะสำหรับใช้ในสภาพแวดล้อมที่ติดไฟ ระเบิดได้ หรือสารเคมี

หากพบโคมไฟที่ถูกกัดกร่อนอย่างรุนแรงหรือโครงสร้างได้รับความเสียหายในสถานที่ ควรหยุดใช้งานทันที

ห้ามมีอะไรมาปิดโคมไฟ

การซ่อมบำรุงและรักษา

การทำความสะอาดคราบด้านหน้าของโคมไฟเป็นระยะๆ จะช่วยให้มีประสิทธิภาพทางแสงสูงสุด

สำหรับการบำรุงรักษา โคมไฟตามระยะ สารละลายกรดหรือสารละลายด่างไม่สามารถใช้กับสารละลายทำความสะอาดเพื่อล้างพื้นผิวภายนอกของโคมไฟได้

ข้อควรระวัง

ต้องใช้โคมไฟตามข้อกำหนดผลิตภัณฑ์ที่เกี่ยวข้อง คำแนะนำในการติดตั้ง และสภาพแวดล้อมในการจัดเก็บและการใช้งานตามแนวทางการใช้งานที่จัดทำโดย Signify เพื่อการ

รับประกันผลิตภัณฑ์ที่ถูกต้อง

ข้อมูลที่นำเสนอในเอกสารนี้ไม่ถือเป็นส่วนหนึ่งของใบเสนอราคาหรือสัญญาใดๆ ถ้าวางถูกต้องและเชื่อถือได้ และอาจมีการเปลี่ยนแปลงโดยไม่ต้องแจ้งให้ทราบล่วงหน้า

RU

Предупреждение

Установка и подключение светильника должны осуществляться квалифицированным персоналом в соответствии с требованиями действующих нормативно-правовых актов, правил и стандартов.

Перед установкой, техническим обслуживанием светильника и его элементов (например, стекло, SPD, драйвер и т. д.) и любыми другими операциями убедитесь, что электрическое питание сети отключено.

Ремонт и замену компонентов, входящих в состав данного светильника, должен осуществлять производитель, авторизованный сервисный центр или квалифицированный специалист.

Подходит только для наружного применения. По вопросам другого применения обратитесь к местному продавцу или дистрибьютору.

Светильник оснащен закаленным стеклом. В случае чрезмерного механического воздействия стекло может разрушиться. При разрушении данное стекло рассыпается на мелкие фрагменты.

Пожалуйста, ознакомьтесь с местной системой сбора и утилизации электрического и электронного оборудования, а также упаковочных материалов. Не выбрасывайте старое изделие и упаковку вместе с бытовыми отходами. Действуйте в соответствии с местными правилами.

Правильная утилизация упаковки, изделия и элементов питания поможет снизить потенциальный вред для окружающей среды и здоровья человека.

Элементы питания подлежат отдельной утилизации через специальные пункты сбора и не должны выбрасываться в общий мусор. Если в изделии установлены элементы питания, не предназначенные для замены пользователем, их должен извлечь квалифицированный специалист. Для обеспечения степени защиты IP66 используйте соединительные устройства и кабельные вводы (сальники) с уровнем защиты не ниже IP66. Дополнительные электрические параметры приведены в техническом паспорте изделия. Ознакомьтесь с ними перед установкой для обеспечения безопасности.

Перед подачей питания на оборудование, убедитесь в правильности подключения сетевых проводов (L-N / L-N-E).

Конструкцией светильника предусмотрена основная изоляция между цепями питания, низкого напряжения и управляющими цепями.

Внимание! Ограничения по применению.

В данной серии продукции (не кранового исполнения) изделия с устойчивостью к нейтральному солевому туману в течение 500 часов не рекомендуется применять на расстоянии менее 10 километров от морского побережья.

Изделия с устойчивостью к нейтральному солевому туману в течение 1000 часов не рекомендуются для использования:

- на расстоянии менее 1 километра от морского побережья;
- в других высокоагрессивных средах, таких как морские портовые зоны, мосты, острова и т.п.

После установки внешний вид может со временем измениться из-за износа материалов и воздействия окружающей среды.

Располагайте светильник так, чтобы исключить возможность длительного визуального наблюдения его светящейся поверхности с расстояния ближе X метров. Учитывайте это при выборе места установки.

Запрещается хранение и эксплуатация светильника в средах, содержащих коррозионно-активные или опасные газы, такие как сульфиды, галогениды, фталаты и т.п.

Запрещается эксплуатация изделия из поликарбоната в средах, содержащих агрессивные или опасные для данного материала вещества, такие как этиламины, тетрахлорэтилен и т.п.

Запрещается эксплуатация светильника в условиях постоянного контакта с водой, например, под водой, в грунте, под слоем снега и т.п.

В данном изделии используется источник света класса энергоэффективности: X.

Во избежание риска удушения гибкий кабель, подключенный к светильнику, должен быть надежно закреплен на стене, если он находится в зоне досягаемости.

Не подходит для использования в условиях сильной вибрации. Данное изделие (не крановое исполнение) прошло испытание на виброустойчивость 3G.

Не подходит для использования на подвижных поверхностях.

Все материалы, используемые в светильнике, соответствуют требованиям RoHS, как указано в таблице ниже.

Внимание! Светильник не должен соприкасаться с горючими материалами.

Производитель не несет ответственности за повреждения или ущерб, вызванные неправильной эксплуатацией, самостоятельным изменением конструкции светильника или любыми другими несанкционированными вмешательствами. Гарантийные обязательства в таких случаях не действуют.

За дополнительной информацией обращайтесь к производителю.

Требования к безопасной эксплуатации

Хранение, монтаж, использование, эксплуатация и техническое обслуживание изделия должны осуществляться в строгом соответствии с настоящим руководством и иными инструкциями Производителя. Это является обязательным условием для обеспечения безопасной работы изделия на протяжении всего срока службы. Несоблюдение данных инструкций ведет к утрате права на гарантию.

Все резьбовые соединения, для которых указан момент затяжки, должны затягиваться с помощью калиброванного динамометрического ключа.

Предварительно установленные (заводская установка) соединения должны быть проверены и повторно затянуты с требуемым моментом для обеспечения максимальной прочности на весь срок службы.

Запрещается эксплуатация изделия в пожароопасных, взрывоопасных и химически агрессивных средах.

При обнаружении на объекте светильников с сильной коррозией или структурными повреждениями необходимо немедленно прекратить их использование.

Запрещено накрывать светильник.

Обслуживание

Регулярная очистка оптических элементов светильников обеспечит его максимальную оптическую эффективность.

Запрещается использовать кислотные и щелочные растворы для регулярного обслуживания и чистки светильника.

Внимание

Для сохранения действия гарантии светильник должен использоваться в строгом соответствии с применимыми техническими характеристиками, инструкцией по монтажу, условиями хранения и эксплуатации, указанными в руководствах по применению компании Signify.

Настоящий документ не является частью коммерческого предложения или договора. Приведенная в нем информация считается точной и надежной, однако производитель оставляет за собой право вносить в нее изменения без предварительного уведомления.

TU

Uyarı

Armatür, yetkili bir elektrikçi tarafından monte edilmeli ve en güncel IEEE elektrik yönetmeliklerine veya ulusal gerekliliklere uygun şekilde kablolanmalıdır. Kurulum, bakım (örneğin cam, SPD, sürücü vb.) veya herhangi bir işlemden önce ana güç kaynağını kapatın.

Bu armatürde bulunan ışık kaynağı ve/veya kontrol donanımı ve/veya harici esnek kablo yalnızca üretici, yetkili servis temsilcisi veya benzer şekilde yetkin bir kişi tarafından değiştirilmelidir.

Yalnızca dış mekân kullanımı için uygundur. Başka herhangi bir uygulama için lütfen yerel satış temsilcinize veya distribütörünüze danışın.

Armatür, kırıldığında taneçikli parçalara ayrılan düz temperli cam kullanır.

Elektrikli ve elektronik ürünler ile ambalajların yerel atık bertarafı, ayrıştırma ve toplama sistemi hakkında bilgi edinin. Lütfen yerel kurallara uygun hareket edin ve eski ürününüzü veya ambalajınızı evsel atıklarla birlikte atmayın. Ambalajın, ürünün ve/veya pillerin doğru şekilde bertaraf edilmesi, çevre ve insan sağlığı üzerinde oluşabilecek olumsuz etkilerin önlenmesine yardımcı olacaktır. Piller, belediye atıklarından ayrı olarak belirlenmiş toplama noktalarına teslim edilmelidir. Kullanıcı tarafından değiştirilemeyen pillere sahip bir ürünün bertarafı sırasında, bu piller profesyonel bir kişi tarafından çıkarılmalıdır.

Tam bir IP66 koruma seviyesinin sağlanması için kablo kelepçeli IP66 sınıfı bağlantı elemanları kullanın.

Güvenli bir kurulum sağlamak için ek elektriksel özellikler hakkında bilgi almak üzere teknik veri sayfasına başvurun.

Güç kaynağını kapatarak armatür gibi ekipmanları çalıştırmadan önce, besleme kablolarının (L-N / L-N-E) doğru şekilde bağlandığından emin olun.

Armatürde, alçak gerilim beslemesi ile kontrol iletkenleri arasında temel yalıtım bulunmaktadır.

Bu ürün serisinde (vinçsiz versiyon), 500 saatlik nötr tuz püskürtme dayanımına sahip ürünler kıyıya 10 kilometreden daha yakın bölgelerde, 1000 saatlik nötr tuz püskürtme dayanımına sahip ürünler ise kıyıya 1 kilometreden daha yakın bölgelerde ve liman vinci, deniz köprüsü, ada gibi diğer korozyonlu ortamlarda kullanıma uygun değildir.

Kurulumdan sonra, malzemelerin yıpranması ve çevresel etkiler nedeniyle ürünün görünümü zamanla değişebilir.

Armatür, X metreden daha yakın bir mesafeden uzun süre doğrudan bakılması beklenmeyecek şekilde konumlandırılmalıdır.

Armatür, sülfür, halojen, ftalat gibi korozyon veya tehlikeli gazların bulunduğu ortamlarda depolanmamalı veya kullanılmamalıdır.

PC malzeme, etilamin, tetra-dikloroetilen gibi PC malzemeye zarar veren veya korozif özellikteki maddelerin bulunduğu ortamlarda kullanılmamalıdır.

Armatür, su altında, toprakta, karda vb. suya batmış ıslak koşullarda kesinlikle kullanılmamalıdır.

Bu ürün, X enerji verimlilik sınıfına ait bir ışık kaynağı içermektedir.

Boğulma riskini azaltmak için, bu armatüre bağlı esnek kablolar kol uzunluğu mesafesi içinde bulunuyorsa, duvara sağlam bir şekilde sabitlenmelidir.

Güçlü titreşimli çalışma koşullarında kullanıma uygun değildir ve bu ürün (vinçsiz versiyon), 3G titreşim testi ile doğrulanmıştır.

Hareketli yüzeyler veya nesnelere üzerinde kullanıma uygun değildir.

Armatürde kullanılan tüm malzemeler, aşağıdaki tabloda belirtildiği şekilde RoHS yönetmeliğine uygundur.

Monte edilen armatür, yabancı malzemelerle temas etmemelidir.

Üretici, armatürün hatalı kullanımı, yapısında değişiklik veya modifikasyon yapılması durumlarında sorumluluk kabul etmez.

Bu tür durumlar sonucu oluşabilecek hasar veya güvenlik riski içeren kayıplardan üretici hiçbir şekilde sorumlu değildir.

Daha fazla bilgi veya açıklama için lütfen üreticimize iletişime geçin.

Depolama, montaj, kullanım, işletme ve bakım işlemleri, ürünün tüm kullanım ömrü boyunca güvenli kullanımını sağlamak amacıyla, bu kılavuzda ve/veya tarafımızca sağlanabilecek diğer talimatlarda belirtilenlere tam olarak uygun şekilde gerçekleştirilmelidir.

Bu talimatlara uyulmaması durumunda garanti hakkınız geçersiz olacaktır.

Çözümde tork değeri belirtilen civatalar, kalibre edilmiş bir tork anahtarı kullanılarak belirtilen tork değerine göre sıkılmalıdır.

Önceden monte edilmiş civatalar da, kullanım ömrü boyunca maksimum dayanımı sağlamak için gerekli tork değerine göre yeniden sıkılmalıdır.

Bu ürün, yabancı, patlayıcı veya kimyasal ortamlarda kullanıma uygun değildir.

Sahada ağır şekilde korozyona uğramış veya yapısal olarak hasar görmüş armatürler tespit edilirse, derhal kullanımdan çıkarılmalıdır.

Armatürün üzeri kapatılmamalıdır.

Bakım

Armatürlerin optik ön kapaklarının düzenli olarak temizlenmesi, maksimum optik verimlilik sağlar..

Armatürün periyodik temizlik bakımında, dış yüzeyini temizlemek için asit veya alkali içeren çözeltiler kullanılmamalıdır.

Dikkat

Geçerli ürün garantisi için, armatür Signify tarafından sağlanan uygulama kılavuzlarına uygun olarak, kurulum talimatlarında belirtilen ürün spesifikasyonları ile depolama ve çalışma ortam koşulları dahilinde kullanılmalıdır.

Bu belgede yer alan bilgiler, herhangi bir teklifin veya sözleşmenin parçası değildir; doğru ve güvenilir olduğu düşünülmektedir, ancak önceden haber verilmeksizin değiştirilebilir.

Ескерту

Жарықтандыру құрылғысы білікті электрикпен орнатылып, электрлік қосу жұмыстары IEEE стандарттарының соңғы нұсқасына немесе ұлттық нормативтік талаптарға сәйкес жүргізілуі тиіс.

Орнату, техникалық қызмет көрсету (мысалы, әйнек, SPD, драйвер және т.б.) және кез келген операцияға кіріспес бұрын негізгі электр қорек көзін ажыратыңыз.

Осы жарықтандыру құрылғысындағы жарық көзі және/немесе басқару аппаратурасы және/немесе сыртқы икемді кабель тек өндірушінің өзі, оның қызмет көрсету агенті немесе соған тең дәрежеде білікті маман тарапынан ғана ауыстырылуы тиіс.

Тек сыртта қолдануға жарайды. Басқа кез келген қолдану үшін жергілікті сату бөліміне немесе дистрибьюторға жүгініңіз.

Бұл жарықтандыру құрылғысында сынған кезде түйіршік тәрізді ұсақ бөлшектерге айналатын жазық шындалған әйнек қолданылады.

Электрлік және электрондық өнімдер мен қаптамаларды кәдеге жарату, бөлу және жинау бойынша жергілікті жүйе туралы алдын ала танысыңыз. Жергілікті ережелерге сай әрекет етіңіз және ескі өніміңіз бен қаптаманы тұрмыстық қалдықпен бірге тастамаңыз. Қаптама, өніміңіз және/немесе батареяларды дұрыс кәдеге жарату қоршаған орта мен адам денсаулығына келетін мүмкін кері әсерлердің алдын алуға көмектеседі. Батареялар коммуналдық қалдықтардан бөлек, арнайы қабылдау пункттері арқылы тапсырылуы тиіс. Пайдаланушы ауыстыра алмайтын батареялары бар өнімді жою кезінде мұндай батареяларды тек кәсіби маман алып тастауы қажет.

Толық IP66 деңгейіндегі жүйені қамтамасыз ету үшін кабель қысқышы бар IP66 санатындағы қосылу құрылғыларын пайдаланыңыз.

Қауіпсіз орнатуды қамтамасыз ету үшін қосымша электрлік сипаттамалар жөнінде техникалық дерекпараққа (datasheet) жүгініңіз.

Қорек беруді (ажыратқышты) қосып, шам секілді жабдықтарды кернеуге қоспас бұрын қорек кабельдерінің (L-N / L-N-E) дұрыс жалғанғанына көз жеткізіңіз.

Бұл жарықтандыру құрылғысында төмен кернеулі қорек тізбегі мен басқару өткізгіштері арасында негізгі ("basic") оқшаулау бар.

Осы өнім сериясында (крандарға арналмаған нұсқа): бейтарап тұзды тұманға (NSS) 500 сағат төзімді деп мәлімделген өнімдер жағалаудан 10 км-ден жақын аймақтарға жарамсыз; ал 1000 сағат төзімді деп мәлімделген өнімдер жағалаудан 1 км-ден жақын аймақтарда және өзге де коррозиялық ортада (мысалы, порт крандары, теңізді кесіп өтетін көпірлер, аралдар және т.б.) қолдануға жарамсыз.

Орнатудан кейін материалдардың тозуы және қоршаған орта әсерлері салдарынан сыртқы көрінісі уақыт өте өзгеруі мүмкін.

Жарықтандыру құрылғысы адамдар оны X м-ден жақынырақ қашықтықта ұзақ уақыт тікелей қарап тұратын жағдай болмауы үшін орналастырылуы тиіс.

Құрылғыны сульфидтер, галогенидтер, фталаттар және т.б. сияқты коррозиялық немесе қауіпті газдары бар ортада сақтауға және пайдалануға болмайды.

Поликарбонат материалына зиянды/коррозиялық ортада, мысалы этиламин, тетрадихлорэтилен және соған ұқсас заттар бар жерде қолдануға болмайды.

Құрылғыны суға, топыраққа, қарға батып тұратын ылғалды жағдайларда (мысалы, су астында және т.б.) пайдалануға болмайды.

Бұл өнімде энергия тиімділігінің X класындағы жарық көзі бар.

Асылып/ілініп қалу қауіпін азайту үшін, егер икемді сым қол жететін жерде болса, оны қабырғаға сенімді түрде бекіту қажет.

Қатты діріл жағдайларында қолдануға жарамсыз; бұл өнім (кранға арналмаған нұсқа) 3G діріл сынағымен расталған.

Қозғалмалы беттерде/нысандарда қолдануға жарамсыз.

Құрылғыда қолданылған барлық материалдар төмендегі кестеде көрсетілгендей RoHS талаптарына сәйкес келеді.

Орнатылған құрылғы жанғыш материалдармен жанаспауға тиіс.

Өндіруші құрылғыны дұрыс пайдаланбау, құрылымын өзгерту немесе модификациялау салдарынан туындайтын кез келген зиян мен қауіптілік үшін жауап бермейді. Мұндай рұқсат етілмеген әрекеттерден келетін кез келген залалға өндіруші жауапты емес.

Қосымша түсініктемелер үшін өндірушіге хабарласыңыз.

Өнімді сақтау, орнату, пайдалану, іске қосу және техникалық қызмет көрсету осы нұсқаулықта және/немесе біз беретін өзге нұсқауларда көрсетілген талаптарға дәл сәйкес орындалуы тиіс — бұл өнімді бүкіл қызмет ету мерзімі бойы қауіпсіз пайдалануды қамтамасыз етеді. Осы нұсқаулар сақталмаса, кепілдік құқығыңыз жойылады. Сызбаларда бұрау моменті көрсетілген болттар калибрленген динамометрлік кілтпен тартылуы керек. Алдын ала жиналған болттарды да қызмет ету мерзімі ішінде максималды беріктікті қамтамасыз ету үшін қажетті моментке қайта тарту қажет.

Бұл өнім жанғыш, жарылғыш немесе химиялық ортада қолдануға жарамсыз.

Нысанда қатты коррозияға ұшыраған немесе құрылымдық зақымданған құрылғылар анықталса, оларды дереу пайдалануды тоқтату қажет.

Құрылғыны үстінен жабуға болмайды.

Техникалық қызмет көрсету

Жарықтандыру құрылғыларының алдыңғы оптикалық қақпақтарын мерзімді тазалау максималды оптикалық тиімділікті қамтамасыз етеді.

Жоспарлы (мерзімді) тазалау кезінде құрылғының сыртқы бетін жууға қышқыл немесе сілті ерітінділерін қолдануға болмайды.

Сақтық

Өнімге кепілдіктің жарамды болуы үшін Signify ұсынған қолдану нұсқаулықтарына сәйкес, орнату жөніндегі нұсқаулықта көрсетілген қолданылуға тиісті өнім сипаттамаларының әрі сақтау және пайдалану кезіндегі қоршаған орта жағдайларының шегінде ғана пайдаланылуы тиіс.

Осы құжатта берілген ақпарат кез келген коммерциялық ұсыныстың не шарттың бөлігі болып табылмайды, дәл әрі сенімді деп есептеледі және ескертусіз өзгертілуі мүмкін.

تحذيرات

الكهربائية أو المتطلبات الوطنية IEEE يجب أن يتم تركيب وحدة الإنارة بواسطة كهربائي مؤهل، وتوصيلها وفقاً لأحدث لوائح المشغل... (أي عملية أخرى SPD، يجب فصل مصدر التيار الكهربائي الرئيسي قبل التركيب أو الصيانة (مثل الزجاج مصدر الضوء و/أو وحدة التحكم و/أو الكابل المرن الخارجي الموجود في هذه الوحدة يجب استبداله فقط من قبل الشركة المصنعة أو وكيل الخدمة الخاص بها أو شخص مؤهل مماثل مناسب للاستخدام الخارجي فقط. لأي تطبيق آخر، يُرجى استشارة وكيل المبيعات المحلي أو الموزع تستخدم وحدة الإنارة زجاج مقسى مسطح يتحول إلى حبيبات صغيرة عند الكسر.

يرجى الاطلاع على نظام التخلص من النفايات المحلي الخاص بالمنتجات الكهربائية والإلكترونية ومواد التغليف. التزم بالقوانين المحلية ولا تتخلص من المنتج أو العبوة مع النفايات المنزلية. التخلص الصحيح من العبوة والمنتج والبطاريات يساعد في منع الأضرار البيئية والصحية. يجب التخلص من البطاريات بشكل منفصل عبر مراكز مخصصة. في حالة المنتجات التي تحتوي على بطاريات غير قابلة للاستبدال من قبل المستخدم، يجب إزالتها بواسطة مختص متكامل IP66 مع مشابك للكابلات لضمان نظام IP66 يجب استخدام وصلات بدرجة حماية يُرجى الرجوع إلى الداتا شيت الفني للتأكد من الخصائص الكهربائية وضمان التركيب الآمن بشكل صحيح قبل تشغيل الوحدة مثل المصابيح (L-N / L-N-E) تأكد من توصيل كابلات الكهرباء وحدة الإنارة تحتوي على عزل أساسي بين جهد التغذية المنخفض ودوائر التحكم في هذا الطراز (غير المخصص للرافعات)، المنتجات المصممة لتحمل 500 ساعة من اختبار رذاذ الملح المحايد غير مناسبة للاستخدام في مناطق تبعد أقل من 10 كم عن الساحل. والمنتجات المصممة لتحمل 1000 ساعة غير مناسبة للاستخدام في مناطق تبعد أقل من 1 كم عن الساحل أو البيئات شديدة التآكل مثل الموانئ والجسور البحرية والجزر بعد التركيب، قد يتغير المظهر مع الوقت بسبب تدهور المواد والعوامل البيئية.

متر X يجب وضع وحدة الإنارة بحيث لا يتعرض الأشخاص للنظر المباشر والمطول إليها على مسافة أقرب من يجب تجنب التخزين أو الاستخدام في بيئات تحتوي على غازات تآكلية أو خطرة مثل الكبريتيد، الهاليد، الفثالات... إلخ البوليكربونات) غير مناسبة في أجواء تحتوي على مواد مثل الإيثيل أمين، رباعي كلورو الإيثيلين... إلخ لأنها تسبب تآكل أو ضرر (PC مادة الـ X. يجب استخدام وحدة الإنارة في ظروف غير مائي مثل: تحت الماء، في التربة، الثلوج... إلخ يحتوي هذا المنتج على مصدر ضوء بتصنيف كفاءة طاقة لتقليل خطر الالتفاف أو الاختناق، يجب تثبيت الكابل المرن المتصل بالوحدة بشكل آمن على الحائط إذا كان في متناول اليد G. غير مناسب للاستخدام في ظروف اهتزاز قوية، وتم اختبار هذا المنتج (غير المخصص للرافعات) باختبار اهتزاز 3.

غير مناسب للاستخدام على أسطح متحركة.

RoHS جميع المواد المستخدمة متوافقة مع توجيه الشركة المصنعة غير مسؤولة عن أي استخدام غير صحيح أو تعديل أو تغيير في هيكل الوحدة. أي أضرار أو مخاطر ناجمة عن ذلك غير مقبولة، والشركة غير مسؤولة عنها للتوضيح الإضافي، يُرجى التواصل مع الشركة المصنعة.

يجب أن تتم عمليات التخزين والتركيب والاستخدام والصيانة بدقة وفقاً للتعليمات المذكورة في هذا الدليل أو أي تعليمات أخرى صادرة من الشركة. عدم الالتزام بهذه التعليمات يُبطل الضمان. البراغي ذات مواصفات العزم الموضحة في الرسومات يجب شدها باستخدام مفتاح عزم معاير. البراغي المجمع مسبقاً يجب إعادة شدها إلى العزم المحدد لضمان القوة القصوى طوال فترة العمر.

هذا المنتج غير مناسب للاستخدام في بيئات قابلة للاشتعال أو الانفجار أو البيئات الكيميائية في حال وجود وحدات إنارة تالفة بشدة أو متآكلة في الموقع، يجب التوقف عن استخدامها فوراً.

لا يجوز تغطية وحدة الإنارة

الصيانة

التنظيف الدوري للجزء البصري الأمامي لوحدة الإنارة يضمن الكفاءة الضوئية القصوى عند تنظيف الوحدة، لا يجوز استخدام محاليل حمضية أو قلوية لغسل السطح الخارجي

تنبيه

لضمان سريان الضمان Signify يجب استخدام وحدة الإنارة ضمن مواصفات المنتج وتعليمات التركيب وظروف التشغيل والتخزين المحددة من قبل شركة المعلومات الواردة في هذا المستند ليست جزءاً من أي عرض أو عقد، ويُعتقد أنها صحيحة وموثوقة، لكنها قابلة للتغيير دون إشعار مسبق.