

Signify



MileWide LED gen2

Elegant, yet highly efficient
and future-proof



interact
ready

LEDgine

Contents

1. Meet MileWide LED gen2
2. Application areas
3. Family range
4. Lighting performance
5. Connectivity: Interact
6. Service tag
7. Product specifications



Meet MileWide LED gen2

Discreet, timeless design

With its discreet lines, and modern look and feel, MileWide LED gen2 fits seamlessly into urban environments and integrates perfectly into today's modern cityscapes.

Future-ready and easily serviceable

MileWide LED gen2 is System Ready, so it can be paired with lighting control and software applications such as Interact City now or in the future.



Coherent lighting approach

The MileWide LED gen2 family suits various applications, from pedestrian areas to residential roads, thanks to the use of the latest LEDgine platform and extensive optics portfolio.

Designed with sustainability in mind

MileWide LED gen2 meets Signify's five criteria for circularity. It has a long lifetime, serviceable and can be disassembled at end of life. Aluminum parts are made of recycled aluminum.

Discreet and timeless design

Together with Holscher Design, we have developed MileWide LED gen2, the successor to the highly popular MileWide family. Available with a range of dedicated masts and brackets, the pure, clean design of MileWide LED gen2 integrates perfectly with today's and tomorrow's cityscape.

The initial principle of all our solutions is based upon the clean geometry of the luminaire design, built up of three ellipses of which one is slightly tilted corresponding to the light direction. This results in a clear shape, a minimum use of materials and clean lines that fit many urban environments and perfectly integrates into today's cityscapes.



Application areas



City center

- Boulevard and avenue
- Square, park and playground
- Roundabout
- Side street
- Cycle path and footpath
- Shopping and pedestrian area
- Parking area
- Public transport area

Residential area

- Residential street
- Cycle path and footpath
- Park and playground
- Parking area

Traffic route

- Boulevard and avenue
- Main urban/access roads
- Roundabout



Family range

Thanks to different mounting possibilities, a choice of two sizes, and various combinations of poles and brackets, MileWide LED gen2 can offer a wide range of possibilities, making it suitable for numerous application areas. The family has an optimized lumen performance, achieved by using different LED patterns in the LED board.

MileWide LED gen2
small



Side entry



Post-top

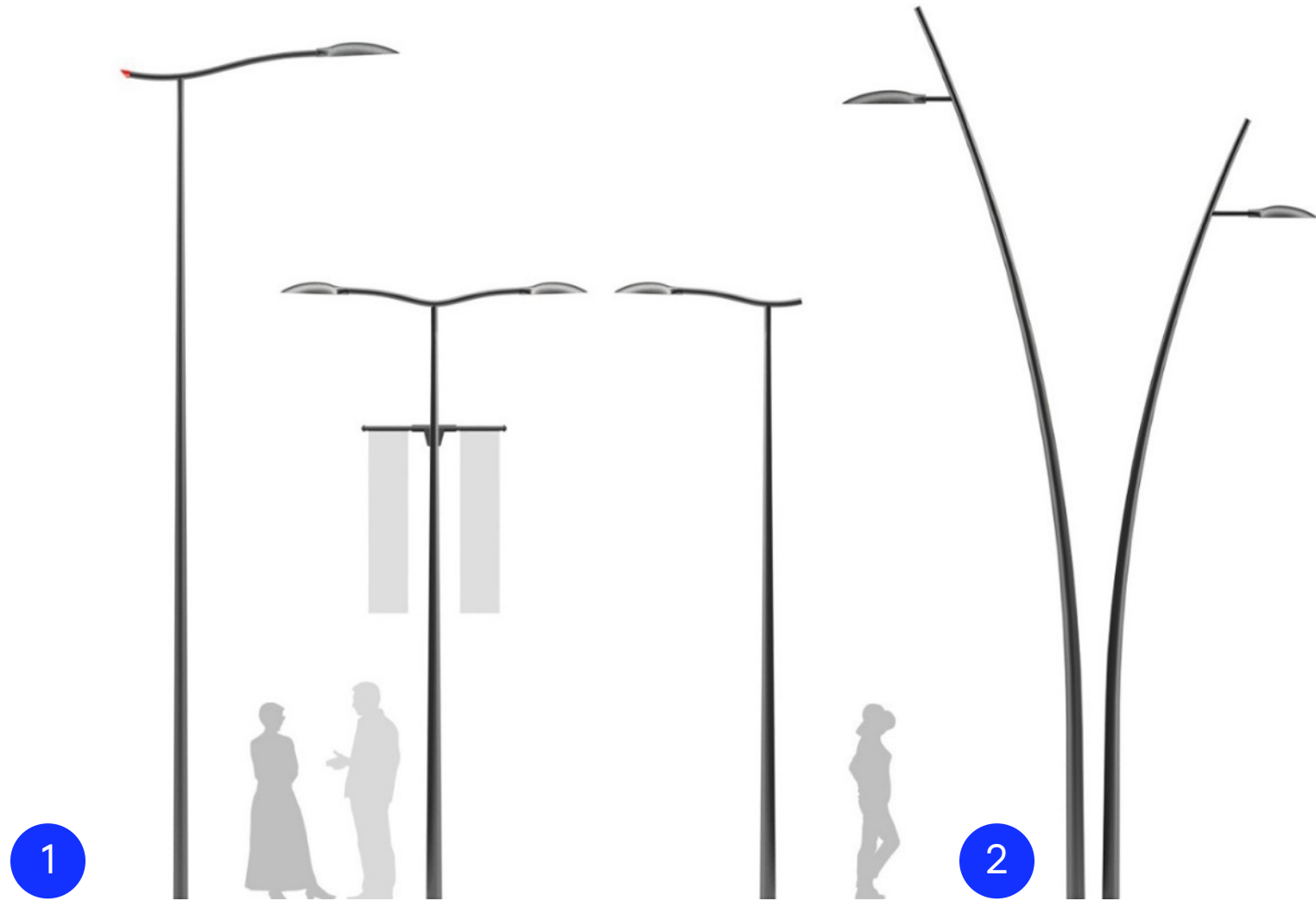


MileWide LED gen2
large



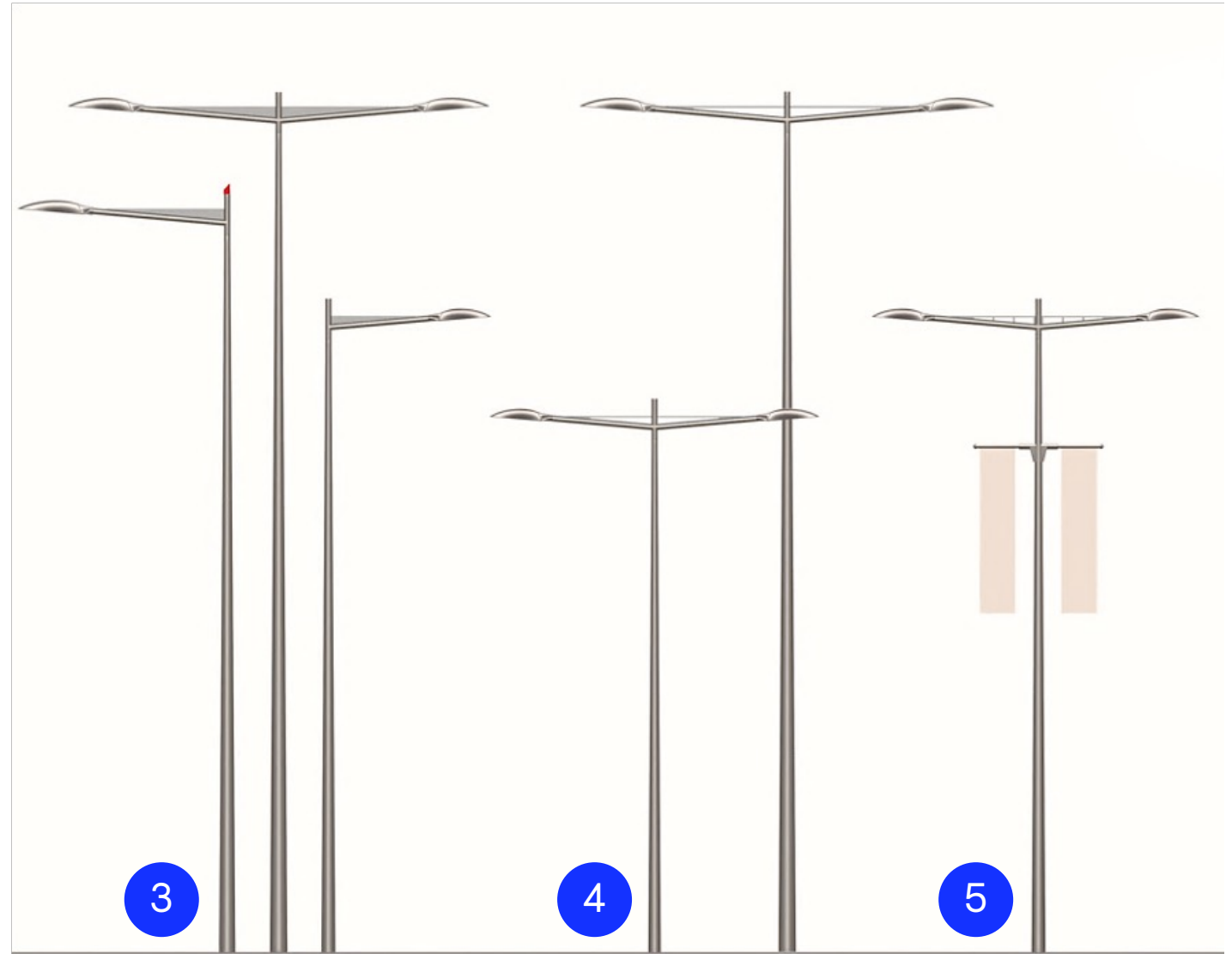
Standard complete sets

1. Urban wave complete sets
2. Curve complete sets



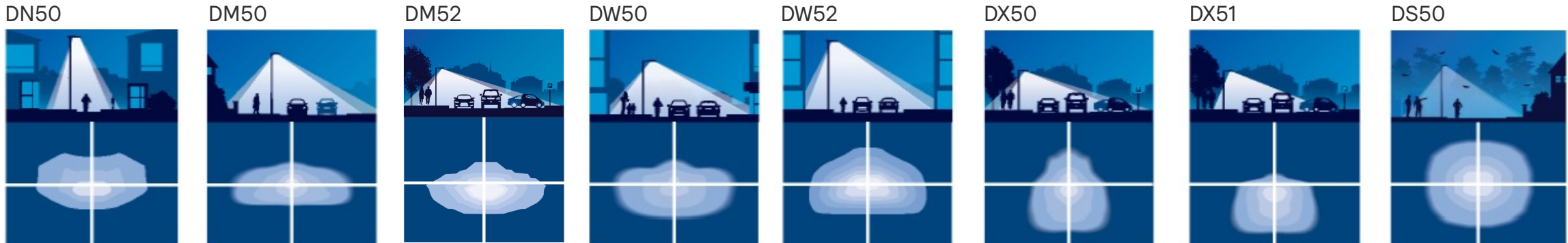
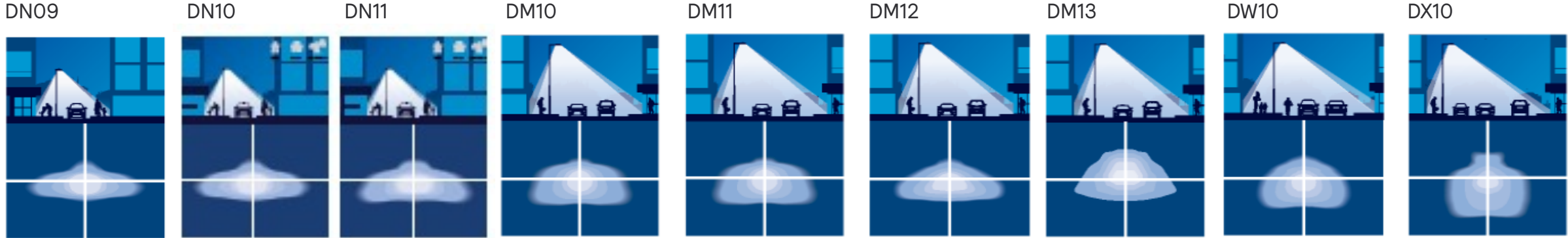
Standard complete sets

- 3. Mayonette complete sets
- 4. Mayonette with rode complete sets
- 5. Mayonette openwork complete sets



Optics

Luminance classes (M)

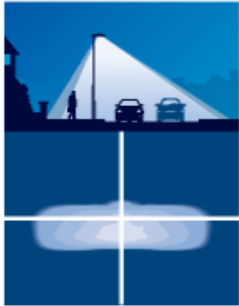


Narrow to wide

Optics

Dedicated applications

Optics + BL1



Optics + BL2



DM30



DM31



DS51



DPL1



DPR1



DM70



DX70



Special user needs

DM32



DM33



DN33



The right solution for outdoor applications – LEDgine



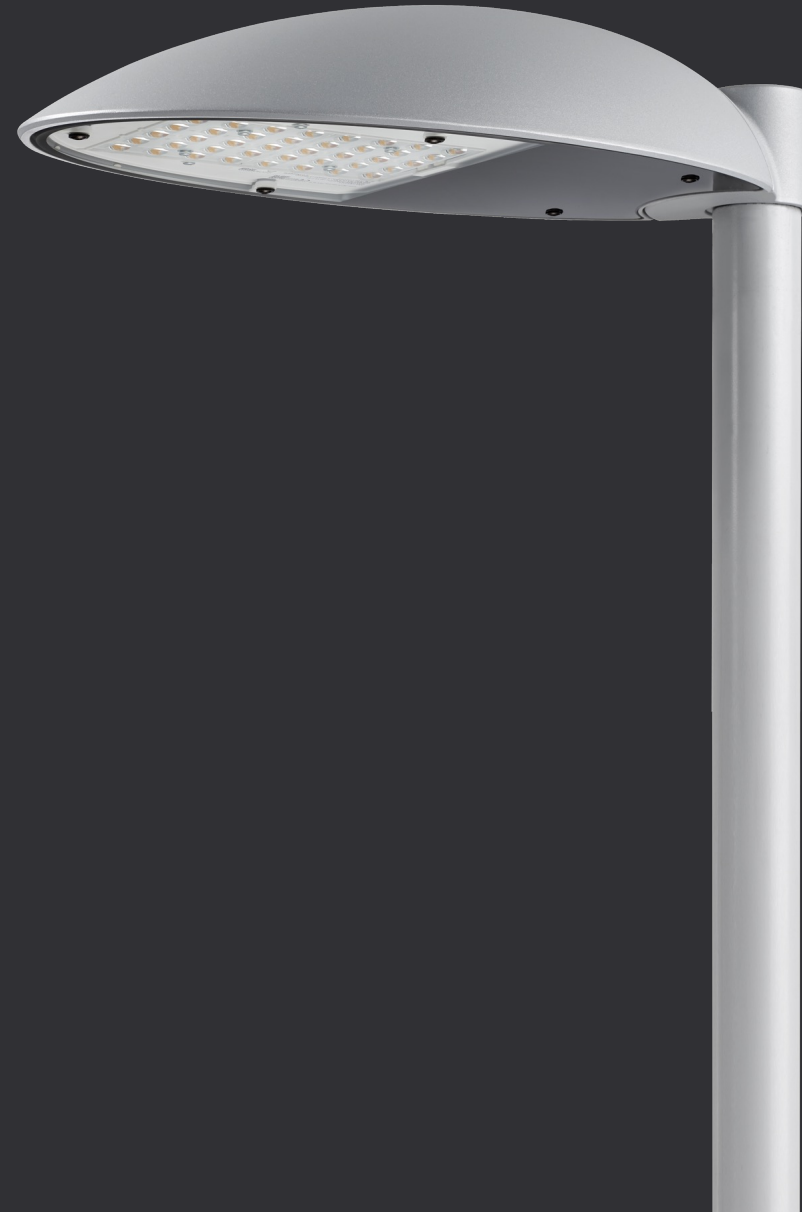
Our latest generation LEDgine optimized light engine offers the flexibility to further optimize your preferences as to luminaire efficacy and cost aspects.

The LEDgine optimized light engine covers a wide range of standard fluxes and a full range of standard optics is available to cover a wide range of applications.

Moreover, where needed we can support you to tune and optimize your project solutions as to fluxes and light distributions further with our exclusive tools. The three pillars that characterize the light engines are standardized optics, standard engines and tailor-made solutions.

Luminaire efficacy optimization:

- LED count and glass options optimizing system lm/W supporting high energy savings
- High flux per area enabling use of compact lower cost luminaire sizes



LEDgine

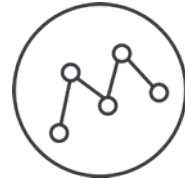


Standardized optics

- A perfect application fit

A wide range of light distributions ensure a perfect fit for many applications.

The optics offer flexibility, enabling standardization over applications with a good performance across a wide range of geometries – as well as design parameters such as tilt and overhang. The optics comply with national and European road lighting standards.



Standard engines

- High performance across portfolio

Using a standard engine across different luminaire ranges means you can optimally benefit from the latest LED upgrades without changing light distributions, so design continuity is assured. Standard flux packages are pre-defined across product ranges. Flux and thereby energy minimization is achieved by using best possible lumen maintenance (up to L98 or CLO solutions). The LEDgine optimized engine benefits from more LEDs per area contributing to more compact and cost effective solutions.

Standard engines minimize spare components which are easy to configure by using our Service tag application.



Tailor-made solutions

- Tuning to project preferences

We can support you with our exclusive Lucia tool to customize solutions which of course can become your standard!

Using **a variety of LED counts it enables to build the exact required flux** in a perfect balance between energy consumption, luminaire cost/type and operational life. Based on project parameters the best optical fit can be selected and when required **light distributions can be customized for best application fit** and to maximize energy savings.

Lucia luminaire configurator

The screenshot shows the Lucia luminaire configurator interface. At the top, there are navigation tabs for Urban, Road, Sports, Solar, and Tunnel. The main configuration area includes:

- Configuration name: Configuration 8/11/2022
- Send Configuration to: [input field]
- Luminaire Family: Lumistreet Gen2
- Lamp Flux defined by: Lamp Family Optimization
- Include louvers
- Navigation tabs: Luminaire, Scene, Area, Housing, Dimming
- Luminaire Size: BGP291, BGP292, BGP293, BGP294
- Lamp Color: LDG0740 (Neutral White 4000K Q3 202)
- Ambient temperature (TA Out): 25
- System ready interface: No Socket (N) Constant Light Output

System-ready architecture



The digital and smart city era is accelerating fast. To keep pace, cities need luminaires that are not only designed for today's technologies but are prepared for future advances and upgrades. The system-ready architecture gives you a scalable foundation that you can build on whenever your city is ready to opt into new advances in technology. So you can take light beyond illumination into a dynamic world of sensor-rich lighting — whenever you're ready.

Upgrade now or later

MileWide LED gen2 is a system-ready luminaire, with universal sockets on each luminaire, so all you have to do is click in controllers or sensors to activate new applications. That means you can install your luminaires today and mount controllers and sensors at a later date—without any hassle.

An open platform

Our system-ready luminaires use state-of-the-art architectures and components. Because they are SR and ZD4i certified, they are compatible with all components released in our SR program. This ensures you'll always be ready for the latest innovations that will enable you to get more out of your lighting infrastructure.



Interact for smart lighting

With Interact, it's easier than ever to realize the benefits of smart lighting: higher energy savings, improved space utilization, greater well-being and employee productivity – and a big step towards achieving sustainability goals.

General benefits

- No additional (DALI) control wires needed
- Perfect for projects of any size
- Quick to install and ready to use in a few clicks

Sustainable

- Sensor-enabled motion and daylight harvesting for instant energy savings
- Interact is part of our lighting for circularity offer

Smart

- Benefit from remote control and monitoring and reporting capabilities
- Use data to make better informed decisions more quickly

Efficient

- Collect actionable space analysis data
- Be informed of issues to enable timely and cost-efficient maintenance

[Discover Interact for area lighting](#)

This is all you need for your smart lighting system



MileWide LED gen2
with Interact node



Software applications

Designed for a circular economy

In 2024, we used 1.7 times the resources our planet can sustain. To transition to a sustainable and circular economy, we need to rethink the way we produce and consume. There's no plan B for our home planet.

By choosing our lighting for circularity solutions, you get flexibility in lighting configurations and settings while reducing your carbon footprint to help you reach your sustainability development goals.

Products

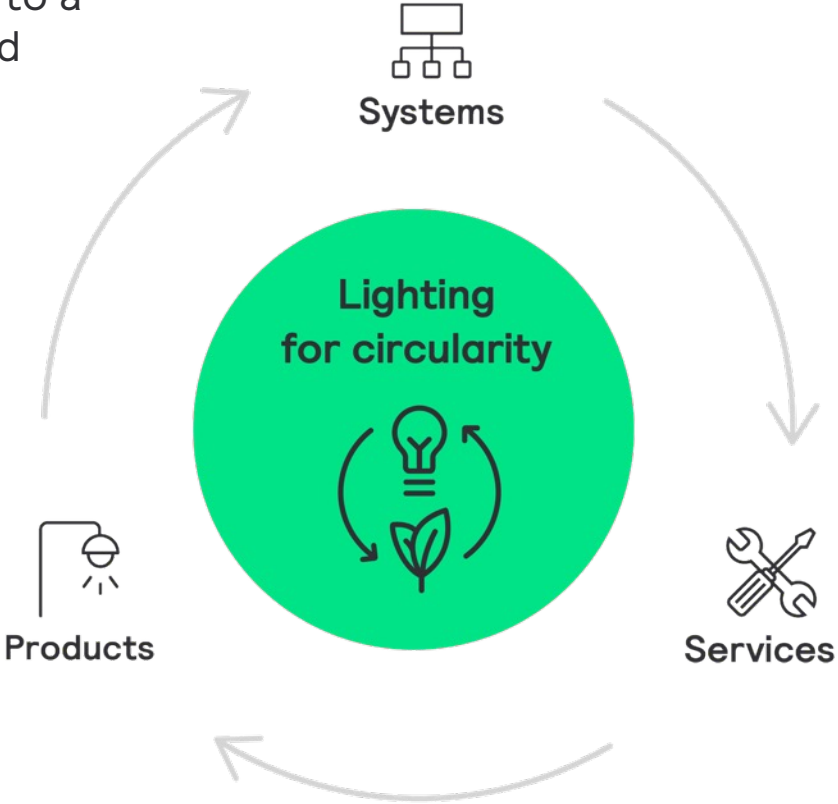
Luminaires and components us renewable materials, offer high energy efficiency and long lifetime, are easy to maintain, repair, upgrade, and replace.

Services

Include everything from design and build, to operation and maintenance to ensure sustainable investments and operations.

Systems (Interact)

Smart lighting systems can have a great impact on the environmental performance of your lighting, e. g. remote monitoring of lighting asset.



Signify MileWide LED gen2 meets the five criteria of lighting for circularity



1. Energy efficiency and extended lifetime

- MileWide LED gen2 offers a very high luminous efficacy of up to 159 lm/W
- It has a range of tailor-made optics that support optimized lighting design in various
- Lifetime of 100k hours with very high lumen maintenance up to L98



2. Connectable

- MileWide LED gen2 family can be connected to Interact or any other CMS via Zhaga or Nema sockets for increased energy saving and/or asset management
- It can feature a Zhaga bottom socket for Zhaga compliant sensors, such as motion sensors, noise, air quality and so forth, like for example the Outdoor Multisensor



3. Upgradable

- MileWide LED gen2 is upgradeable. Driver and other electrical components can be changed via simply replacing the components using just standard tools



4. Reusable and recyclable

- The aluminum housing is made of 88% recycled aluminum and is fully recyclable. The flat glass is fully recyclable and can be used to produce new glass parts
- The other parts can be dismantled and recycled in a responsible manner. Major parts are coded for recycling

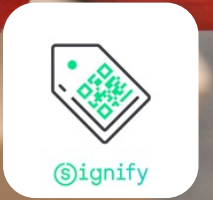


5. Serviceable

- MileWide LED gen2 family luminaires are easy to service, repair and replace thanks to the Signify Service tag, QR-based identification system, which makes each luminaire and its components uniquely identifiable. Components are modular in design and leverage platform building blocks to maximize reuse in the portfolio

Signify Service tag

- A unique QR code-based LED luminaire asset identification system
- Providing detailed information on specification and spare parts, simply by scanning the code on the packaging or luminaire with the Signify Service tag app.
- The system simplifies the installation and maintenance of lighting infrastructure by utilizing cloud technology.
- Service tag also plays a key role in the circular design of our lighting solutions, as it extends their service life and reduces maintenance efforts, ensuring efficient servicing and avoiding waste.



Your benefits at a glance:



Easy installation
and commissioning



Simplified
maintenance



Asset
management

Learn more at signify.com/global/service-tag

Signify Service tag: Installation



#1. Download the app

Download the Service tag app from the App store or Play store on your mobile device (iOS or Android).



#2. Register the luminaire

Register the luminaire by simply scanning the QR code on the packaging or luminaire. The system automatically identifies the type of each luminaire.



#3. Create a group QR code

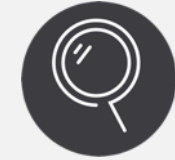
If you have multiple luminaires, it's possible to use the Service tag app to combine individual luminaires into a group. Each group will have its own unique group QR code.



#4. Luminaire information

Scan the QR code on your luminaire for easy access to the installation manual.

Maintenance



#1. Spare parts identification

Use the Service tag app to view a luminaire's spare parts, which contains all necessary information for quick ordering.



#2. Spare parts programming

Quickly program a spare driver using the Service tag app—without needing a faulty driver on hand. Scan the QR code of a luminaire with your device, put your mobile device on the spare driver, press “Program” and the spare driver receives the right settings for this specific luminaire.



Learn more at
signify.com/global/service-tag

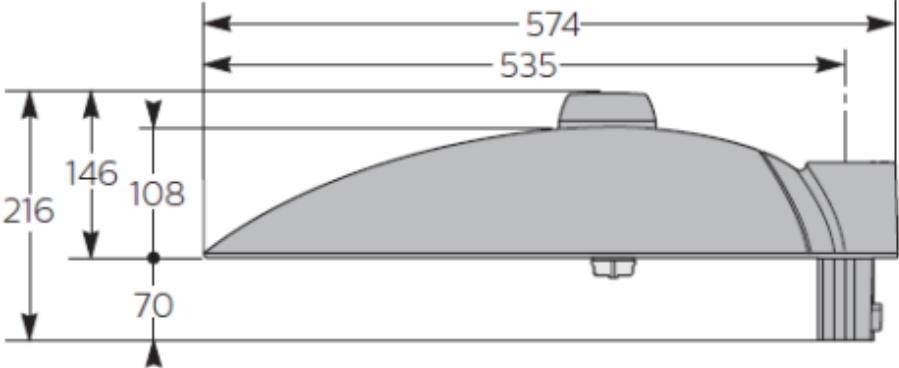
©ignify


©signify

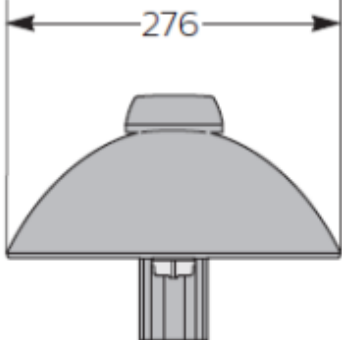
Product specifications

Dimensional drawings

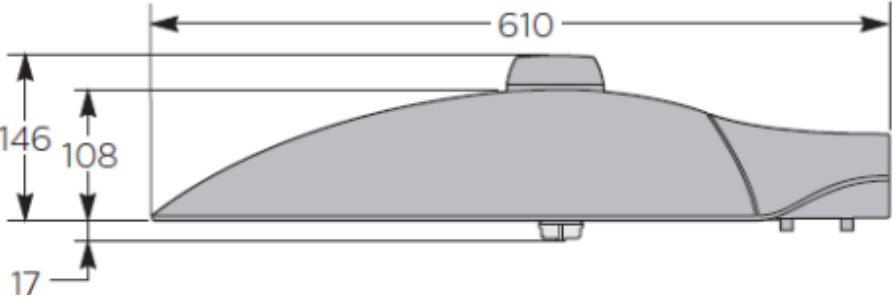
BPP435
Standard Post Top (Ø 60 - Ø 76 mm)




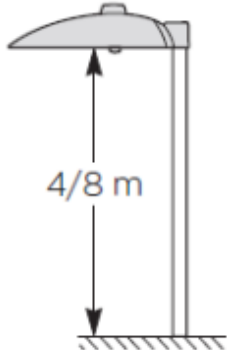
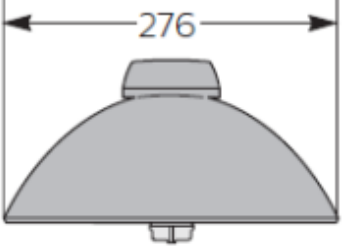
 = 0.049 m²max



BRP435
Standard Side Entry (Ø 48 mm - Ø 60 mm)

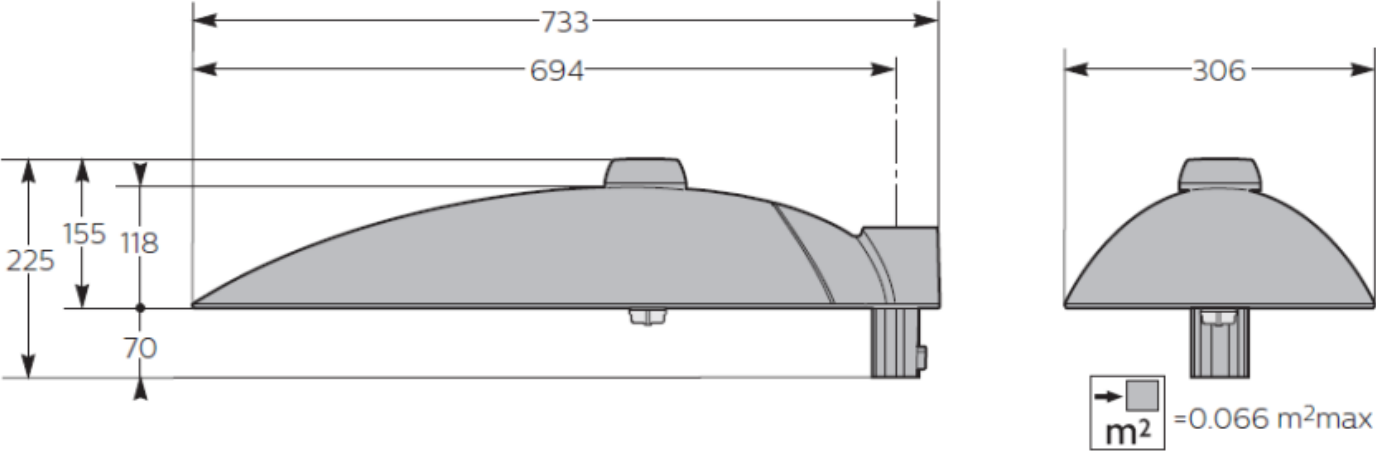


 = 0.049 m²max

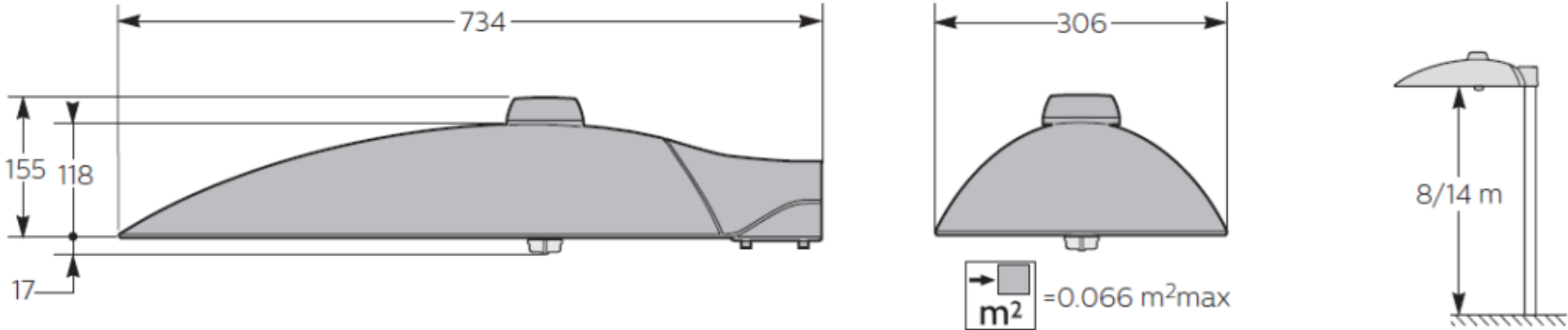


Dimensional drawings

BPP436
Standard Post Top (Ø 60 - Ø 76 mm)



BRP436
Standard Side Entry (Ø 60 mm)



Product specifications

	MileWide LED gen2 small	MileWide LED gen2 large
Type	BPP435 (post-top version) BRP435 (side-entry version)	BPP436 (post-top version) BRP436 (side-entry version)
Light source	Integral LED-module	
Power	7-77 W (neutral white) 7-82 W (warm white)	44-123 W (neutral white) 47-128 W (warm white)
Luminous flux (system)	516-10,446 lm (neutral white) 516-10,392 lm (warm white)	4,110-16,522 lm (neutral white) 4,100-16,437 lm (warm white)
Luminaire efficacy	63-161 lm/W	66-162 lm/W
Correlated Color Temperature	2200K, 2700K, 3000K (warm white), 4000K (neutral white)	
Color Rendering Index	≥ 70 ≥ 80	
Lumen maintenance*	Min. L96	Min. L96
Control gear failure rate*	10%	
Performance ambient temperature Tq	+25°C	
Operating temperature range	-20 to +35°C	
Driver	Integrated Xitanium driver	
Mains voltage	220-240 V / 50-60Hz	

* At median useful life of 100,000 hours

Product specifications

	MileWide LED gen2 small	MileWide LED gen2 large
Dimming	DynaDimmer, DALI, Mains Dimming, CM – Group dimming, LineSwitch	
Connectivity options	Zhaga socket on top and/or bottom, Interact	
Optic	LEDgine DM10 / DM11 / DM12 / DM13 / DM30 / DM31 / DM32 / DM33 / DM50 / DM52 / DM65 / DM70 / DN09 / DN10 / DN11 / DN33 / DN50 / DW10 / DW50 / DW52 / DS51 / DX10 / DX50 / DX51 / DX70 / DS50 / DS51 / DPR1 / DPR2	
Material	Housing: high-pressure, 88% recycled die-cast aluminum, non-corrosive Cover: glass, thermally hardened Optics: PMMA	
Color	Silver satin grey (SI), dark grey (DGR) Other RAL or AKZO futura colors available on request	
Maintenance	5 torx screws from below / Service tag	
Installation	Side-entry-mounting: lateral entry \varnothing 42-48 mm or \varnothing 60mm Post-top mounting: \varnothing 60-76 mm Spigot is external Recommended mounting height: 6-8m Max SCx: 0.049 m ²	Side-entry-mounting: lateral entry \varnothing 60mm Post-top mounting: \varnothing 60-76 mm Spigot is external Recommended mounting height: 8-14m Max SCx: 0.0656 m ²

You and Signify – a reliable partnership

Signify is the world leader in connected LED lighting systems, software and services. We proudly bring to market the best lighting brands in the world, including Signify, Philips and Interact.

We believe in close cooperation before, during, and after every project. Our local teams provide the support and information you need—with flexible, on-time delivery and reliable product availability.

To help you stay ahead, the [Signify Lighting Academy](#) offers a comprehensive range of educational resources to grow your expertise and earn certification.

Get more info on our products, services and tools:

[signify.com/installer](https://www.signify.com/installer)

[signify.com/specifier](https://www.signify.com/specifier)

Our global brands

 Signify

Signify represents our commitment to sustainable innovation. As our leading brand for connected lighting systems, luminaires and components for the specification project business, Signify solutions serve the segments where we collaborate most closely with our customers.

 Signify interact

Signify Interact is our IoT software platform for managing smart lighting systems and unlocking the value of the data they collect. Easy to install and configure, Interact supports a wide range of applications—from small offices to entire cities.

PHILIPS

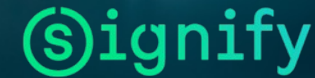
Philips stands for quality and energy efficiency in lighting. It is our leading brand for innovative, off-the-shelf lighting products for professionals and consumers alike.

Get into pole position with high-performance, energy-efficient LED



Signify is Official Lighting Partner of
Mercedes-AMG PETRONAS F1 Team

Official Lighting Partner



AMG
PETRONAS
FORMULA ONE TEAM

@signify

the meaning of light