

Metronomis LED

Play of light and shadow



Contents

1. Meet Metronomis LED
2. Family range
3. Service tag
4. LEDgine
5. Dimensional drawings
6. Product specifications

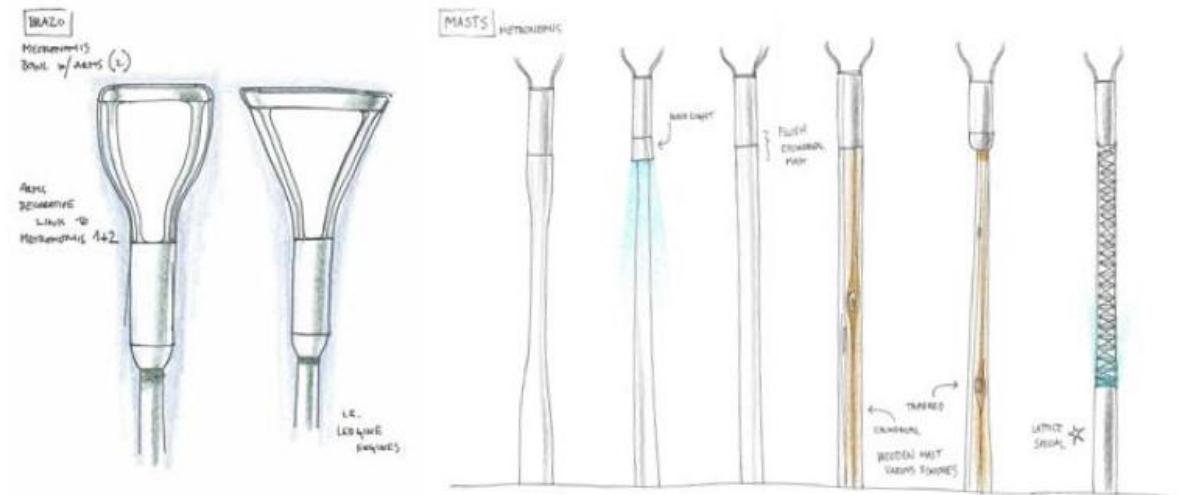
Designed for unified diversity

Designing a complete set is not just about the form of luminaire and pole; it is also about something intangible – the actual light itself. The aim of the design is to give you the aesthetic and functional flexibility of a range to fit into any environmental context in any given city.

Aesthetically, the silhouette of Metronomis LED bears some resemblance to its predecessor whilst also ensuring an enduring design for the future. The new range offers flexibility and modularity, allowing you to create bespoke solutions.

To elevate the total design we addressed the basic human need for personalization. This range offers the possibility to customize – and even personalize – the urban environment using the light itself, both inside the luminaire and in the surrounding space. The decorative light patterns on the ground give new meaning to city signatures.

All in all, Metronomis LED provides you with the total solution you need to create a unified and consistent lighting design that nevertheless reflects the differences in urban culture and history.



Metronomis LED has a modest design – not shouting – and respects the environment. The same is true of the product detailing. The design is based on the ‘skin’ analogy, as it contains everything but, like a balloon, it is seamless.

Marko Macura, Creative Director at Signify Design

Product highlights

Wide range of applications and light effects



Personalization

Metronomis LED enables to personalize urban lighting installations with a variety of lighting effects. Lighting planners can thus add a touch of individuality to lighting projects to create a dedicated atmosphere and identity.



Night preservation

Night preservation is about reducing different types of nuisance caused by light leaving the boundaries of a property. In residential or city center areas, we want to preserve the darkness of the night.



Comfort

The best lighting is probably the one people don't notice. And one of the complaint often heard is about glare. To reduce this, the best is to have a smart lighting scheme. And choosing the best optic is often key. In Metronomis LED, we have solutions to create a soft and comfortable light.



Energy efficiency

Urban lighting is one of the areas where energy saving is a top priority. And the LEDgine technology creates great opportunities. The success of a lighting installation is not only a question of aesthetics. A sound energy bill and optimized installation are also essential.



Family range

Metronomis LED luminaires are featured by a pure, serene and transparent concept that is reflected in a choice of conical and fluid bowls; Fluid, Sharp, Torch and Torch with hat.

Metronomis LED is suitable for post-top Ø 60 mm (all dedicated poles) and Ø 76 mm installations.

Metronomis LED Cone family



Metronomis LED Fluid

The Fluid is characterized by its smoothly curved silhouette and transparent design. Echoing elements of Metronomis Annecy, Cambridge and Berlin, it is the perfect successor to these conventional luminaires.



Metronomis LED Sharp

The Sharp is characterized by the straight lines of the bowl, giving it a more modern look and feel.

Sharp is considered to be the perfect shape for modern applications such as business parks and commercial centers.

Metronomis LED Torch family



Metronomis LED Torch

The Torch bears a clear resemblance to the classic, Metronomis Torino. Its slim shape, enhanced by the transparent bowl, is even more discreet and iconic than that of the Fluid and the Sharp.



Metronomis LED Torch with hat

The hat of the Torch may only be an accessory but, as the image shows, it completely changes the look and feel of the Torch. It reminds of Metronomis Malmo, without the arms.

Applications



Family range: dedicated poles

Further diversity is provided by selecting between a variety of dedicated poles and material finishings.

The wide range of poles includes steel, aluminum and wood with either conical, cylindrical or profiled shapes.

Aluminum Ultra Dark Grey, other RAL colors available on request	Wood Dark wood	Aluminum Silver Satin Grey, other RAL colors available on request	Wood Deep blue
---	-------------------	---	-------------------

- 1. MetroTube:** a straight aluminum pole seamlessly merged together with the luminaire
- 2. MetroCone:** a unique conical wooden pole that merges with the luminaire
- 3. MetroRiginal:** a new interpretation of the original Metronomis silhouette in aluminum
- 4. MetroWood:** a straight wooden pole seamlessly merged with the luminaire
- 5. MetroLight:** a unique light signature that creates a play of light and shadow with the pole
- 6. MetroLat** a unique pole design that shows a play of light to make the luminaire be 'floating"



Light effects

Bowl effects

Without effect



- Optimized efficiency
- Very good uniformity
- Maximum spacing

Flux: 1,500 – 12,000 lm
Optic: all

Diffusing plate DF



- Strong visual comfort
- Cozy atmosphere

Flux: 1,500 – 12,000 lm
Optic: all

Available for:



Vertical Diffused tube VD



- Vertical decorative element, frosted effect
- Visual comfort

Flux: 1,500 – 7,000 lm
Optic: no

Vertical Holographic tube VH



- A play of textures inside the vertical element
- Visual comfort

Flux: 1,500 – 7,000 lm
Optic: no

Available for:



Prismatic Circle effect plate CIR



- A play of reflection in the bowl
- Create ambiance

Flux: 1,500 – 3,000 lm
Optic: MDS only

Prismatic Line effect plate WAV



- A play of reflection in the bowl
- Create ambiance

Flux: 1,500 – 3,000 lm
Optic: MDS only

Prismatic Diamond effect plate DIA



- A play of reflection in the bowl
- Create ambiance

Flux: 1,500 – 3,000 lm
Optic: MDS only

Available for:



Light effects

Decorated bowls

Engraved lines inside the bowl



- A play of light and reflection in the bowl
- Creates ambiance

Flux: 1,500 - 12,000 lm

Optic: all

Available for:



Via a metalized decoration (GD)



- A play of light and reflection in the bowl
- Creates ambiance

Flux: 1,500 - 12,000 lm

Optic: all

Available for:



Preventing light trespass



- Shield to prevent light trespass
- Creates greater visual comfort

Flux: 1,500 - 7,000 lm

Optic: all

Available for:



Light effects

Projection on the ground

AmbiPattern® is a trademarked feature that enables you to customize urban lighting installations with a variety of ambient light effects. Depending on the type of application, the luminaires can project a play of light and shadow onto the ground to create attractive ambient patterns. Four patterns have been pre-selected.

Concentric circle CON



Flux: 3,000 lm
recommended

Optic: MDS only

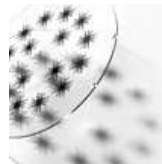


Star STAR



Flux: 3,000 lm
recommended

Optic: MDS only

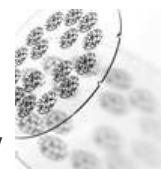


Foam FM



Flux: 3,000 lm
recommended

Optic: MDS only

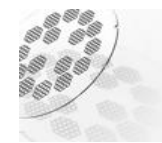


Honeycomb HC



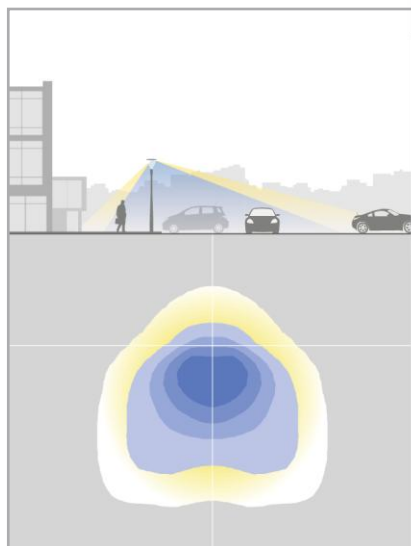
Flux: 3,000 lm
recommended

Optic: MDS only

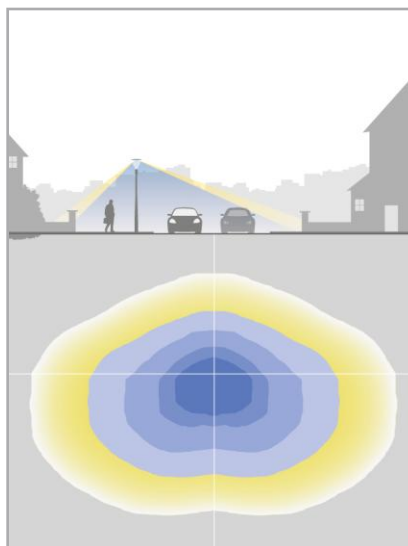


Lighting performance - standard optics

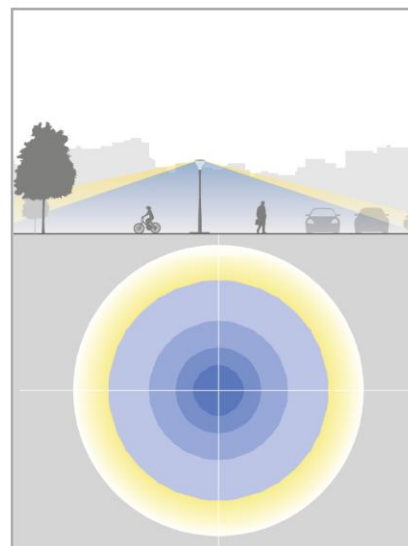
MDA Metronomis
Distribution asymmetrical



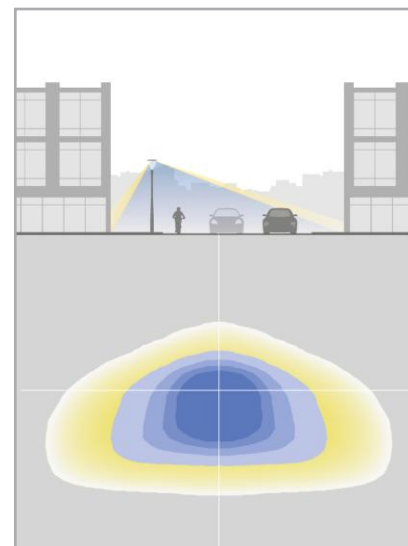
MDV Metronomis
Distribution wide for vertical illuminance



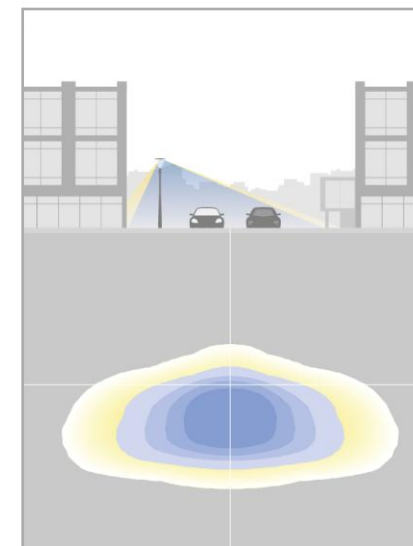
MDS Metronomis
Distribution symmetrical



MDW Metronomis
Distribution wide



MDM Metronomis
Distribution medium



Lighting performance

Application examples – Residential street

Metronomis LED Sharp

Light source: LED50-4S 830



- Optic: MDM
- Road width: 6 m
- Spacing: 25 m
- System power: 50 W

Optimized for energy efficiency



Metronomis LED Torch

Light source: ECO60-2S 830



- Optic: MDS + DF
- Road width: 8 m
- Spacing: 22 m
- System power: 62W

Optimized for comfort



Metronomis LED Sharp

Light source: ECO30-2S 830



- Optic: MDS + STAR (pattern)
- Spacing: 16 m
- System power: 37W

Optimized for personalization



Serviceability



Access to the driver:

To access the driver, unscrew the two head screws and remove the opening plate. A safety cable will keep the plate attached to the housing.



Disconnect the tool-less connectors on both sides of the driver and remove the complete gear tray from to access the driver screws.



Access to change LED board or optic

Unscrew the captive head screws of the aluminum top, 6 for the Fluid and Sharp, 4 screws for the Torch.



Turn the hat upside down, a safety cable will prevent you of losing the hat.

Now you can access the LED board or optic to change.

Interact for smart lighting

Interact City lighting management software turns your street lighting into a connected network capable of hosting sensors and other IoT enabled devices. It enables you to tap into a wide range of both lighting and non-lighting benefits such as dimming, presence detection, noise or air quality monitoring, and incident detection.

Smart

- Benefit from remote control and monitoring and reporting capabilities
- Use data to make better informed decisions more quickly

Sustainable

- Identify opportunities for further energy savings by dimming, scheduling and zoning
- Optimize the lights' power factor to minimize waste and reduce demand on the power grid

System ready

- The Open APIs of the system allow Interact City lighting management software to be integrated into your other city management systems
- This enables your existing partners or independent third parties to use it as a platform for future innovation

[Learn more about Interact](#)

This is all you need for your smart lighting system



Metronomis LED
equipped with control
node on top



Software applications

Signify Service tag

- A unique QR code-based LED luminaire asset identification system
- Providing detailed information on specification and spare parts, simply by scanning the code on the packaging or luminaire with the Signify Service tag app.
- The system simplifies the installation and maintenance of lighting infrastructure by utilizing cloud technology.
- Service tag also plays a key role in the circular design of our lighting solutions, as it extends their service life and reduces maintenance efforts, ensuring efficient servicing and avoiding waste.



Learn more at [signify.com/global/service-tag](https://www.signify.com/global/service-tag)

Your benefits at a glance:



Easy installation
and commissioning



Simplified
maintenance



Asset
management

Installation



#1. Download the app

Download the Service tag app from the App store or Play store on your mobile device (iOS or Android).



#3. Create a group QR code

If you have multiple luminaires, it's possible to use the Service tag app to combine individual luminaires into a group. Each group will have its own unique group QR code.



#2. Register the luminaire

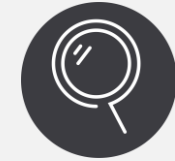
Register the luminaire by simply scanning the QR code on the packaging or luminaire. The system automatically identifies the type of each luminaire.



#4. Luminaire information

Scan the QR code on your luminaire for easy access to the installation manual.

Maintenance



#1. Spare parts identification

Use the Service tag app to view a luminaire's spare parts, which contains all necessary information for quick ordering.



#2. Spare parts programming

Quickly program a spare driver using the Service tag app—without needing a faulty driver on hand. Scan the QR code of a luminaire with your device, put your mobile device on the spare driver, press “Program” and the spare driver receives the right settings for this specific luminaire.



©ignify

Learn more at
signify.com/global/service-tag

The right solution for outdoor applications – LEDgine



Our latest generation LEDgine optimized light engine offers the flexibility to further optimize your preferences as to luminaire efficacy and cost aspects.

The LEDgine optimized light engine covers a wide range of standard fluxes and a full range of standard optics is available to cover a wide range of applications.

Moreover, where needed we can support you to tune and optimize your project solutions as to fluxes and light distributions further with our exclusive tools. The three pillars that characterize the light engines are standardized optics, standard engines and tailor-made solutions.

Luminaire efficacy optimization:

- LED count and glass options optimizing system lm/W supporting high energy savings
- High flux per area enabling use of compact lower cost luminaire sizes



LEDgine



Standardized optics

- A perfect application fit

A wide range of light distributions ensure a perfect fit for many applications.

The optics offer flexibility, enabling standardization over applications with a good performance across a wide range of geometries – as well as design parameters such as tilt and overhang. The optics comply with national and European road lighting standards.



Standard engines

- High performance across portfolio

Using a standard engine across different luminaire ranges means you can optimally benefit from the latest LED upgrades without changing light distributions, so design continuity is assured. Standard flux packages are pre-defined across product ranges. Flux and thereby energy minimization is achieved by using best possible lumen maintenance (up to L98 or CLO solutions). The LEDgine optimized engine benefits from more LEDs per area contributing to more compact and cost effective solutions.

Standard engines minimize spare components which are easy to configure by using our Service tag application.



Tailor-made solutions

- Tuning to project preferences

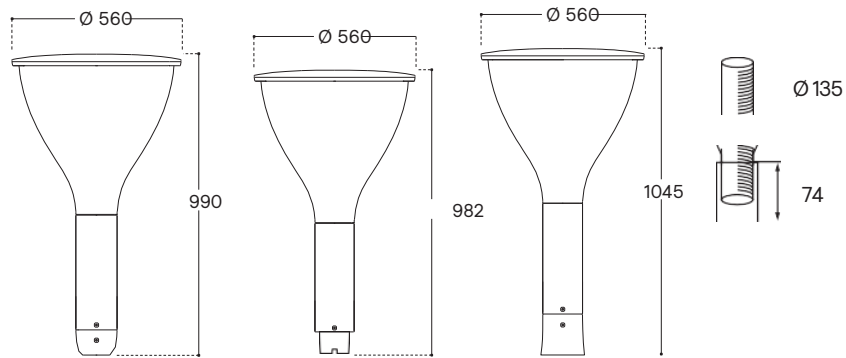
We can support you with our exclusive tools to customize solutions which of course can become your standard!

Using **a variety of LED counts it enables to build the exact required flux** in a perfect balance between energy consumption, luminaire cost/type and operational life. Based on project parameters the best optical fit can be selected and when required **light distributions can be customized for best application fit** and to maximize energy savings.

Product specifications

Dimensional drawings

Metronomis LED Fluid

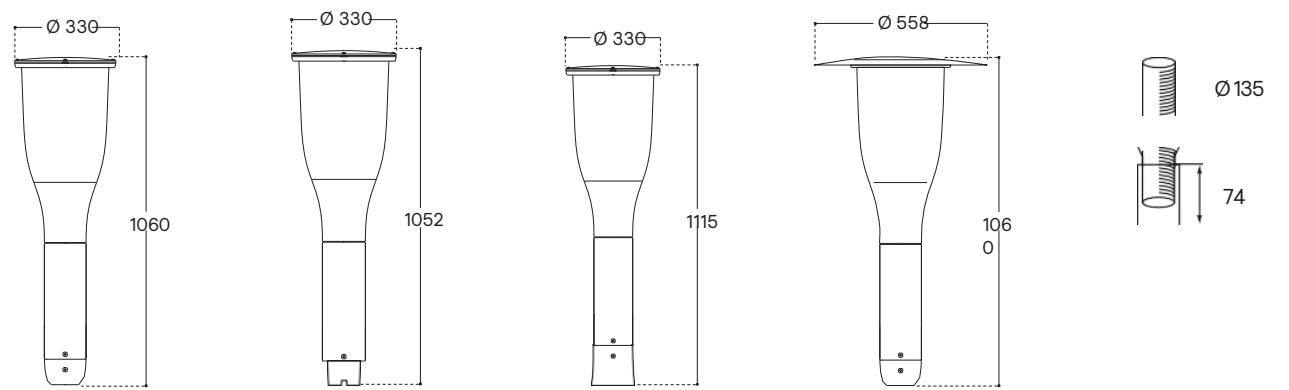


Metronomis LED Fluid 60 or 76

Metronomis LED Fluid SP

Metronomis LED Fluid SP-BL

Metronomis LED Torch & Torch with Hat



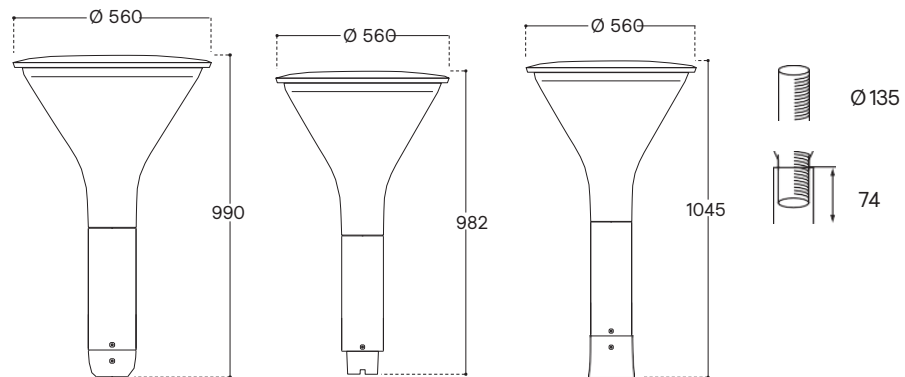
Metronomis LED Torch 60 or 76

Metronomis LED Torch SP

Metronomis LED Torch SP-BL

Metronomis LED Torch with Hat 60 or 76

Metronomis LED Sharp

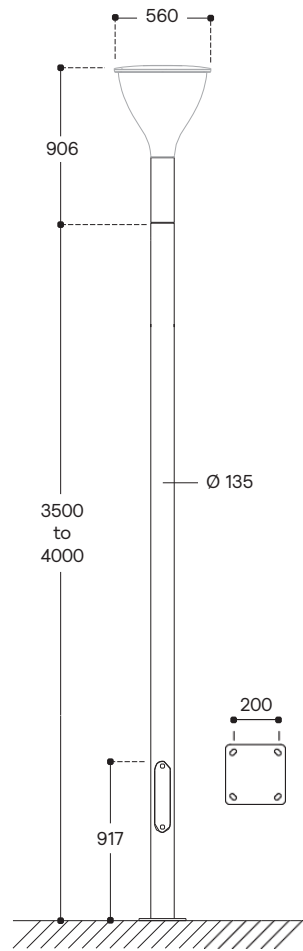


Metronomis LED Sharp 60 or 76

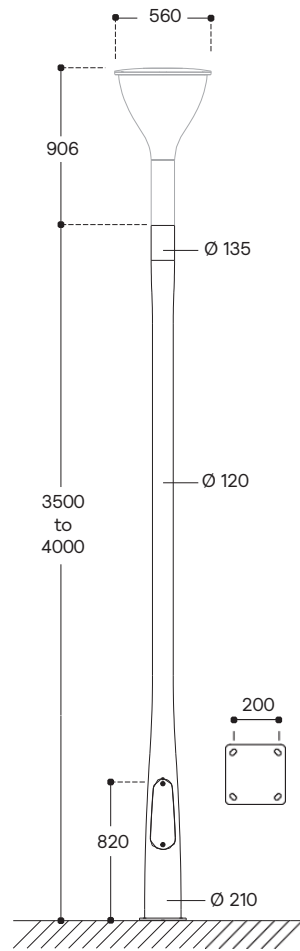
Metronomis LED Sharp SP

Metronomis LED Sharp SP-BL

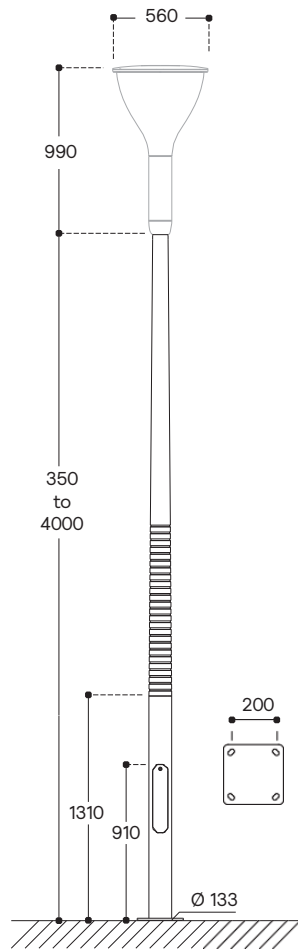
Dimensional drawings: poles



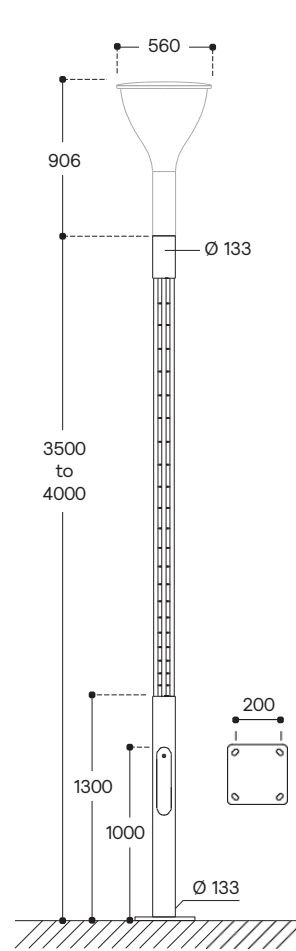
MetroTub



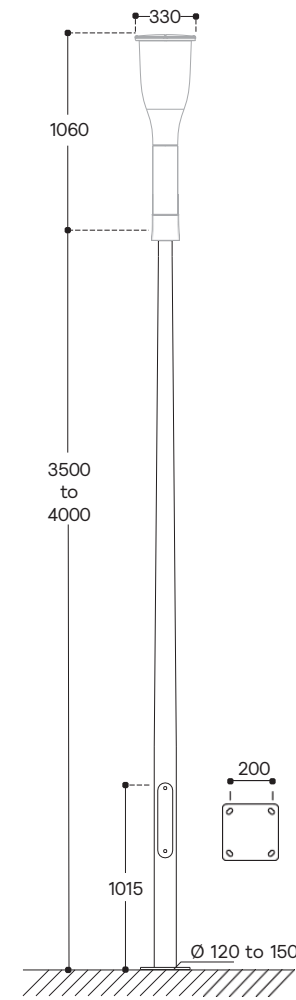
MetroRiginal



MetroCone



MetroLat



MetroLight

Product specifications

Type	Metronomis LED Torch BDS650 (version without hat) Metronomis LED Torch BDS651 (version with hat) Metronomis LED Sharp BDS660 Metronomis LED Fluid BDS670
Light Source	Built-in LED module
Color Temperature	2200K (warm white) - 2700K (warm white) - 3000k (warm white) - 4000 k (neutral white)
Color Rendering Index	70 (neutral white) 80 (warm white)
Luminous flux	BDS650/651: 1095 to 10440 lm BDS660/670: 780 - 10560 lm
Power	11.6 - 90W
Luminaire efficacy	BDS650/651: 90 - 162 lm/W BDS660/BDS670: 64-164 lm/W
Lumen maintenance	100,000 hours
CLO	CLO is available
Warranty	5 years
Optic	Metronomis Distribution Medium (MDM) Metronomis Distribution Wide (MDW) Metronomis Distribution Symmetrical (MDS) Metronomis Distribution Asymmetrical (MDA) Metronomis Distribution Wide for vertical illuminance (MDV)
Installation	Select SP mounting for the following dedicated poles: MetroLat, MetroTube, MetroRiginal, MetroWood For a MetroLight pole please select the mounting option SP-BL (blue)

Controls system input	DALI
Driver	Xitanium Driver
Dimming	LumiStep (LS), DynaDimmer (DDF), LineSwitch, AmpDim, Coded mains
Mains voltage	220-240 V / 50-60 Hz
Electrical class	I • II
Material	Housing and top cover high-pressure aluminum. Optical cover polycarbonate, UV reinforced
Color	Ultra Dark Grey (10714). Other RAL colors available on request
Connectivity	Top SR socket, Interact City
IP-rating	IP66
IK-rating	IK10
Weight	Max 13.5 kg
ScX	Metronomis LED Fluid 0.2016 m ² • Metronomis LED Sharp 0.1991 m ² Metronomis LED Torch: 0.21 m ² • Metronomis LED Torch with Hat: 0.24 m ²
Electrical connection	Wieland connector 3-pole mains (and 2-pole control signal)
Operating temperature range	-40 to +50 °C
Maintenance	Only one tool required to open the luminaire for all maintenance activities (standard Philips screws). To open the top: four screws (for BDS650/651) or six screws (for DS660/670) in order to change patterns and optics. To open the gear tray: two screws and tool-less connectors

Product specifications: poles

	Metro Tube	MetroRiginal	MetroCone	MetroWood	MetroLight	MetroLat	MetroBasic
Material	Aluminum	Aluminum	Wood	Wood	Aluminum	Steel	Steel
Pole height	3,5 and 4m	3,5 and 4m	3,5 and 4m	3,5 and 4m	3,5 and 4m	3,5 and 4m	3,5 and 4m
Installation type	Flange plate or ground section	Flange plate or ground section	Flange plate or ground section	Flange plate or ground section	Flange plate or ground section	Flange plate or ground section	Flange plate or ground section
Color	Satin Silver grey (close to RAL9006)	Satin Silver grey (close to RAL9006)	Satin Silver grey (close to RAL9006)	Satin Silver grey (close to RAL9006)	Satin Silver grey (close to RAL9006)	Satin Silver grey (close to RAL9006)	Satin Silver grey (close to RAL9006)
	Ultra Dark Grey (close to RAL7043)	Ultra Dark Grey (close to RAL7043)	Ultra Dark Grey (close to RAL7043)	Ultra Dark Grey (close to RAL7043)	Ultra Dark Grey (close to RAL7043)	Ultra Dark Grey (close to RAL7043)	Ultra Dark Grey (close to RAL7043)
	Other RAL or AKZO colors available on request	Other RAL or AKZO colors available on request	Other RAL or AKZO colors available on request	Other RAL or AKZO colors available on request	Other RAL or AKZO colors available on request	Other RAL or AKZO colors available on request	Other RAL or AKZO colors available on request
Color Wood	N/A	N/A	Dark Wood	Dark Wood	N/A	N/A	N/A
			Deep Blue	Deep Blue			
Certification	CE certification in accordance with standard EN40	CE certification in accordance with standard EN40	CE certification in accordance with standard EN40	CE certification in accordance with standard EN40	CE certification in accordance with standard EN40	CE certification in accordance with standard EN40	CE certification in accordance with standard EN40

You and Signify – a reliable partnership

Signify is the world leader in connected LED lighting systems, software and services. We proudly bring to market the best lighting brands in the world, including Signify, Philips and Interact.

We believe in close cooperation before, during, and after every project. Our local teams provide the support and information you need—with flexible, on-time delivery and reliable product availability.

To help you stay ahead, the [Signify Lighting Academy](#) offers a comprehensive range of educational resources to grow your expertise and earn certification.

Get more info on our products, services and tools:

[signify.com/installer](https://www.signify.com/installer)

[signify.com/specifier](https://www.signify.com/specifier)

Our global brands

 Signify

Signify represents our commitment to sustainable innovation. As our leading brand for connected lighting systems, luminaires and components for the specification project business, Signify solutions serve the segments where we collaborate most closely with our customers.

 Signify interact

Signify Interact is our IoT software platform for managing smart lighting systems and unlocking the value of the data they collect. Easy to install and configure, Interact supports a wide range of applications—from small offices to entire cities.

PHILIPS

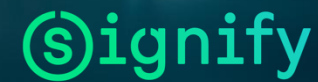
Philips stands for quality and energy efficiency in lighting. It is our leading brand for innovative, off-the-shelf lighting products for professionals and consumers alike.

Get into pole position with high-performance, energy-efficient LED



Signify is Official Lighting Partner of
Mercedes-AMG PETRONAS F1 Team

Official Lighting Partner



AMG
PETRONAS
FORMULA ONE TEAM

@signify

the meaning of light