

Signify



CityMood

Iconic design, ready to participate
in your smart city ecosystem



Heritage is forever

The main concern for cities when renovating historic city centers is to preserve city heritage with lighting installations that keep the heritage look and feel, including the same bracketry and poles. At the same time, though, cities also want to make progress toward ambitious urban goals, reduce their carbon footprint, and lower energy costs without sacrificing safety, performance, or quality of light.

These are the reasons we designed CityMood.

With its iconic design, CityMood preserves city heritage. It creates urban areas that feel safer, more pleasant, and enjoyable, respect people and nature by limiting the effects of light pollution, deliver deep energy savings, and offer the infrastructure on which to build a smart city ecosystem.



Contents

Key benefits	04	Service tag	10
Product features	05	Lighting for nature	11
Application areas	07	System-ready architecture...	12
LEDgine	08	Product specifications	13
Lighting for circularity	09	Dimensional drawings	14

Key benefits

Preserves city heritage

CityMood draws its inspiration from the street lamps of the early 20th century. CityMood preserves city heritage by keeping the distinctive design characteristics of these iconic luminaires to perfectly harmonize with the heritage look-and-feel of traditional city lights.

Delivers energy efficiency and high quality of light

CityMood reduces energy costs without sacrificing safety, performance, or quality of light to suit the specific needs of your different city applications.

Designed for the circular economy

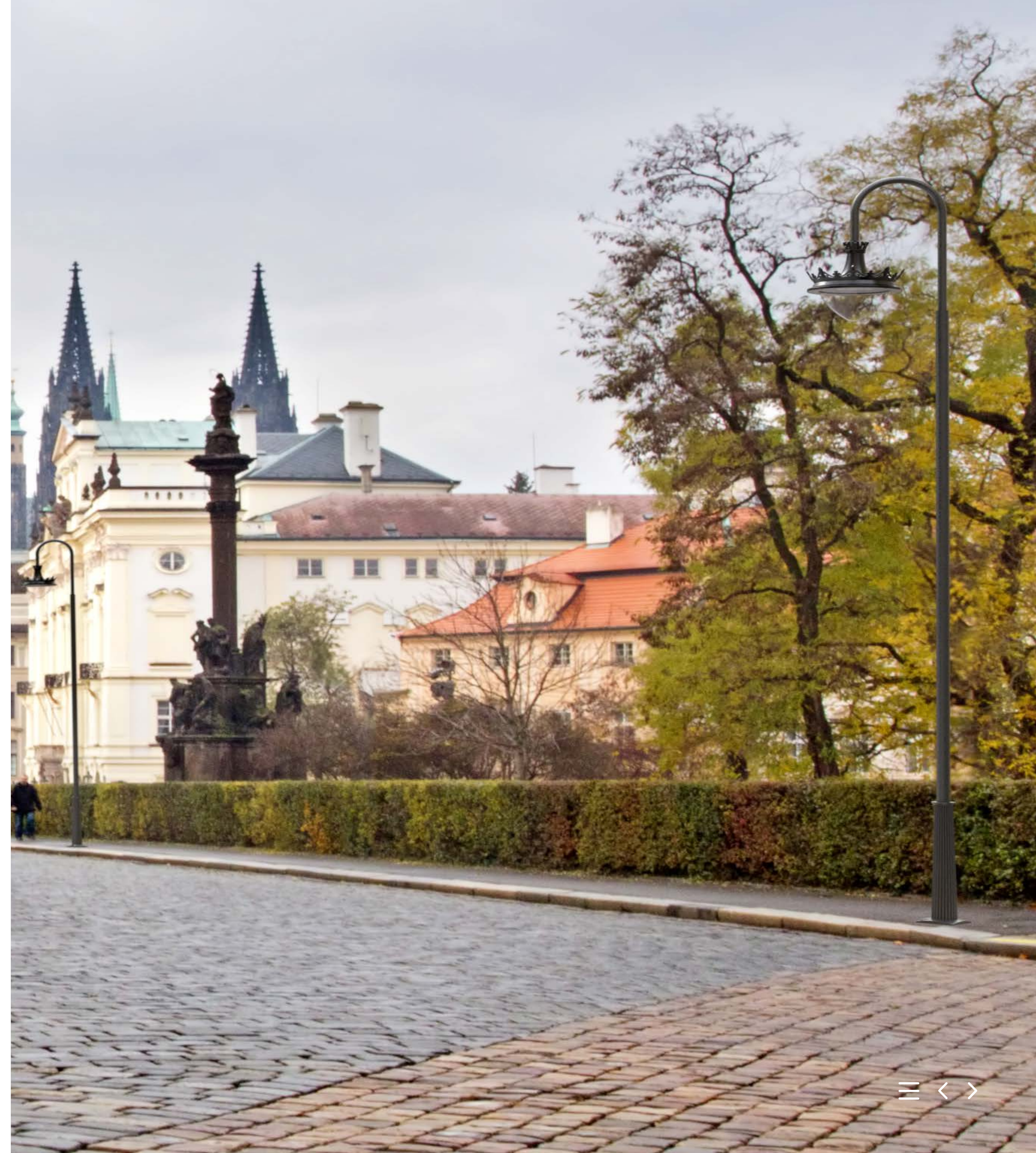
CityMood is upgradable and easy to service and maintain. With its long lifetime and use of renewable materials, CityMood helps to reduce environmental impact and ensure sustainable investment.

Ready for connectivity

Wherever you happen to be in your digitalization journey, you can remotely manage, monitor, and control all your city lighting with CityMood, from roads and streets to sidewalks and crossings and parks and plazas. Full control of your city lighting lets you reduce CO₂ emissions, make progress toward your sustainability goals, and lower energy usage and costs.

Respectful of people and nature

Lighting needs to do more than just deliver illumination after dark: it must also create unique ambiances that make spaces feel safer and more liveable and that respect citizens and nature. CityMood enables ambience creation, enhances citizens' feelings of wellbeing and safety, and addresses the impact of artificial light on both people and nature.



Product features

Preserves city heritage

CityMood's iconic design combines a conical bowl and a suspended canopy. CityMood allows cities to upgrade their street lighting luminaires while retaining the same distinctive look. Optional crowns are available for an extra heritage touch. A flat glass version is available to fit more contemporary environments.

Delivers energy efficiency and high quality of light

For urban lighting needs from cycle paths to main streets, CityMood is your answer. Thanks to the latest LEDgine Optimized LED platform and its extensive range of optics, CityMood offers great lighting performance while saving energy.

Designed for the circular economy

CityMood is upgradable. Critical components can be easily replaced. Material can be reused and recycled. The Signify Service tag makes maintenance and programming operations faster and easier, and enables you to create a digital library of lighting assets and spare parts. Toolless opening version provides direct access to the gear and light engine.



Ready for connectivity

Advances in technology happen so quickly, it might be difficult to decide when to opt in. CityMood is available with one or two Zhaga-D4i (ZD4i) system-ready (SR) sockets and is therefore ready to pair with advanced lighting management systems such as Interact, or with sensors such as the outdoor multisensor.

Respectful of people and nature

Because we're concerned about the impact of light on the environment, we've equipped CityMood with a dedicated light recipe that preserves the dark night sky. Our large range of color temperatures will help you define the specific ambience you desire. The CityMood flat glass version also adheres to the latest light pollution regulations.

Additional benefits

Give your environment an extra heritage touch with optional CityMood crowns.



The choice is yours

With a polycarbonate bowl or flat glass version, CityMood supports both heritage and contemporary environments.



Toolless opening version for easy installation and maintenance.



Create your own ambience by selecting a warmer or cooler CCT.

Preserve the dark night sky with the ClearStar light recipe.

CityMood is system-ready

With an optional Zhaga socket on top of the gear cover, you can easily connect a controller or sensor to activate additional functionality.

- Scalable for future technical requirements
- Flexibility via Zhaga-D4i standard
- Quick plug-and-play installation
- Support smart city applications



SR socket (Zhaga) including Interact OLC

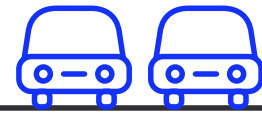


SR socket (Zhaga) for multisensor

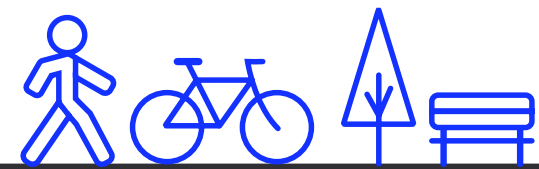
Application areas

In the heart of the city and beyond

Designed around our LEDgine optimized platform, CityMood incorporates all the necessary functional aspects of lighting while also offering a strong focus on the emotional value of light. In this way, it helps to create the right ambience, enhances people's well-being, respects biodiversity, and makes the city more liveable. For every application, we offer several solutions that will inspire you and enhance your city, while also fulfilling all your specific requirements.



Main urban roads and streets, side and residential roads and streets



Cycle and pedestrian paths, squares, parks, and playgrounds



City centers and historical area



The right solution for outdoor applications: LEDgine



Our latest generation LEDgine optimized light engine offers the flexibility to further optimize your preferences for luminaire efficacy and cost aspects. The LEDgine optimized light engine covers a wide range of standard fluxes and a full range of standard optics is available to cover a wide range of applications. Moreover, where needed we can support you to tune and optimize your project solutions as to fluxes and light distributions further with our exclusive tools. The three pillars that characterize the light engines are standardized optics, standard engines and tailor-made solutions.



Luminaire efficacy optimization: LEDgine optimized

LED count and glass options optimizing system lm/W supporting high energy savings.

High flux per area enabling use of compact lower cost luminaire sizes.

Standard engine

High performance across portfolios.

Using a standard engine across different luminaire ranges means you can optimally benefit from the latest LED upgrades without changing light distributions, so design continuity is assured. Standard flux packages are pre-defined across product ranges. Flux and thereby energy minimization is achieved by using best possible lumen maintenance (up to L98 or CLO solutions). The LEDgine optimized engine benefits from more LEDs per area contributing to more compact and cost effective solutions. Standard engines minimize spare components which are easy to configure by using our Service tag application.

Standardized optics

A perfect application fit. A wide range of light distributions ensure a perfect fit for many applications.

The optics offer flexibility, enabling standardization over applications with a good performance across a wide range of geometries – as well as design parameters such as tilt and overhang. The optics comply with national and European road lighting standards.

Tailor-made solutions

Tuning to project preferences.

We can support you to customize solutions which of course can become your standard! Using a variety of LED counts it enables to build the exact required flux in a perfect balance between energy consumption, luminaire cost/type and operational life. Based on project parameters the best optical fit can be selected and when required light distributions can be customized for best application fit and to maximize energy savings.

Designed for a circular economy

In 2024, we used 1.7 times the resources our planet can sustain. To transition to a sustainable and circular economy, we need to rethink the way we produce and consume. There's no plan B for our home planet. By choosing our lighting for circularity solutions, you get flexibility in lighting configurations and settings while reducing your carbon footprint to help you reach your sustainability development goals.

Go for optimal sustainability by selecting your renovation path

Are you looking to update your non-LED lighting?

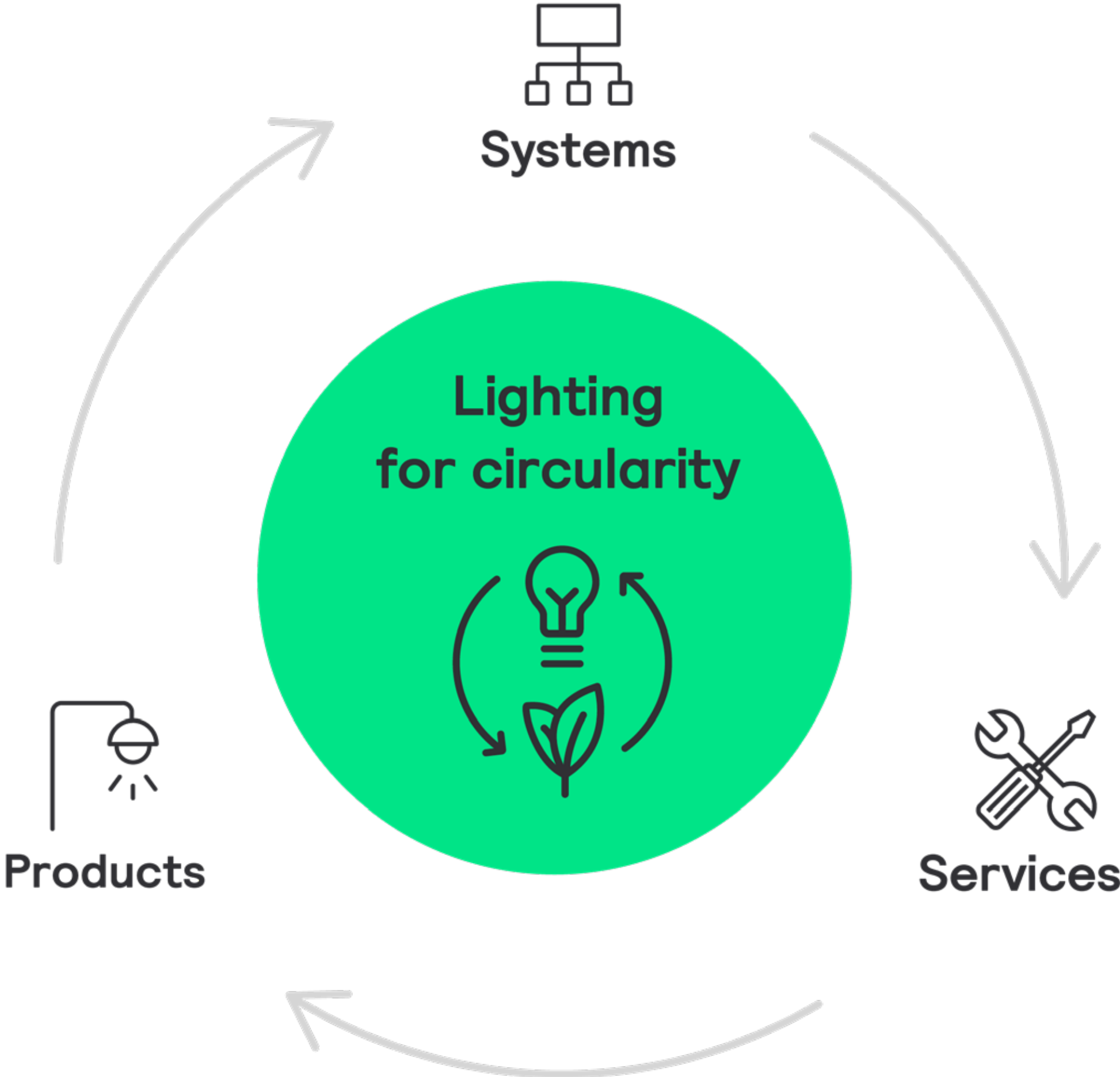
- Choose our lighting for circularity products
- Full portfolio of circular economy ready Signify LED luminaires
- Superior efficacy
- Products are recyclable, connectable and serviceable.

Are you planning to update your LED-based infrastructure?

- Discover our remanufacturing or refurbishment services
- Gain enhanced luminaire performance, extended lifetimes, and end of contract management

Do you want to unlock the potential of smart lighting?

- Update your infrastructure to smart lighting with our systems solutions
- Optimize your energy costs with insights into your energy usage
- Configure lighting behavior
- Remotely monitor your lighting system



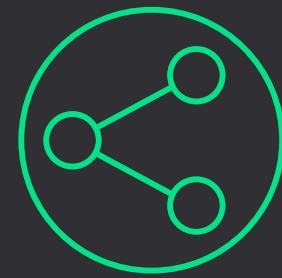


CityMood meets the five criteria of lighting for circularity



1. Energy efficiency & extended lifetime

- CityMood offers high luminous efficacy up to 172 lm/W.
- Offers a choice of tailored optics that support optimized lighting design in various urban applications, for even greater energy savings.
- Long lifetime of up to 100,000 hours (>L90) reduces the need to replace luminaires or components.



2. Connectable

- CityMood can be connected to Interact or any other CMS via Zhaga or Nema sockets for increased energy saving and/or asset management.



3. Upgradable

- CityMood is upgradable. Driver and other electrical components can be changed via simply replacing the components using standard tools.



4. Reusable and recyclable

- The aluminum canopy and spigot are fully recyclable and can be used for new die-cast aluminum. The polycarbonate bowl can be reworked to new plastic parts.
- The other parts can be dismantled and recycled in a responsible manner. Major parts are coded for recycling.



5. Serviceable

- CityMood luminaires are easy to service, repair and replace thanks to the Signify Service tag, a QR-based identification system that makes each luminaire and its components uniquely identifiable. Components are modular in design and leverage platform building blocks to maximize reuse in the portfolio.

Signify Service tag

Service tag from Signify is a unique QR code-based LED luminaire asset identification system that provides detailed information on specification and spare parts. The system simplifies the installation and maintenance of lighting infrastructure by utilizing cloud technology. Service tag also plays a key role in the circular design of our lighting solutions, as it extends their service life and reduces maintenance efforts, ensuring efficient servicing and avoiding waste.



How it works

Every luminaire is equipped with a unique QR code. All relevant asset data is stored in the service cloud, including detailed luminaire specification, User data (geo location, project-location, external ID, notes, etc.) and information on spare parts and accessories. By scanning the QR code on the packaging or luminaire with the Signify Service tag app, this information becomes instantly accessible, offering invaluable benefits.

Your benefits at a glance



During installation



#1. Download the app

Download the Service tag app from the App store or Play store on your mobile device (iOS or Android).



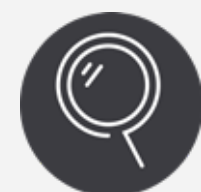
#2. Register the luminaire

Register the luminaire by simply scanning the QR code on the packaging or luminaire. The system automatically identifies the type of each luminaire.



#3. Create a group QR code

If you have multiple luminaires, it's possible to use the Service tag app to combine individual luminaires into a group. Each group will have its own unique group QR code.



#4. Luminaire information

Scan the QR code on your luminaire for easy access to the installation manual.

During service/maintenance



#1. Spare parts identification

Use the Service tag app to view a luminaire's spare parts, which contains all necessary information for quick ordering.



#2. Spare parts programming

Quickly program a spare driver using the Service tag app—without needing a faulty driver on hand. Scan the QR code of a luminaire with your device, press "Program" and the spare driver receives the right settings for this specific luminaire.



Easy installation and commissioning

- Access to product details, manuals and spare parts
- Helps avoid errors



Simplified maintenance

- Detailed information on products
- Quick access to relevant information means less time required for repairs or replacements



Asset management

- Real-time tracking of assets
- Simplified management of replacements, upgrades and warranty information

Learn more at [signify.com/global/service-tag](https://www.signify.com/global/service-tag)

Lighting for nature

ClearStar: preserving a dark night sky

Instead of darkness above us, the night sky has become illuminated—a problem affecting over 80% of the world's skies and 99% of the skies in the US and Europe. Not only does skyglow prevent us from enjoying a starfilled night sky, it hinders astronomers' observations, wastes energy, and negatively impacts human circadian rhythms and animals that use moonlight and starlight for orientation.

To address this problem, we've developed a special optical platform that both complies with the requirements of astronomical institutions and provides excellent light distribution and high energy efficiency. With our connected lighting management systems, you can deliver light when and where it's needed and create flexible dimming calendars.



System ready architecture

The digital and smart city era is accelerating fast. To keep pace, cities need luminaires that are not only designed for today's technologies, but are prepared for future advances and upgrades. The System ready architecture gives you a scalable foundation that you can build on whenever your city is ready to opt into new advances in technology. So you can take light beyond illumination into a dynamic world of sensor-rich lighting – whenever you're ready.

Upgrade now or later

CityMood is a System ready luminaire, coming with universal sockets on top of the luminaire, so all you have to do is click in controllers or sensors to activate new applications. That means you can install your luminaires today and mount controllers and sensors at a later date – without any hassle.

An open platform

Our System ready luminaires use state-of-the-art architectures and components. Because they are SR & ZD4i Certified, they are compatible with all components released in our SR program. This ensures you'll always be ready for the latest innovations that will enable you to get more out of your lighting infrastructure.



Future-proof upgrades

System ready luminaires can be paired with sensors and controllers now or later. A city solution that is completely flexible and scalable.



Plug and play

Designed for hassle-free installation, controllers and sensors can be mounted without opening the luminaire.



Aesthetic design

The small, unobtrusive form factor can be mounted discreetly on luminaires.



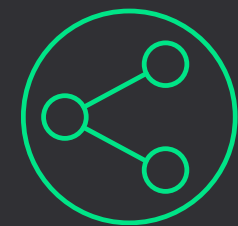
Standardized technology

Thanks to Zhaga standardization and the SR & ZD4i Certified program, you will have access to preferred technology, allowing you to make use of innovations from different suppliers.



Open innovation platform

Using this new System ready architecture gives you access to new innovations that could enhance your lighting even further in the future.



Flexibility

The Zhaga 4 Pin socket can be mounted on the top, of the luminaire, giving you the flexibility to choose from all sources of sensor applications. The IP66 rating also ensures there is no risk of water ingress.

Ready to be connected to Interact



Interact is a connected LED lighting management system which helps you improve services, enhance safety, beautify public spaces, encourage civic pride, and increase energy efficiency in your city. The system allows you to tap into a wide range of both lighting and non lighting benefits such as dimming, presence detection, noise or air quality monitoring, and incident detection. CityMood is ready to connect with Interact when you are.

For more information about Interact in cities visit:

www.interact-lighting.com/city



Get more value out of your lighting infrastructure

Control and monitor your street lighting remotely and immediately identify lighting failures using a single dashboard application. With full control of your city lighting you can identify opportunities for further energy savings by dimming, scheduling and zoning. Interact enables you to reduce CO₂ emissions, meet sustainability targets and reduce costs, enabling you to reinvest the savings into other areas of your city's infrastructure.

The Open API's of the system allows it to be integrated into your other city management systems and allows your existing partners or independent third parties to use it as a platform for future innovation.



Product specifications

Type	BSP672 BSP673 (toolless opening version)
Light source	LEDgine optimized
Luminous flux ranges	910 lm to 16200 lm depending on configurations
Power	10.1 W to 99.8 W depending on configurations
Luminaire efficacy	Up to 168 lm/W
Correlated Color Temperature	2200 K, 2700 K, 3000 K, 4000 K
Light recipe	ClearStar
Color Rendering Index	80, 70
Useful life	100,000 hours min L90 at 25°C ambient temperature
Control gear failure rate at median useful life 100,000 h	10%
Performance ambient temperature Tq	+25°
Average ambient temperature	+25°
Operating temperature range	-40°C to +50°C
Driver	Programmed LED drivers
Mains voltage	220-240V / 50-60Hz
Dimming	Standalone DynaDimmer, DALI, mains dimming
Connectivity	Interact, Signify outdoor multi-sensor
Connectors	NEMA, SR
Optic	Distribution medium (DM, DN), pedestrian crossing, symmetrical, wide and extra wide: DM10, DM11, DM12, DM30, DM31, DM32, DM33, DM50, DM52, DM65, DM70, DN09, DN10, DN11, DN25, DN33, DN50, DPR1, DPL1, DS50, DS51, DSM2, DW10, DW30, DW50, DW52, DW65, DX10, DX50, DX52, DX65, DX70, (other optics upon request)

Louvers	Dedicated louvers for backlight cut-off BL1, BL2
Optical cover	Tempered flat glass, clear Polycarbonate bowl, clear
Accessories	Top and /or bottom decorative crown
Material	Housing: die cast aluminium Crown: gravity aluminium
Color	Dark Grey GR10714, Black 9005 Other RAL and AKZO Futura colors available on request Crown: Black 9005
Installation	Suspended: 1" gas (male) Recommended mounting height: 4 to 8m SCx BSP672/BSP673 with flat glass: 0.0314 m ² SCx BSP672/BSP673 with polycarbonate bowl: 0.036 m ² SCx BSP672/BSP673 with polycarbonate bowl, top and bottom crown: 0.0836 m ² SCx BSP672/BSP673 with polycarbonate bowl and top crown: 0.0748 m ² SCx BSP672/BSP673 with polycarbonate bowl and bottom crown: 0.0797 m ²
Maintenance	Access to both LED board and driver by opening the canopy by the means of toolless quarter-turn fasteners (BSP673) or by opening standard screws (BSP672), all secured by a hinge, making parts safely accessible
Weight	BSP672/BSP673 with flat glass: 8 kg BSP672/BSP673 with polycarbonate bowl: 7.4 kg BSP672/BSP673 with flat glass, top and bottom crown: 10.2 kg BSP672/BSP673 with polycarbonate bowl, top and bottom crown: 9.6 kg BSP672/BSP673 with flat glass and top crown: 8.5 kg BSP672/BSP673 with polycarbonate bowl and top crown: 7.9 kg BSP672/BSP673 with flat glass and bottom crown: 7.5 kg BSP672/BSP673 with polycarbonate bowl and bottom crown: 6.9 kg
CLO	Available
Electrical class	Class I and Class II
IP rating	IP66
IK rating	IK10 clear polycarbonate bowl, IK09 clear flat glass
Surge protection	6 kV (standard) - 10 kV (optional)
Warranty	5 years
Certification	RoHS, REACH, CE, ENEC, ENEC+

Dimensional drawings

Crown versions

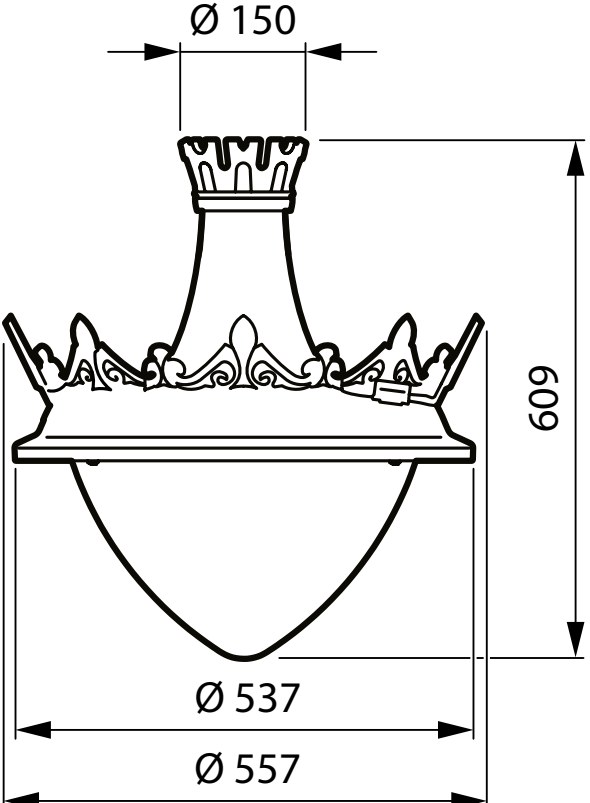
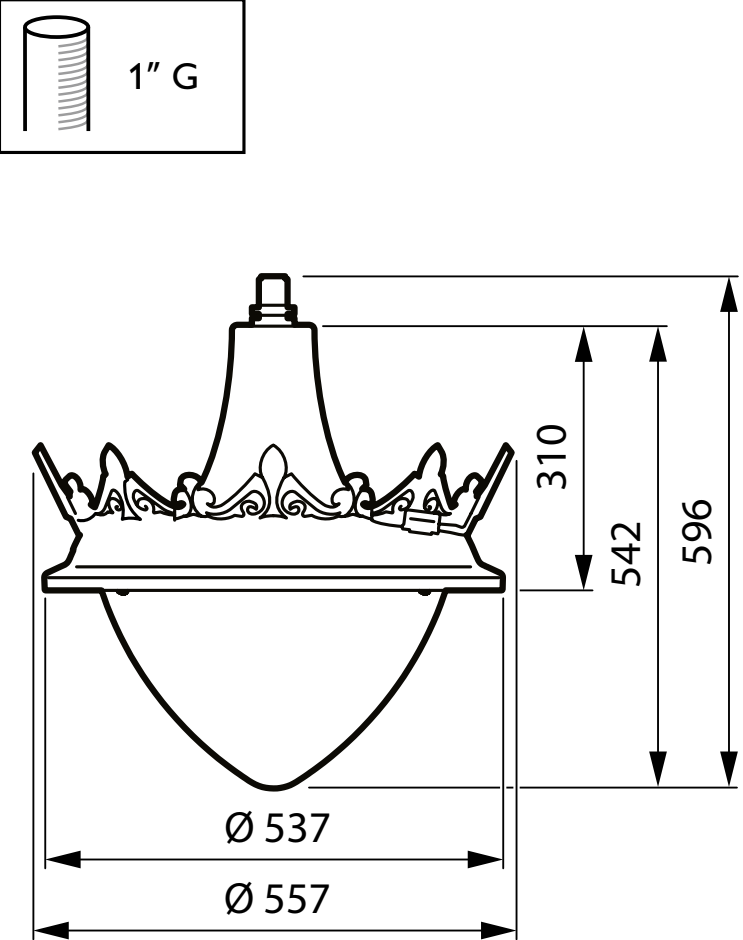
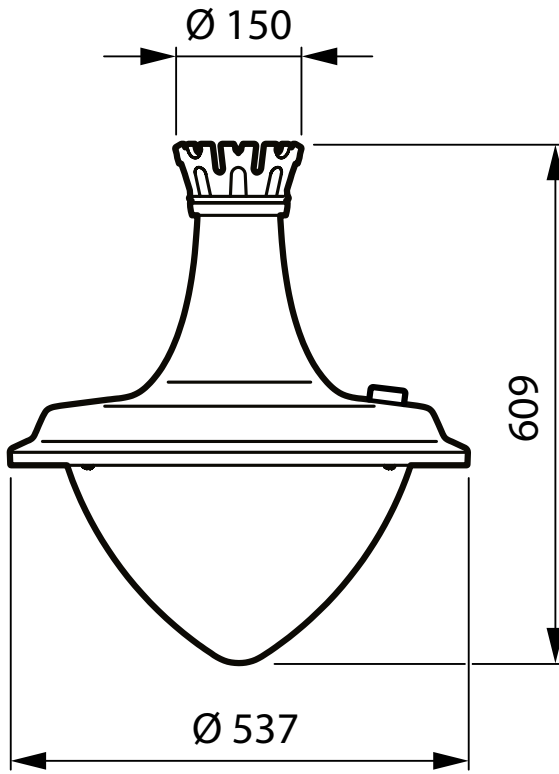
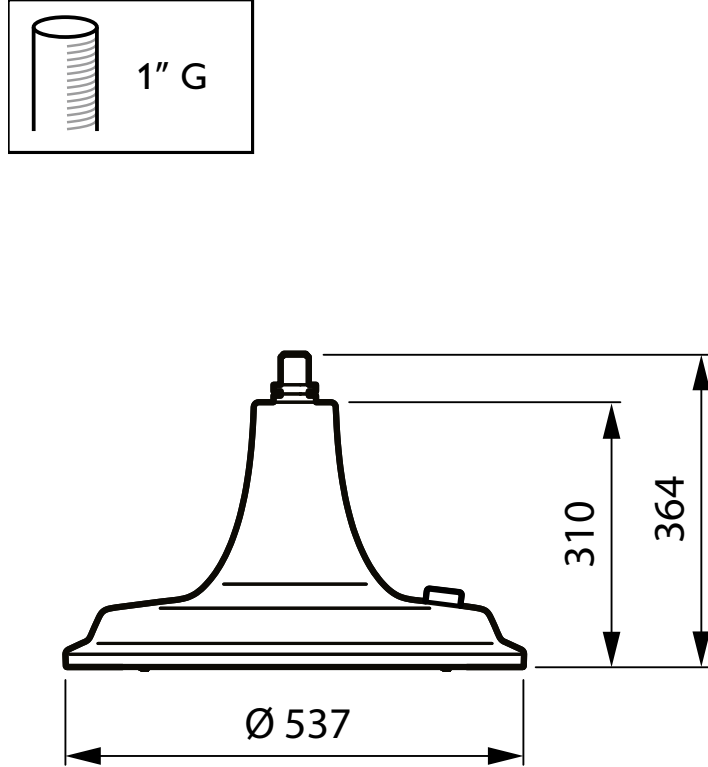
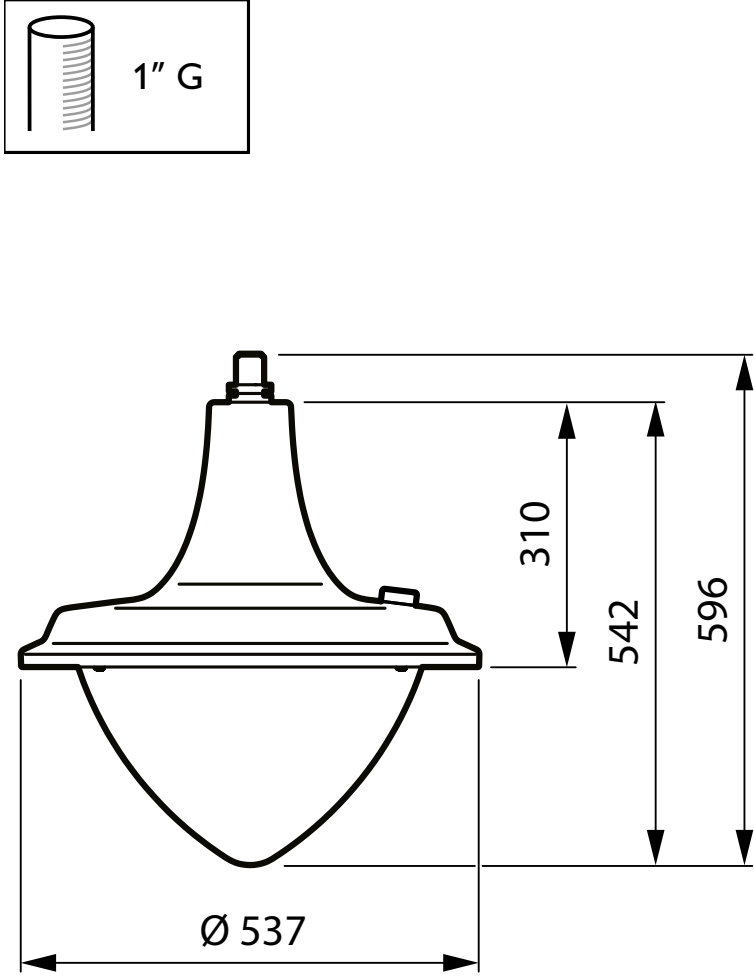
CityMood
Polycarbonate bowl

CityMood
Flat glass

CityMood
Top crown

CityMood
Bottom crown

CityMood
Top and bottom crown



You and Signify – a reliable partnership

Signify is the world leader in connected LED lighting systems, software and services. We proudly bring to market the best lighting brands in the world, including Signify, Philips and Interact.

We believe in close cooperation before, during, and after every project. Our local teams provide the support and information you need—with flexible, on-time delivery and reliable product availability.

To help you stay ahead, the [Signify Lighting Academy](#) offers a comprehensive range of educational resources to grow your expertise and earn certification.

Our global brands

Signify

Signify represents our commitment to sustainable innovation. As our leading brand for connected lighting systems, luminaires and components for the specification project business, Signify solutions serve the segments where we collaborate most closely with our customers.

Signify interact

Signify Interact is our IoT software platform for managing smart lighting systems and unlocking the value of the data they collect. Easy to install and configure, Interact supports a wide range of applications—from small offices to entire cities.

PHILIPS

Philips stands for quality and energy efficiency in lighting. It is our leading brand for innovative, off-the-shelf lighting products for professionals and consumers alike.

Get more info on our products, services and tools:

[signify.com/installers](https://www.signify.com/installers)

[signify.com/specifier](https://www.signify.com/specifier)



Driven by responsible innovation

Signify and the Mercedes-AMG PETRONAS F1 Team share a passion for technology and a desire to push the boundaries of what is possible.

Our innovations in lighting serve the well-being and performance of the team, deliver powerful experiences, both trackside and at home, and help the team pursue its ambition to become one of the most sustainable in sport.

Learn more at

[signify.com/partnership](https://www.signify.com/partnership)



the meaning of light