



Cph gen2 LED and City

BXS561/761/771

Brand: Philips, Signify

<b>Scan me!</b> <b>DOWNLOAD</b>  	  	 	<b>Scan me!</b> <b>DOWNLOAD</b> <b>Service tag</b> 
--	----------	------	--

220V 240V	outdoor 		50Hz 60Hz	IP66	IK08	Max. 25°C Min. -40°C					
--------------	-------------	--	--------------	------	------	-------------------------	--	--	--	--	--

--	--	--	--	--	--

Led Colour		722	727	730	740	830
Light Source Energy Efficiency Class	Ledgine-O (4S)	E	E	D	D	E

Driver	Full Prog Driver			System Ready Driver			Connected Ready Driver		
	MCB	Qty	Inrush current	MCB	Qty	Inrush current	MCB	Qty	Inrush current
<i>Wattage/window</i>	<i>type</i>	<i>qty</i>	<i>A/μs</i>	<i>type</i>	<i>qty</i>	<i>A/μs</i>	<i>type</i>	<i>qty</i>	<i>A/μs</i>
40W (0,2-0,7)A S175	B 16A	30	18A/240μs	B 16A	-	-	B 16A	-	-
40W (0,2-1,0)A C123		-	-		30	24,6A/159,5μs		30	35,4A/122μs
110W (0,2-0,7)A C133		10	47A/250μs		-	-		-	-
110W (0,2-1,0)A C150		-	-		29	49A/290μs		11	71,9A/143μs

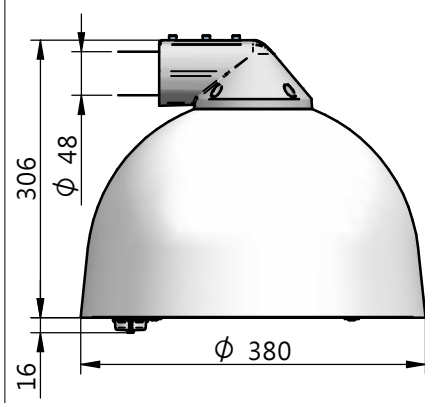
Luminaire	Dimensions (in mm)	m <sup>2</sup>	SCx (m <sup>2</sup> )	kg +/-5%
BDS/BRS/BSS 561/761	All dimensional drawings page 2	0,08		5,2
BPS 561/761		0,08		5,4



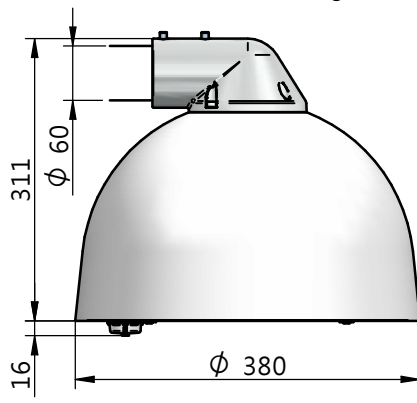
583 - 440812001659

2026-01-07  
© Signify Holding  
All rights reserved

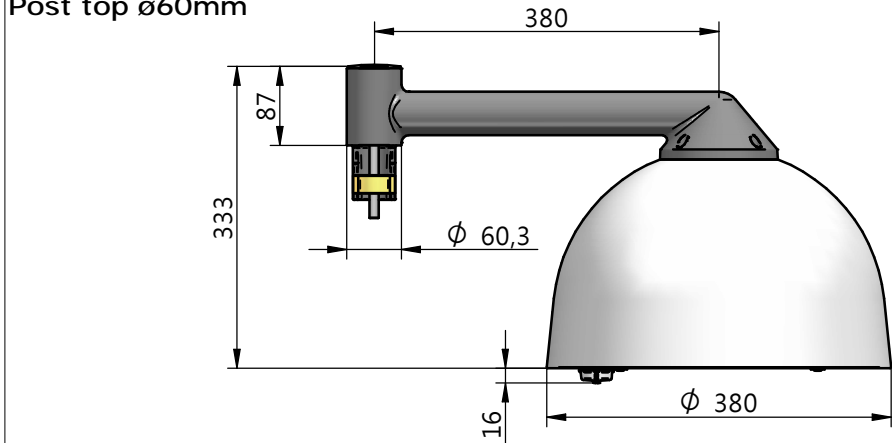
Cph LED/City gen2 BRS561/761  
Side entry ø48mm



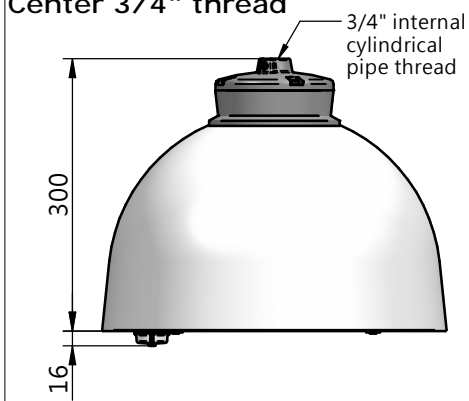
Side entry ø60mm



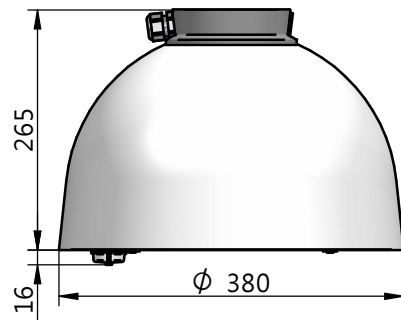
Cph LED/City gen2 BPS561/771  
Post top ø60mm



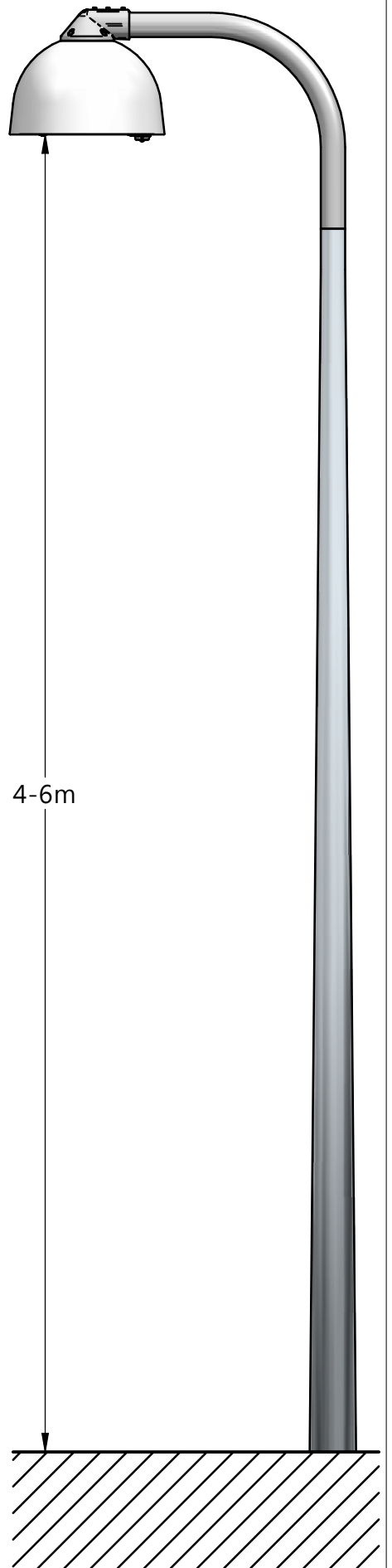
Cph LED/City gen2  
BDS561/761  
Center 3/4" thread



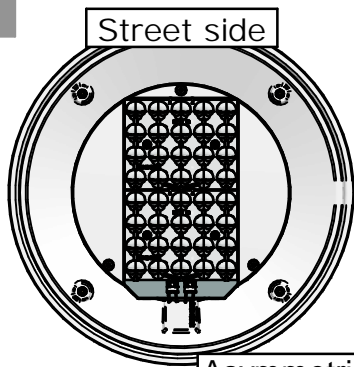
Cph LED/City gen2  
BSS561/761  
Suspended/wire



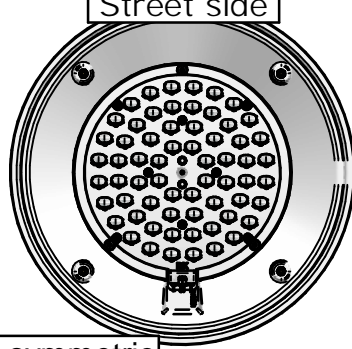
4-6m



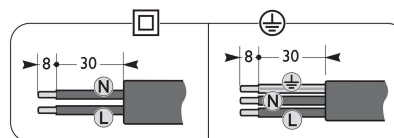
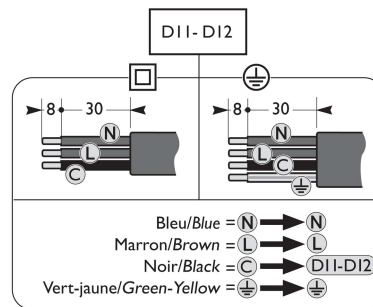
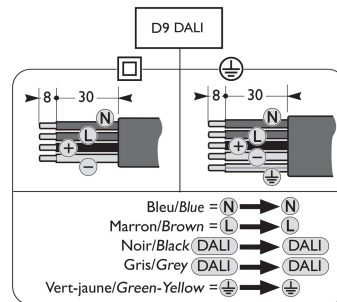
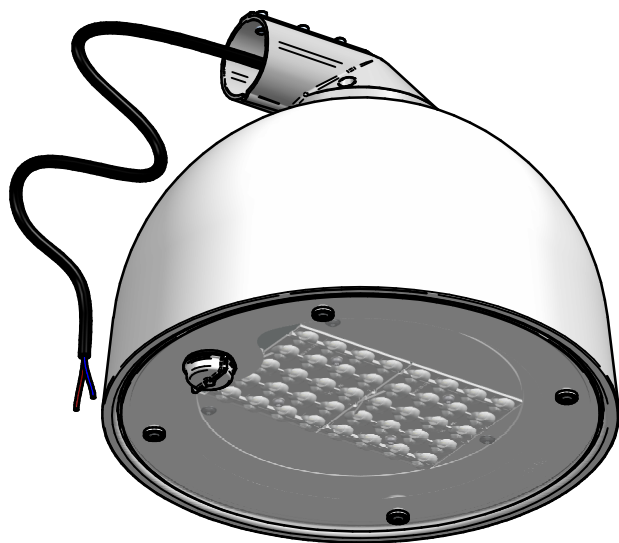
Cph LED gen2  
Street side



Cph City gen2  
Street side

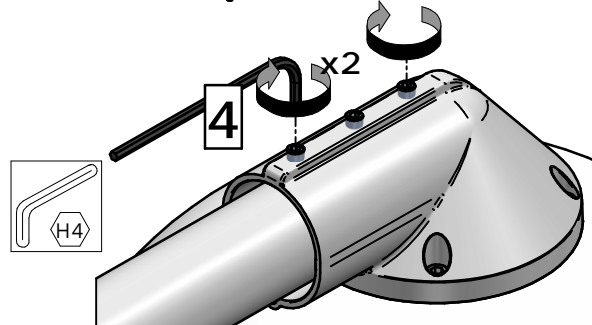
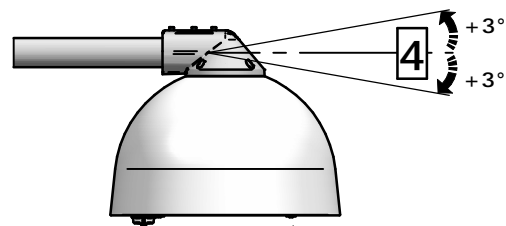
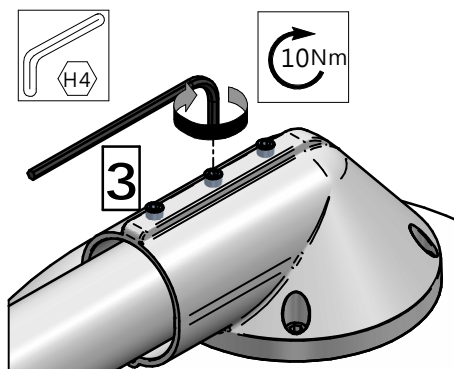
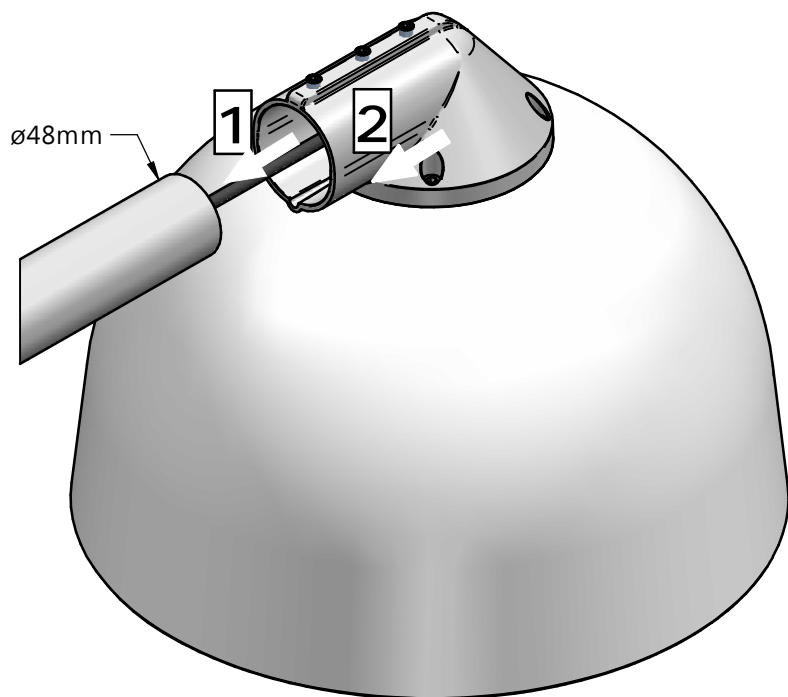


Asymmetric and symmetric  
light distribution



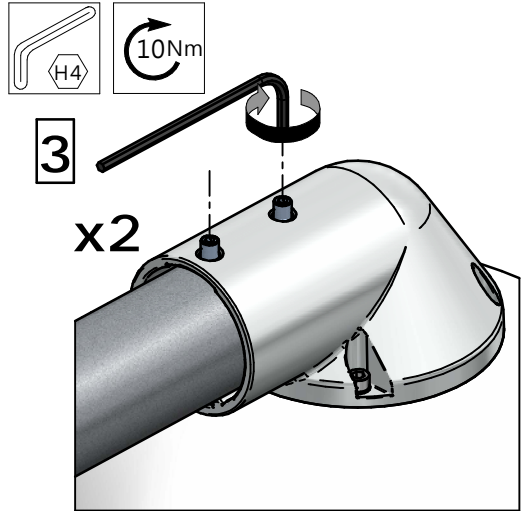
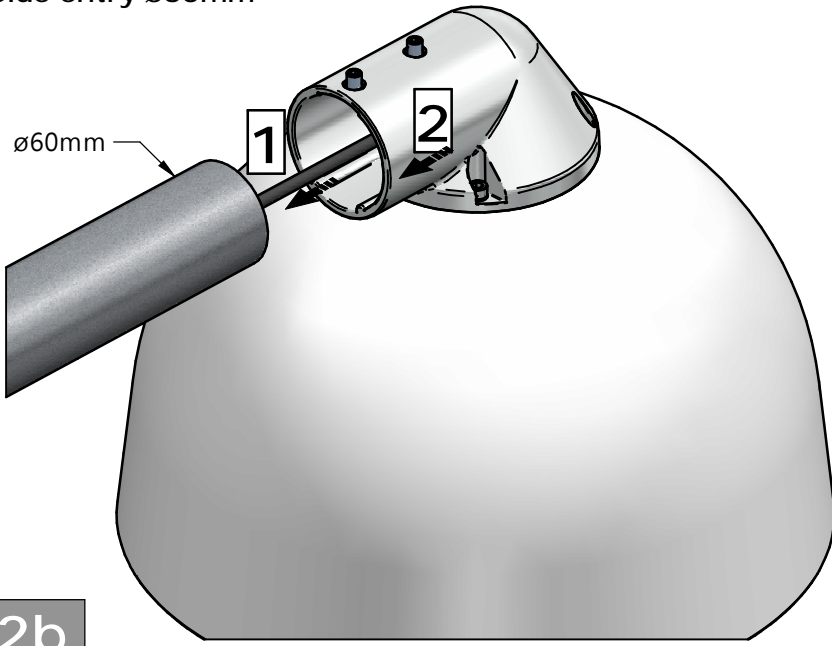
1

Cph LED gen2 BRS561  
Cph City gen2 BRS761  
Side entry  $\varnothing 48\text{mm}$



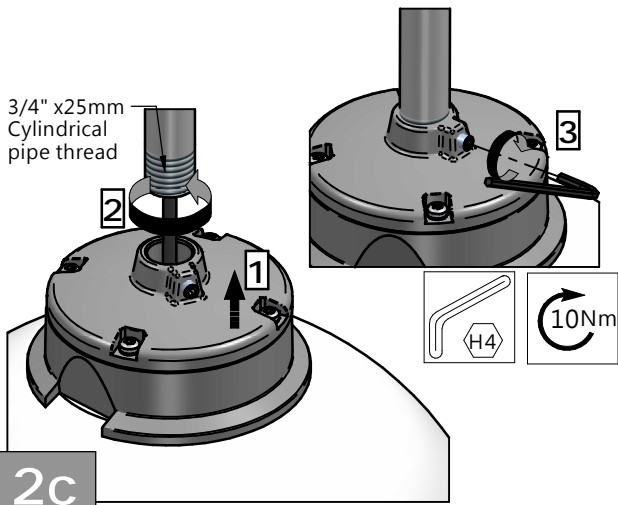
2a

Cph LED gen2 BRS561  
 Cph City gen2 BRS761  
 Side entry  $\varnothing 60\text{mm}$



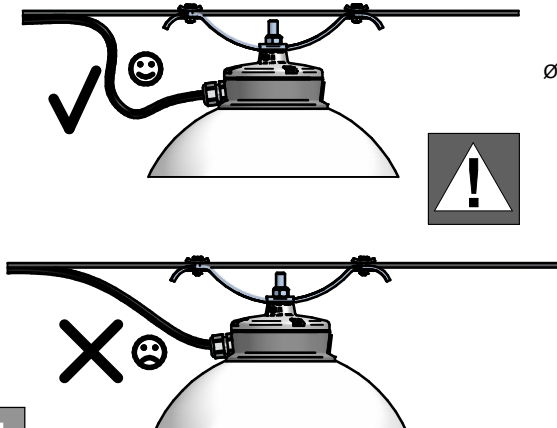
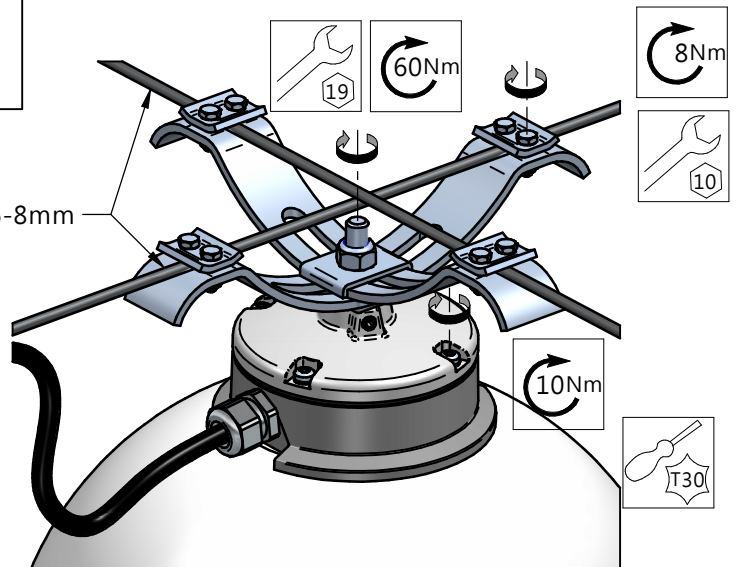
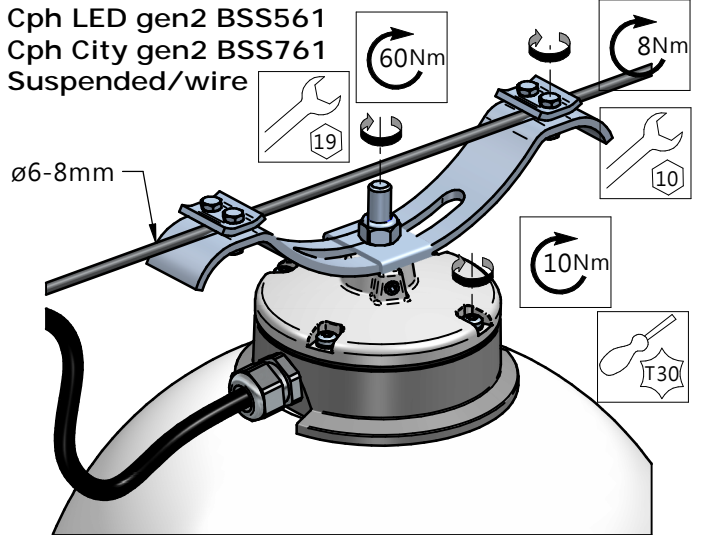
2b

Cph LED gen2 BDS561  
 Cph City gen2 BDS761  
 Top entry 3/4" Pipe thread



2c

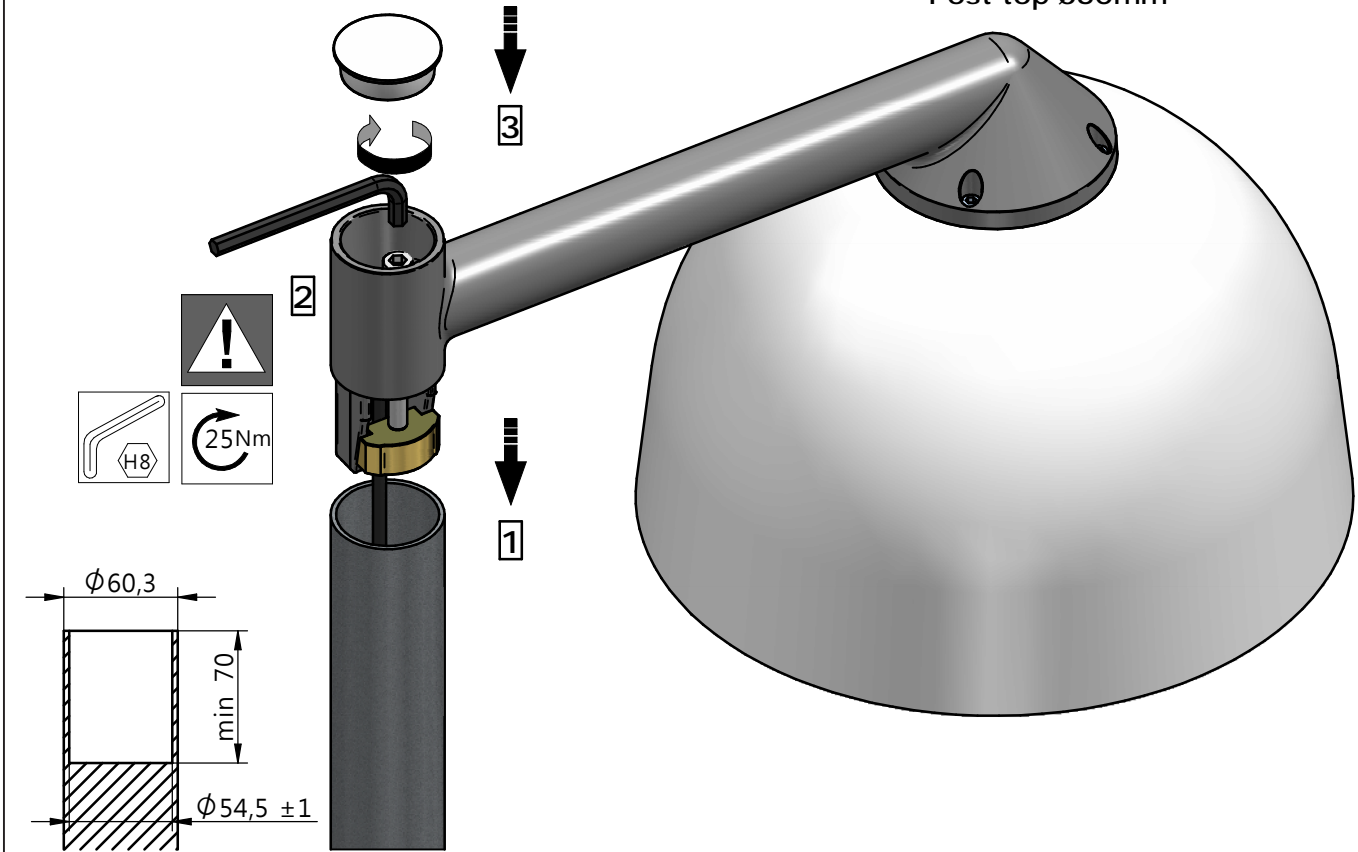
Cph LED gen2 BSS561  
 Cph City gen2 BSS761  
 Suspended/wire



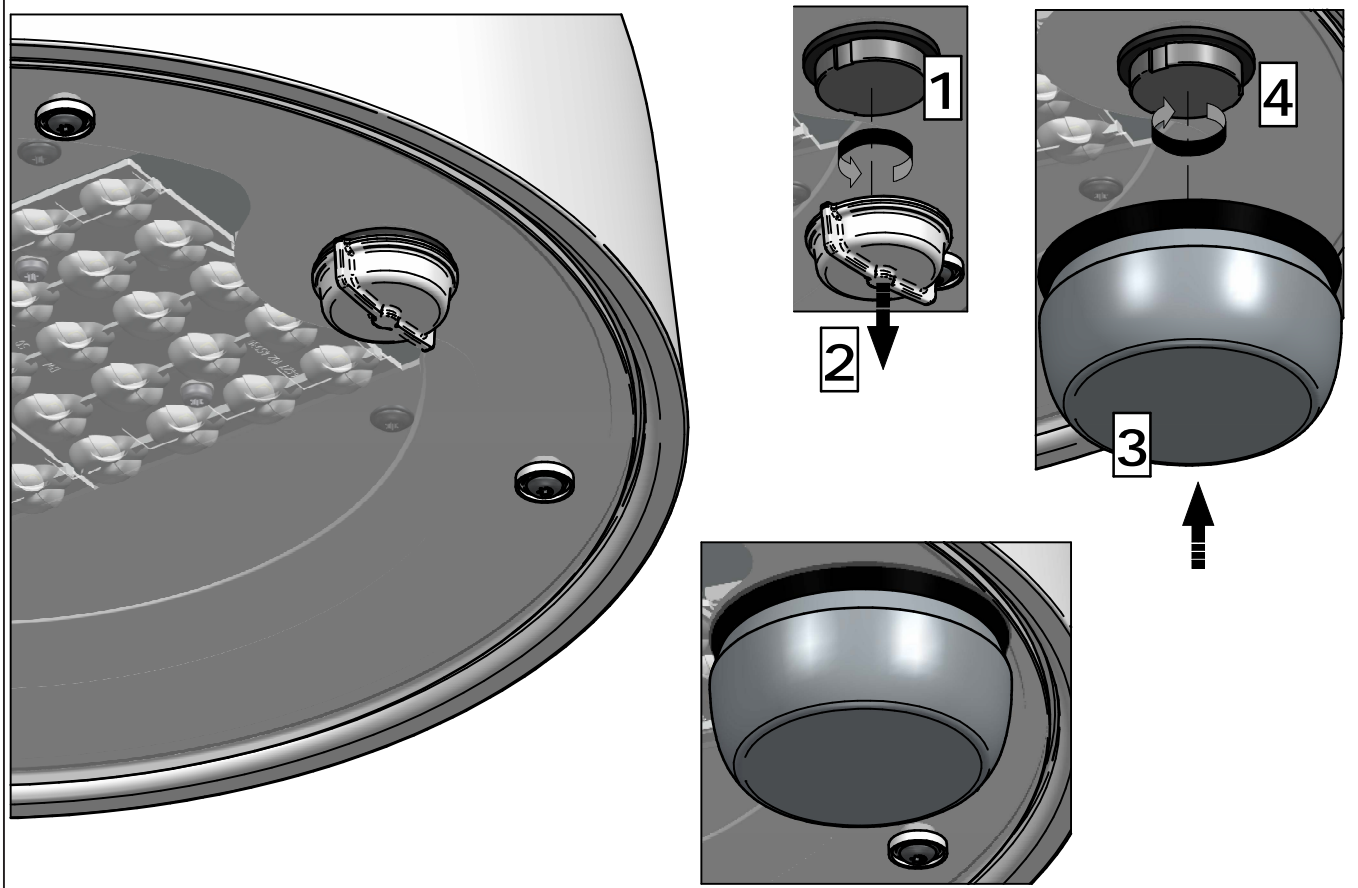
2d

2e

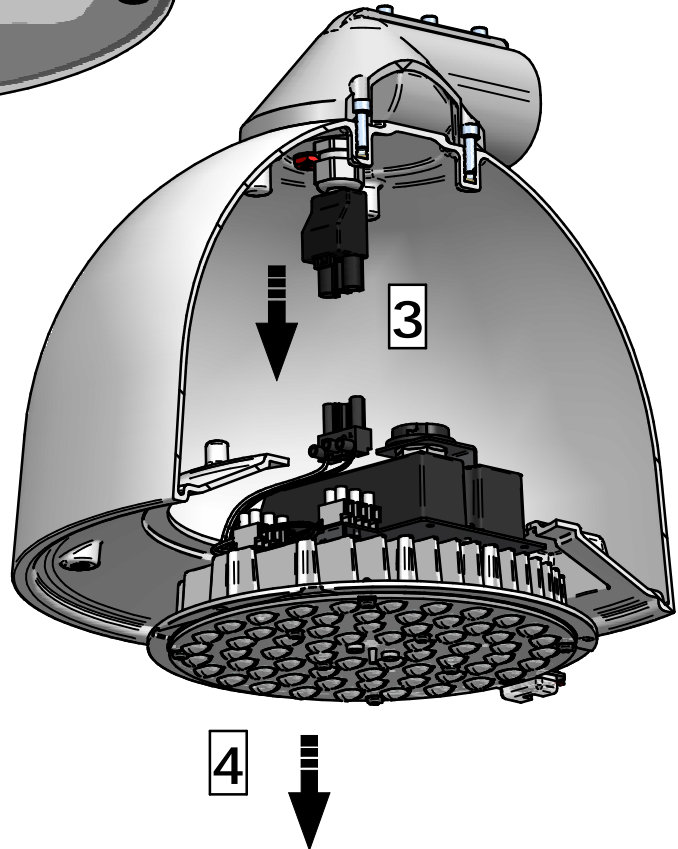
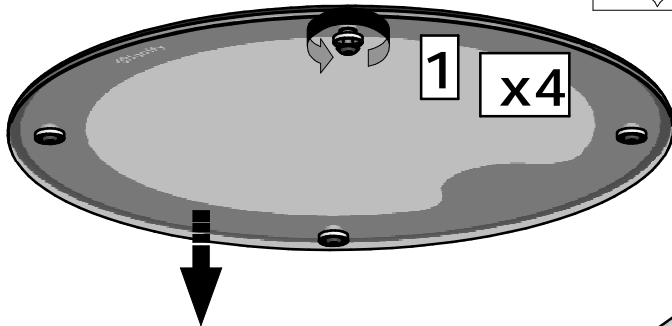
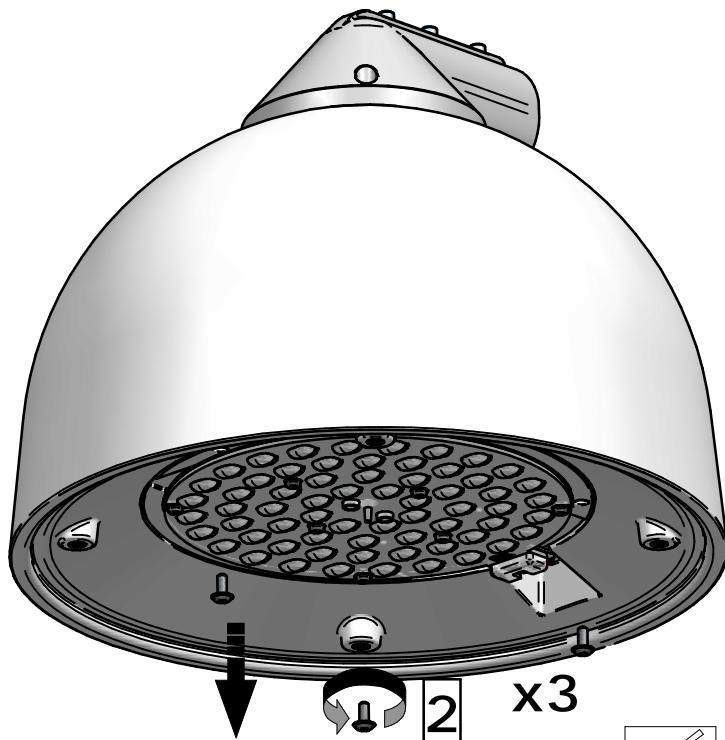
Cph LED/City gen2 BPS561/771  
Post top ø60mm



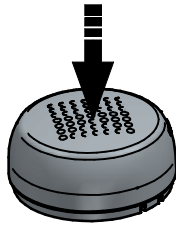
SR



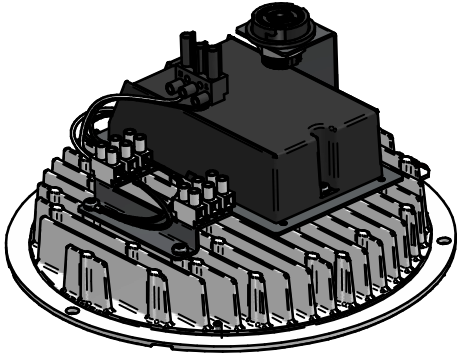
SR to IACZ



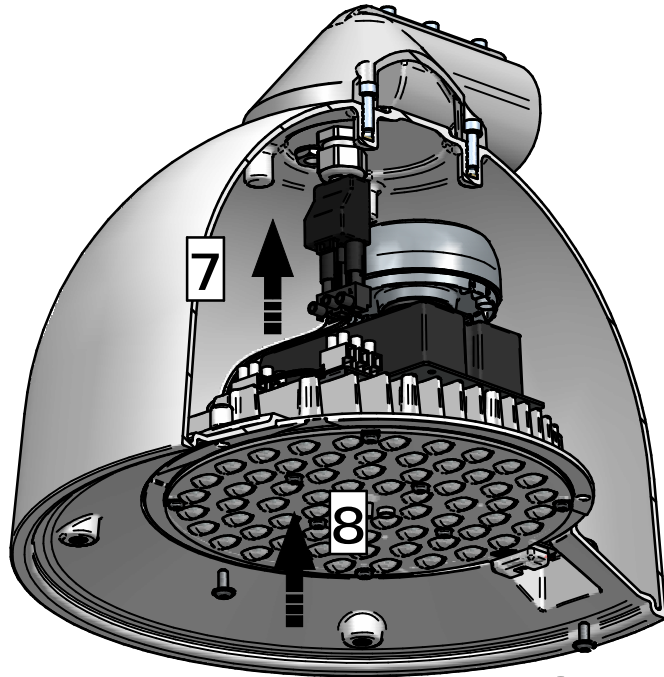
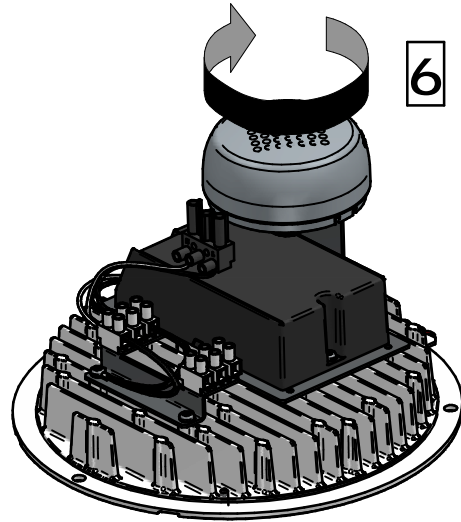
5



IACZ node



6

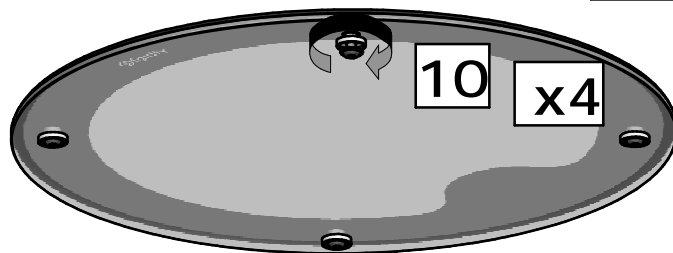
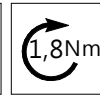


7

9 x3



9



10

x4





© 2021-2025 Signify Holding

All rights reserved. The information provided herein is subject to change, without notice. Signify does not give any representation or warranty as to the accuracy or completeness of the information included herein and shall not be liable for any action in reliance thereon. The information presented in this document is not intended as any commercial offer and does not form part of any quotation or contract, unless otherwise agreed by Signify. All trademarks are owned by Signify Holding or their respective owners.

Signify Holding  
The Netherlands