



CitySwan LED gen3
BDS 639
Brand: Philips, Signify

Scan me! DOWNLOAD 	 	 	Scan me! DOWNLOAD Service tag
--	----------	------	--

220V 240V	outdoor 	CE	50Hz 60Hz	IP66	IK08	Max. 25°C Min. -40°C					
--------------	-------------	----	--------------	------	------	-------------------------	--	--	--	--	--



Led Colour		722	727	730	740	830
Light Source Energy Efficiency Class	Ledgine-O (4S)	E	E	D	D	E

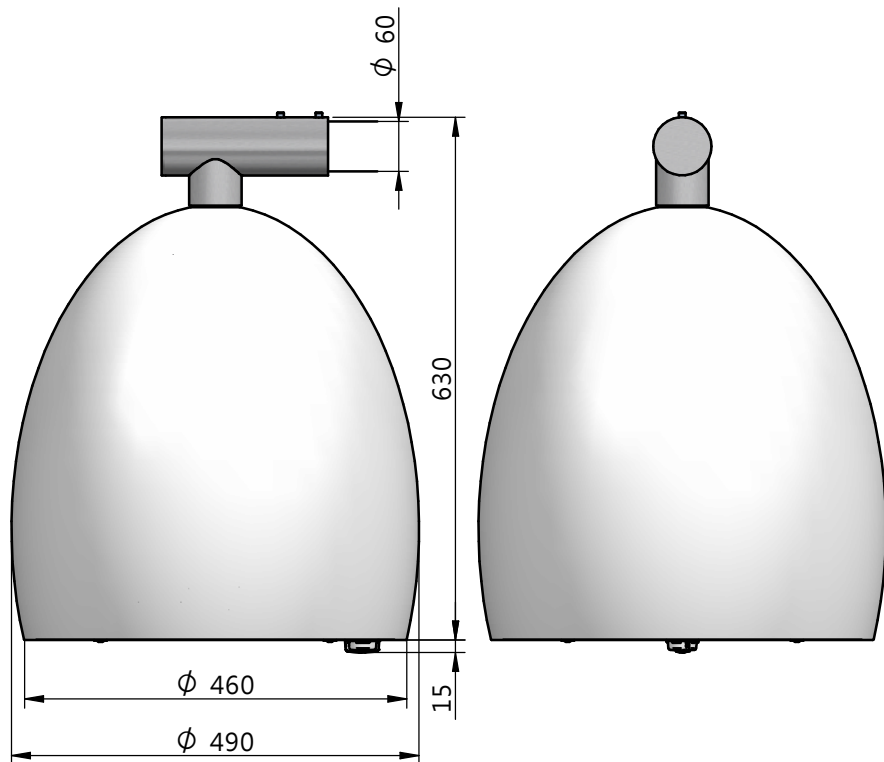
Driver	Full Prog Driver			System Ready Driver		
	MCB	Qty	Inrush current	MCB	Qty	Inrush current
<i>Wattage/window</i>	<i>type</i>	<i>qty</i>	<i>A/μs</i>	<i>type</i>	<i>qty</i>	<i>A/μs</i>
75W (0,2-0,7)A S240	B 16A	11	55A/200μs	B 16A	-	-
75W (0,2-0,7)A S240		-	-		8	67A/210μs
150W (0,2-0,7)A S240		10	47A/250μs		-	-
150W (0,2-0,7)A S240		-	-		15	11,2A/135μs

Luminaire	Dimensions (in mm)	m ²	SCx (m ²)	kg +/-5%
BDS 639 top side ø60	All dimensional drawings page 2	0,21		9,8
BDS 639 top 3/4"		0,21		9,3

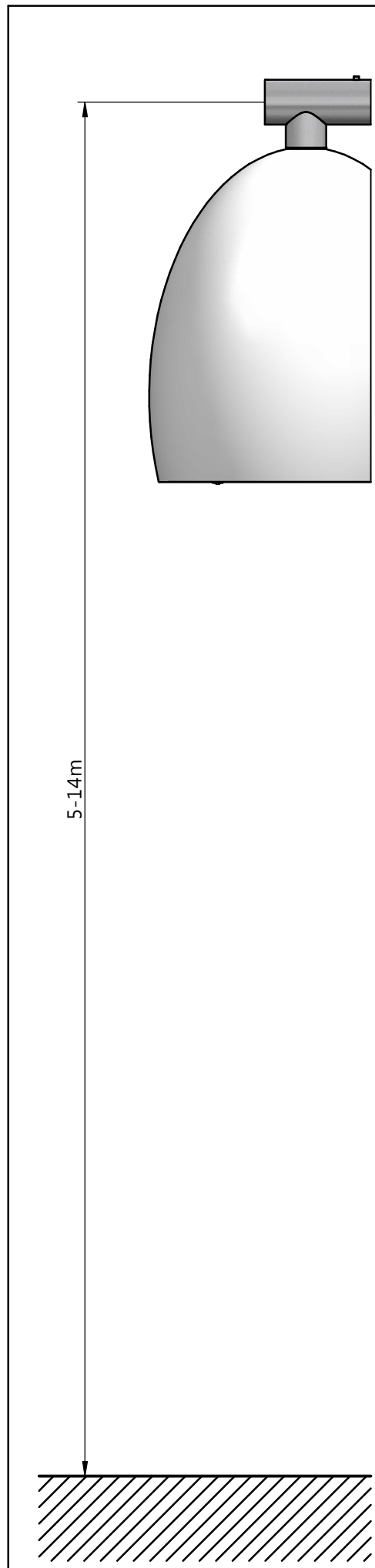
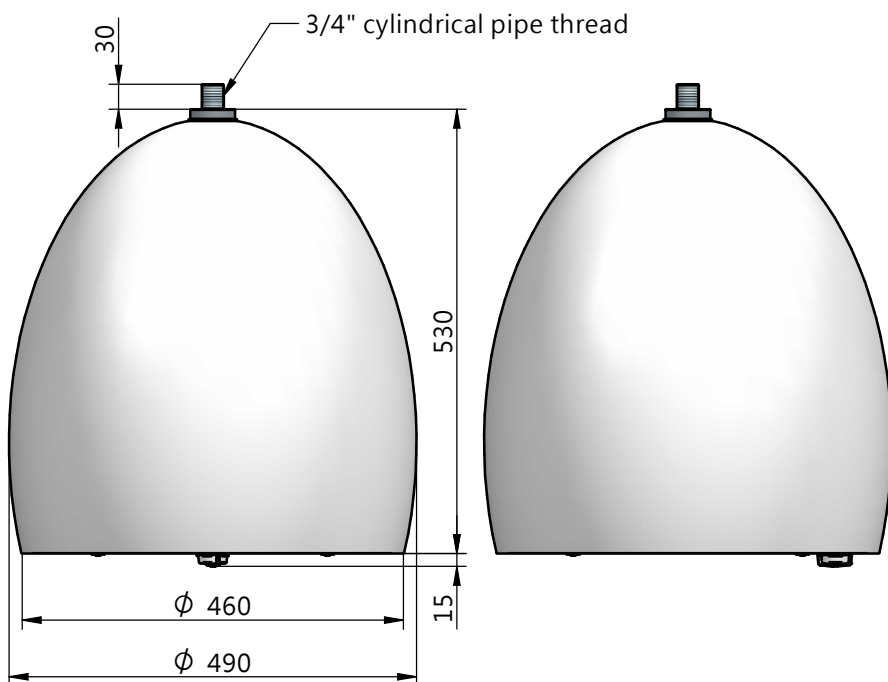


583 - 440812001671
2026-01-13
© Signify Holding
All rights reserved

CitySwan LED gen3 BDS639
Top side entry $\phi 60$ mm

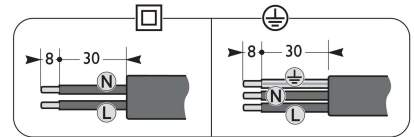
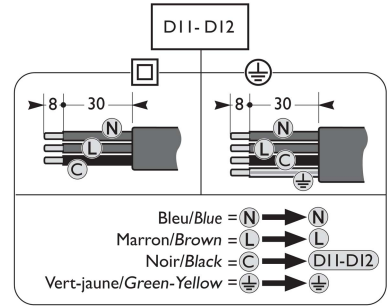
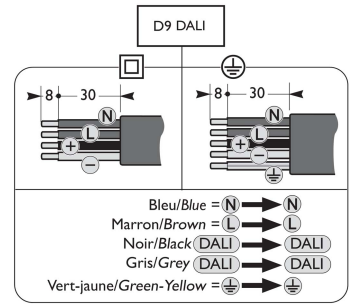
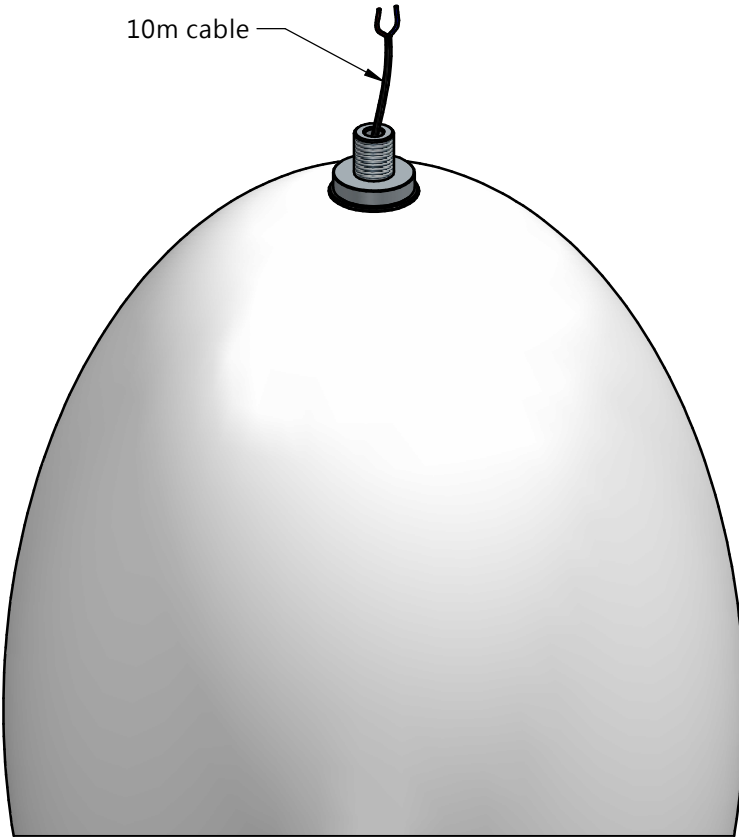


CitySwan LED gen3 BDS639
Top entry 3/4"

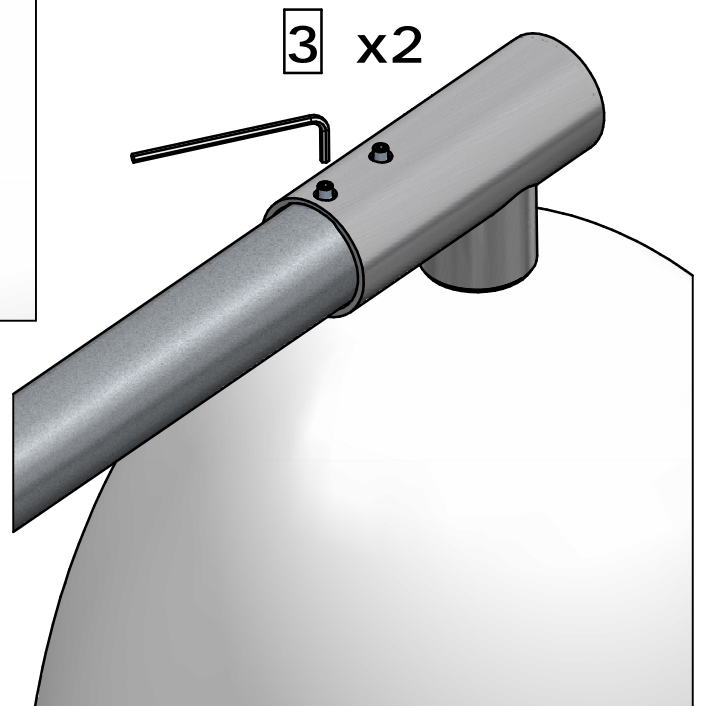
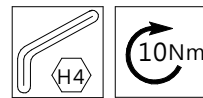
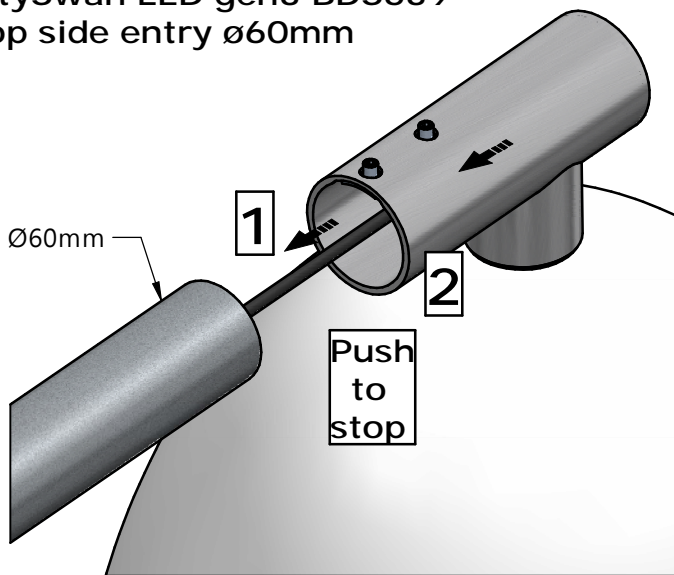




10m cable

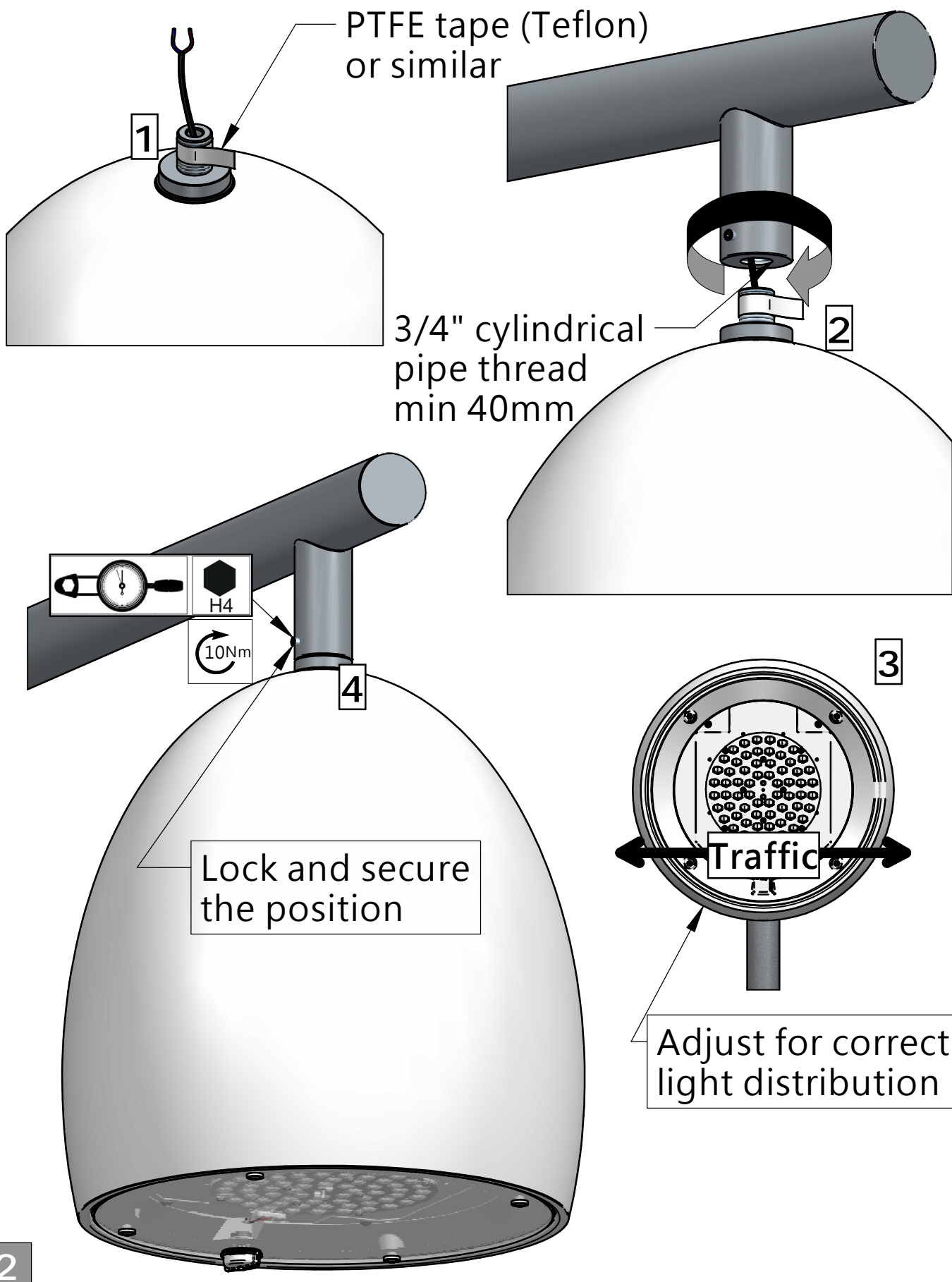


CitySwan LED gen3 BDS639 Top side entry $\varnothing 60\text{mm}$

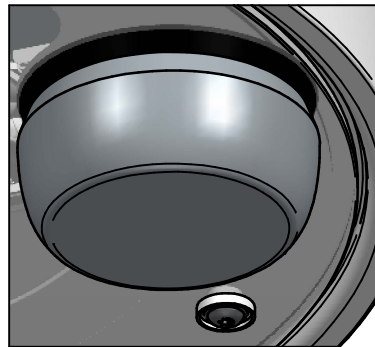
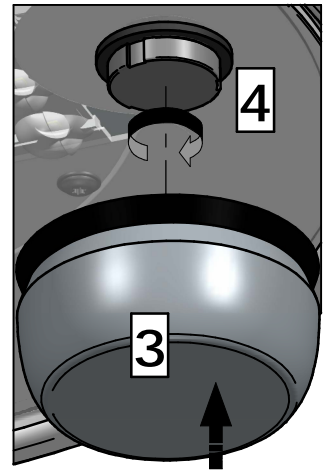
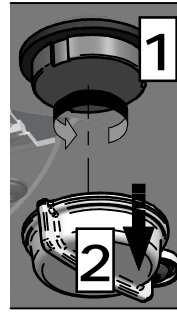


1

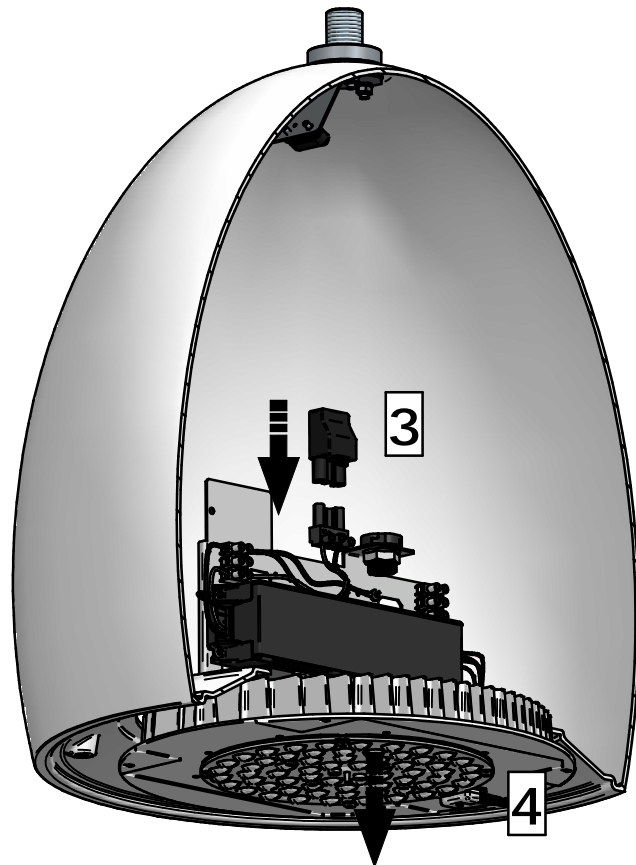
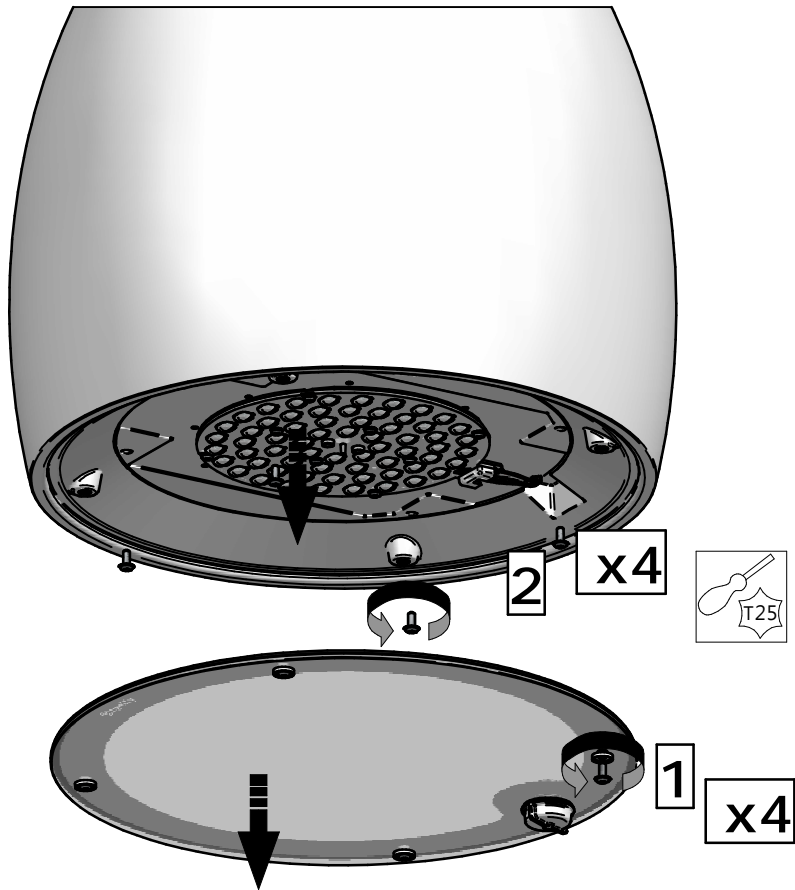
CitySwan LED gen3 BDS639
Top entry 3/4"



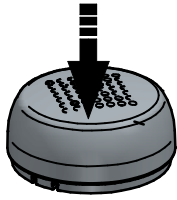
SR



SR to IACZ

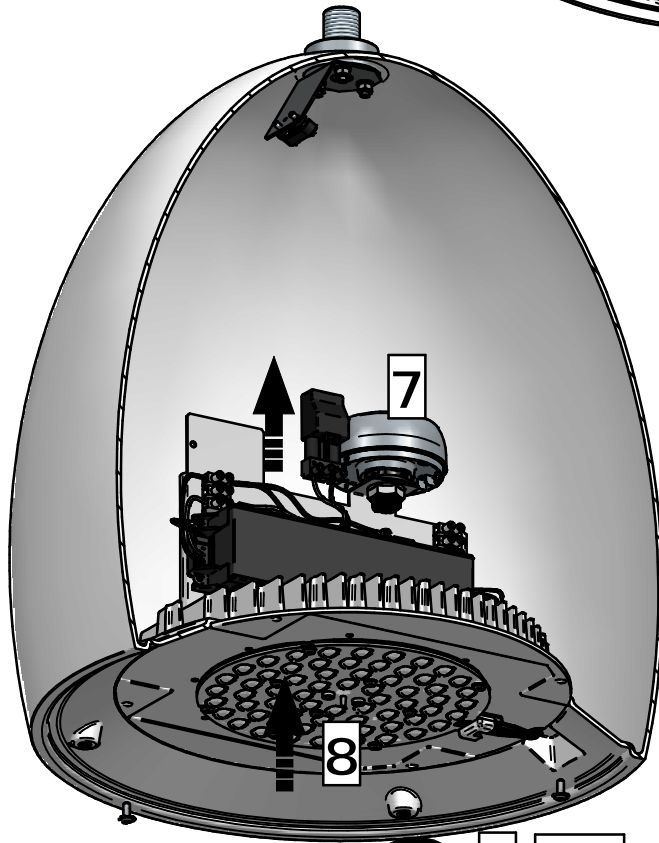
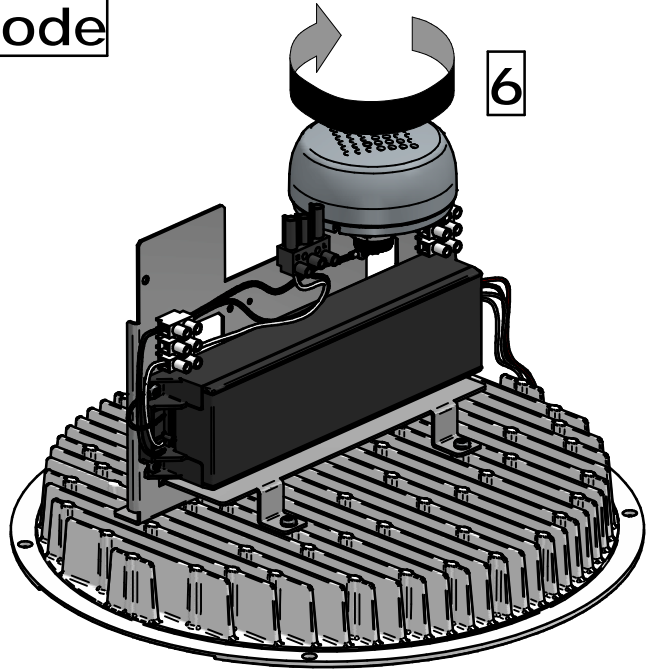
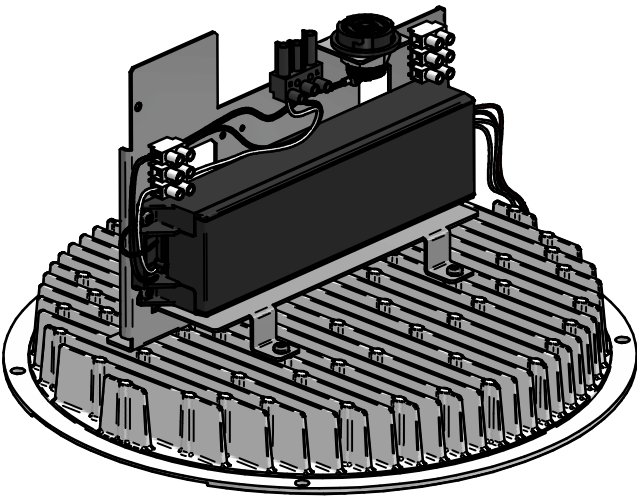


5



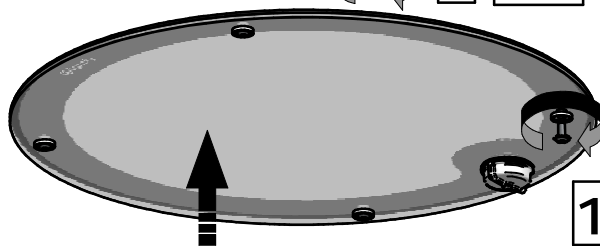
IACZ node

6



9

x4



10

x4



© 2021-2025 Signify Holding

All rights reserved. The information provided herein is subject to change, without notice. Signify does not give any representation or warranty as to the accuracy or completeness of the information included herein and shall not be liable for any action in reliance thereon. The information presented in this document is not intended as any commercial offer and does not form part of any quotation or contract, unless otherwise agreed by Signify. All trademarks are owned by Signify Holding or their respective owners.

Signify Holding
The Netherlands