



# EasyAir switches

## System Description and Technical Specifications

Signify EasyAir 2B and Signify EasyAir 4B switches are wireless switches working together with MasterConnect integrated sensors, radio nodes and wireless drivers.

Signify EasyAir 2B and Signify EasyAir 4B are easy to commission using Near Field Communication (NFC) and the MasterConnect app.

### Product features

- Fast and easy commissioning via NFC
- Maintenance free
- No wiring or power connections
- No battery needed
- Low mechanical force needed to operate devices

### Applications

- Indoor lighting systems
- Offices, education & hospitals
- Retail applications
- Warehouses and production sites

[For more information see:](#)

<https://www.signify.com/global/prof/>



# EasyAir switches

## Product data

Product data	
Switch functions	on/off, dimming, scene setting (4B switch only)
Range	within one room (up to 10m line of sight)
Overall dimensions	81mm x 81mm x 14mm
Net weight per piece	58 g
Mounting	gluing (double-sided mounting film enclosed), screwing onto flat surface
Energy source	electro-dynamic energy generator, maintenance free
Frequency	2.4 GHz / ZigBee Green Power (ZGP)
Lifetime	> 50.000 actuations (switching cycles) according to EN 60669 / VDE 0632
Operating Ambient Temperature Range	-25 °C to 65 °C
Operating Humidity	0 ... 95% r.h., non-condensing (dry environment only)
Agency Approbations	CE, RED, FCC, IC
Radio compliance	the radio equipment is in compliant with Directive 2014/53/EU
Warranty	1 year warranty

## Compatible devices

EasyAir MasterConnect sensors and radio nodes  
Xitanium MasterConnect wireless drivers

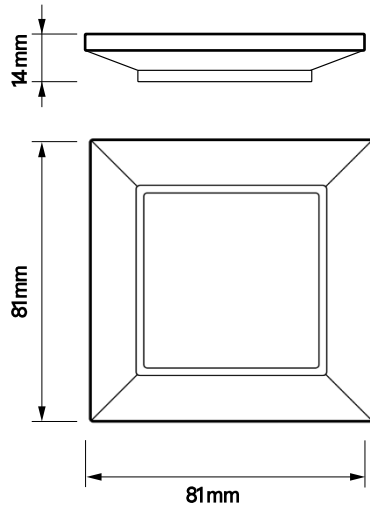
## Ordering information

Commercial product name	Colour	Description	EOC	12NC	MOQ
Signify EasyAir 4B switch	White	4 Button	871951428077900	9290 028 21806	10
Signify EasyAir 2B switch	White	2 Button	871951428079300	9290 028 21906	10

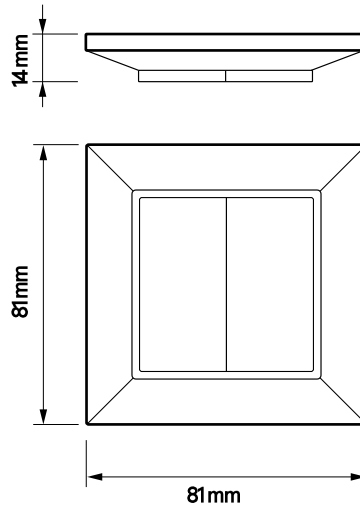
# EasyAir switches

## Dimensions

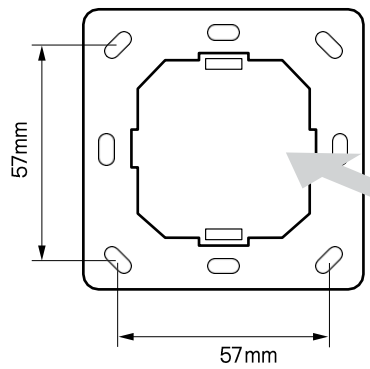
### Dimensional drawings



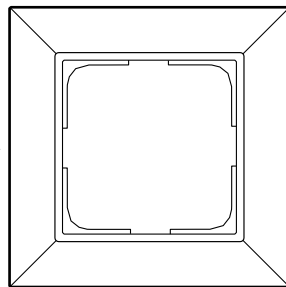
2B switch



4B switch



For mounting see Installation Instructions



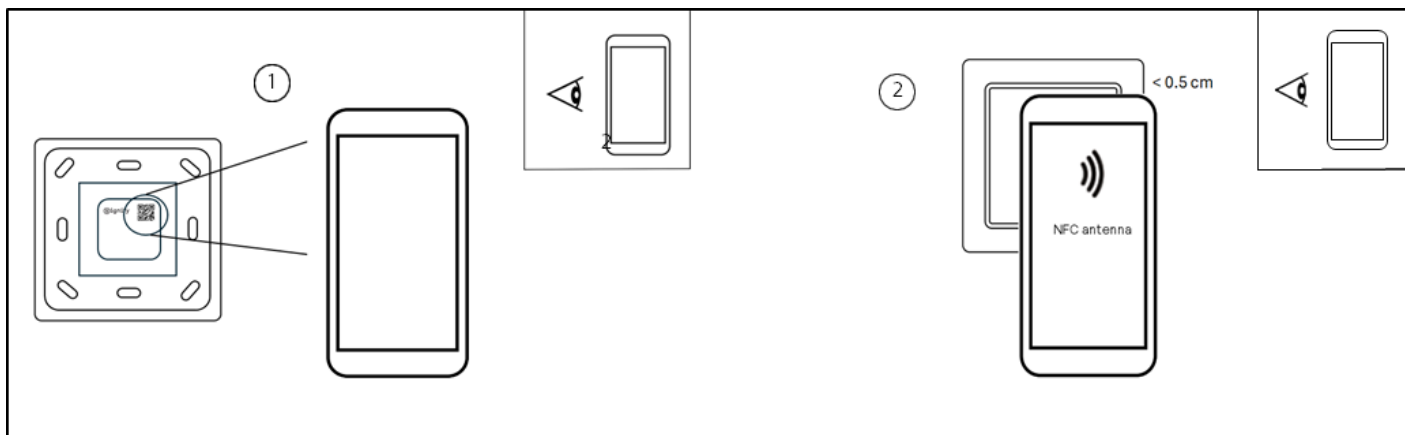
The rocker of the switch should not be removed. It can result in malfunction.

# EasyAir switches

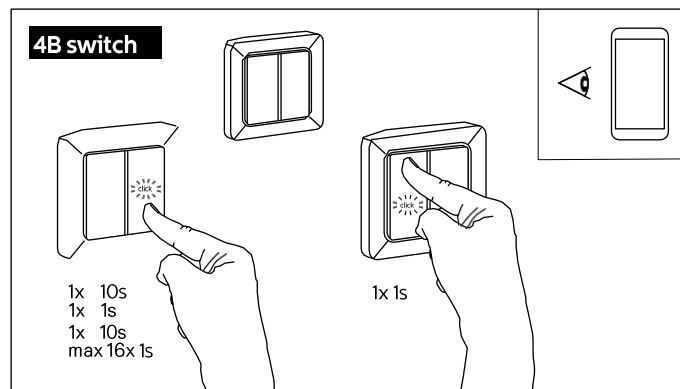
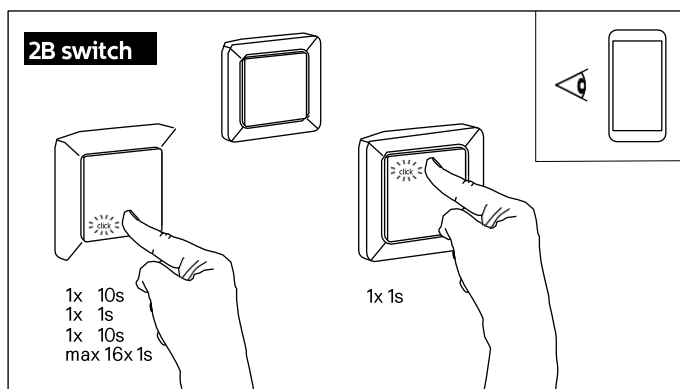
## Commissioning

Signify EasyAir switches can be commissioned in two ways, via NFC or a defined procedure of button presses.

### Commissioning via NFC



### Commissioning via button presses



# EasyAir switches MasterConnect

## Disclaimer

©2026 Signify Holding B.V. All rights reserved.

Note that the information provided in this document is subject to change.

This document is not an official testing certificate and cannot be used or construed as a document authorizing or otherwise supporting an official release of a luminaire. The user of this document remains at all times liable and responsible for any and all required testing and approbation prior to the manufacture and sale of any luminaire.

The recommendations and other advice contained in this document, are provided solely for informational purposes for internal evaluation by the user of this document. Signify does not make and hereby expressly disclaims any warranties or assurances whatsoever as to the accuracy, completeness, reliability, content and/or quality of any recommendations and other advice contained in this document, whether express or implied including, without limitation, any warranties of satisfactory quality, fitness for a particular purpose or noninfringement. Signify has not investigated, and is under no obligation or duty to investigate, whether the recommendations and other advice contained in this document are, or may be, in conflict with existing patents or any other intellectual property rights. The recommendations and other advice contained herein are provided by Signify on an "as is" basis, at the user's sole risk and expense.

Specifically mentioned products, materials and/or tools from third parties are only indicative and reference to these products, materials and/or tools does not necessarily mean they are endorsed by Signify. Signify gives no warranties regarding these and assumes no legal liability or responsibility for any loss or damage resulting from the use of the information thereto given here.

03/2026  
Data subject to  
change