

PHILIPS

GentleSpace gen4

Highbay lighting

GentleSpace

High-quality, efficient lighting
engineered for excellence in
tough environments



Philips is a lighting brand by Signify,
Official Lighting Partner of Mercedes-AMG Petronas F1 Team



Official Lighting Partner
AMG
PETRONAS
FORMULA ONE TEAM

*This icon has been developed by Signify and is used as a self-certification for the Philips UltraEfficient lamps and luminaires meeting the standards of EU Energy Label A or B (lamps) and tier 3 in IEA 4E SSL ANNEX (luminaires). Only applicable for Philips GentleSpace UltraEfficient configurations.

Enhance safety and efficiency in demanding environments

Introducing the new Philips GentleSpace gen4: the ultimate lighting solution designed for industrial settings and indoor sports facilities

The new GentleSpace not only meets but exceeds expectations by ensuring superior light quality, improving employee safety and productivity, and complying with all relevant safety regulations. Its robust and compact product architecture makes it fit for even the most demanding environments, such as heavy industry. Engineered for longevity, GentleSpace gen4 reduces the frequency, hassle and costs of maintenance, making it ideal for high-ceiling installations. Its energy-efficient design cuts operational expenses, offering maximum application efficiency and an attractive total cost of ownership (TCO).

Embrace sustainability with GentleSpace gen4, the highbay solution that complies with the principles of the circular economy by prioritizing durability and recyclability. The luminaire is serviceable, with all the information available at your fingertips via the Signify Service tag app. Additionally, GentleSpace gen4 offers advanced connectivity options. It's ready to use in connected lighting systems like Interact.



> Main product benefits	3
> Design highlights	4
> Flexible mounting and connection	5
> Application areas	6
> ATEX	10

> Choice of beams	11
> Product configurator	12
> Connectivity: Interact	13
> Lighting for circularity	14
> Product specifications	17

The new GentleSpace up close

Withstands the harshest conditions and environments

- Robust, single piece aluminum housing
- High impact (IK07/IK08), water and dust (IP65) resistance
- Broad temperature resistance range (-40°C to +70°C with Xtreme version)
- ATEX 2/22
- Chemical resistance
- Ball-proof certified
- Swimming pool coating



Integrated emergency lighting options

High-quality lighting for any application

- Excellent light uniformity and low glare
- Wide variety of optics
- Extended lumen package



Versatile mounting and electrical connection options

Energy-efficient and durable

- UltraEfficient (UE) version: 189 lm/W
- High-Efficiency(HE) version: 183 lm/W
- Lifetime: 100,000 hours (L85)

Ingenious design — both front and rear

Flat surface for easy cleaning

Symmetrical, one surface of light
for superior light quality and uniformity

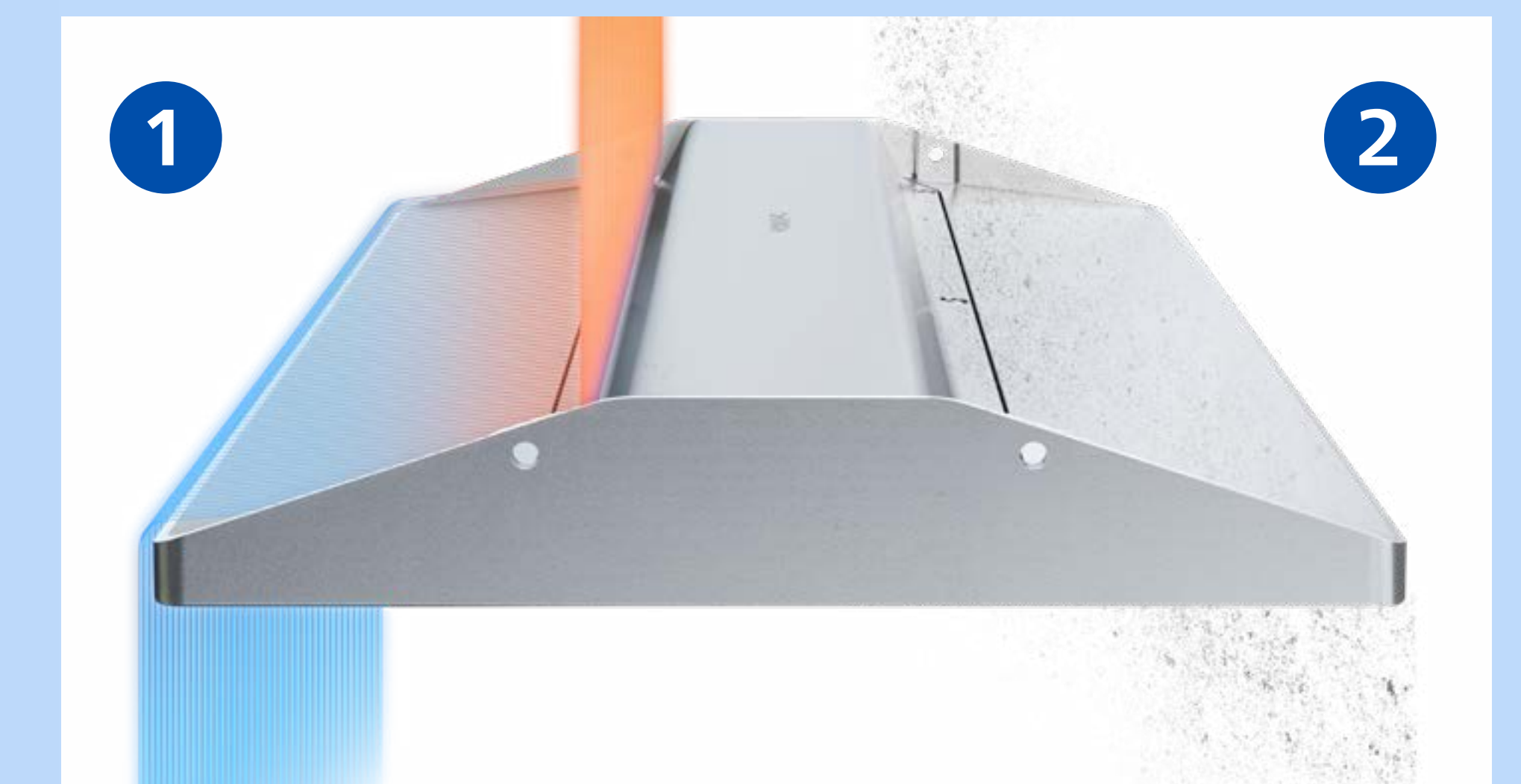
Glass or Polycarbonate cover to fit different application needs

Easy to handle thanks to reduced weight
20% lighter than previous generation

Glass
PC



Exceptional design with limited edges



1
For efficient thermal management without the need for dust-accumulating ribs or cut-outs

2
For a "self-cleaning" effect: The inclination and lack of edges prevent dirt from remaining on the surface

Flexible mounting and installation

Philips GentleSpace gen4 can be customized with a variety of mounting and connector options. Your selected components are included in the package, for an installation straight out of the box.

Smart design to enable **versatile mounting accessories:**

Suspension set



Bracket



Ceiling-mounted



Wall-mounted



Twin bracket, for 70,000 lm



Connection of luminaires



The **electrical connection** can be flexibly configured using the various options:

Wieland (embedded)

Wieland (on cable)



Cable without connector



Lighting you can trust, in any environment

Philips GentleSpace gen4 is as robust and reliable as its predecessors, but offers even more options for harsh conditions. Discover on the next pages what makes GentleSpace gen4 your go-to solution for highbay lighting in:



Manufacturing sites

Heavy industry | Food and beverage | Automotive



Indoor sports facilities and swimming pools



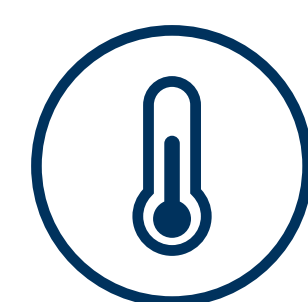
Warehouses and logistics centers

Manufacturing sites

Manufacturing sites often host highly complex or dangerous activities. Optimal lighting should therefore eliminate all disturbing elements such as glare and enable workers to perform their tasks in a safe environment. Moreover, lighting systems need to be resistant to demanding environmental conditions, such as extreme temperatures, dust, or moisture.

GentleSpace gen4 meets these challenging requirements:

Built to last



- Suitable for operation in extreme temperatures from -40°C to +70°C
 - Choose Xtreme (XT) version
- Tested against a broad list of chemical substances that may be present in industrial settings¹

Safety

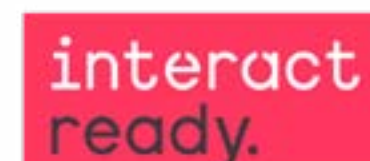


Zone 2/22

- Complies with relevant norms (CE/ENEC/HACCP/IFS)
 - Choose PC versions (polycarbonate cover) for use in the food and beverage industry where HACCP/IFS certification is required
- ATEX 2/22 certified options available for hazardous areas (see page 10 for more details)
 - Choose BY482P or BY483P
- Integrated emergency lighting options
 - Choose ELP3, ELD3 or ELW3
- Products with safety class II available
 - Choose Class II

Beam selection/light quality

- Smooth, color-consistent light distribution, across multiple lumen packages
- Enables effective lighting plans, that enhance safety and productivity of workers



Connectivity options

- Optimize energy usage through sensor-enabled motion and daylight harvesting
- Benefit from functionalities of control systems like Interact, such as remote control and monitoring of the lighting system to optimize operational costs
 - Choose Interact Ready product versions (SIA or SEIA)



Heavy industry



Food and beverage



Automotive

¹ Detailed information will be available soon



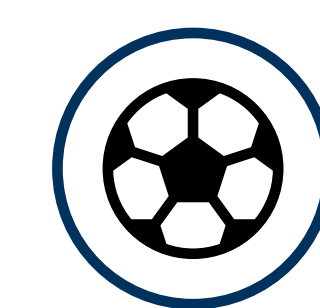
Indoor sports halls and swimming pools

In sports halls, visibility, uniformity of light, comfort for eyes and robust design are crucial. GentleSpace gen4 not only ticks those boxes, but also provides a dedicated, proven versions for sports applications with special requirements, such as swimming pools and ball-games.

How GentleSpace gen4 delivers top performance:

Built to last

- Swimming pool suitable versions with special coating available
 - i** Choose SWP (swimming pool protection) or MSP (marine salt protection for salt-based swimming pools)



- Ball-proof VDE certified version with proven impact protection
 - i** Choose BP in the product configurator

Beam selection

- Asymmetrical optic (in combination with wall-mounted bracket) offers comfort for players by reducing glare
 - i** Choose ASYM optic in the product configurator

Light quality

- High-lumen packages available to optimize visibility for athletes and help spectators see the action clearly
- High color rendering index (CRI >80 and CRI 90) for a great visual experience for spectators



Connectivity options

- Benefit from functionalities of control systems like Interact, such as remote control and monitoring of the lighting system to optimize operational costs
 - i** Choose Interact Ready product versions (SIA or SEIA) with wireless antenna (IA9)

Warehouses and logistics centers

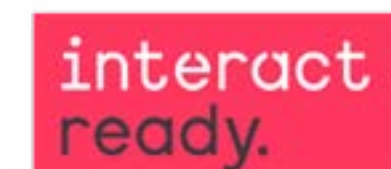
With long operating hours and the lights on 24/7, warehouses and logistics centres can benefit enormously from an efficient and smart lighting system. The higher lumen output from a single luminaire provides greater design flexibility. When layout plans change, optics can be replaced to adjust the beams to the new situation.

How GentleSpace gen4 offers efficient solutions

Energy-efficient and long-lasting



- Reduce energy costs with high luminous efficacy versions
 - Choose UltraEfficient (UE; 189 lm/W) or High-Efficiency (HE; 183 lm/W) configurations
- Wide variety of optics that let you create effective lighting plans for any application, helping to reduce the total installed power
- Long service life of 100,000 hours at L85



Connectivity options

- Optimize energy usage through sensor-enabled motion and daylight harvesting
- Benefit from functionalities of control systems like Interact, such as remote control and monitoring of the lighting system to optimize operational costs
- Choose Interact Ready product versions (SIA or SEIA)

Safety

- Emergency lighting options available
 - Choose ELP3, ELD3 or ELW3 in the product configurator



Built for harsh conditions

The ATEX* Directive

Luminaires often need to illuminate "potentially explosive" environments. Places where flammable substances (gases, vapors, mists or dusts), when mixed with air under atmospheric conditions, could ignite and cause a hazardous explosion.

The European Union's (EU) ATEX Directive 2014/34/EEU* outlines the requirements placed on equipment intended for use in such environments, including GentleSpace gen4. The Directive states that equipment and protective systems must be designed and manufactured to minimize accidental explosions, or their severity should they occur.

In the zone

The ATEX Directive defines six zones, two of which are the focus of Philips ATEX-compliant luminaires:

Zone 2

Where an explosive atmosphere of air mixed with dangerous gas, vapor or mist is not likely to occur during normal operation, or will only persist for a short period.

Zone 22

Where an explosive cloud of combustible dust is not likely to occur during normal operation, or will only persist for a short period.



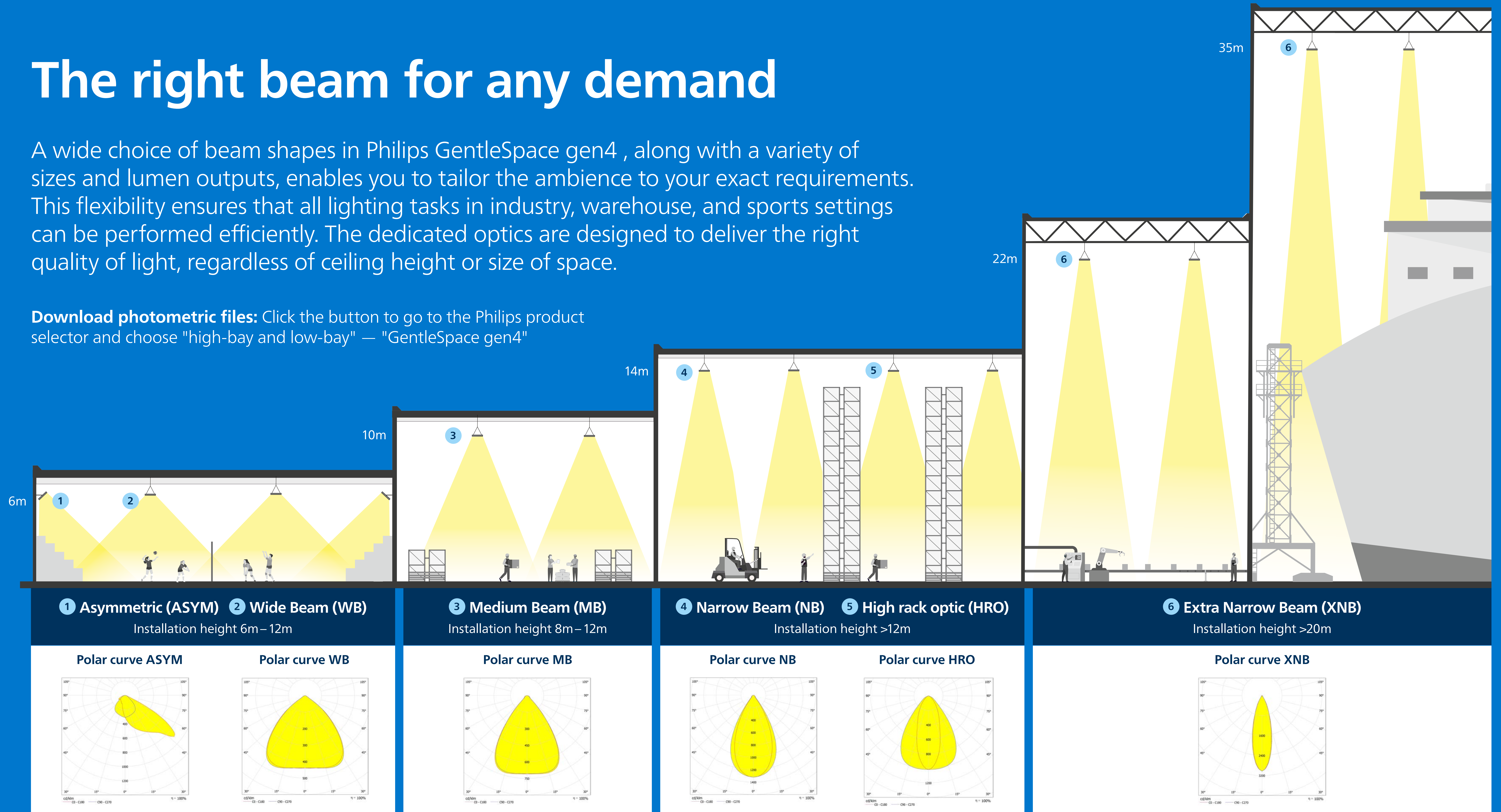
*ATEX is an abbreviation for "ATmosphere EXplosible" and relates to products which are used in potentially explosive atmospheres



The right beam for any demand

A wide choice of beam shapes in Philips GentleSpace gen4 , along with a variety of sizes and lumen outputs, enables you to tailor the ambience to your exact requirements. This flexibility ensures that all lighting tasks in industry, warehouse, and sports settings can be performed efficiently. The dedicated optics are designed to deliver the right quality of light, regardless of ceiling height or size of space.

Download photometric files: Click the button to go to the Philips product selector and choose "high-bay and low-bay" — "GentleSpace gen4"



Product configurator

Family description

BY480P: Standard (small)
BY482P: ATEX 2/22 (small)
BY481P: Standard (large)
BY483P: ATEX 2/22 (large)
BY481X: Interact Ready (large)

Color temperature

830: Warm white (3000K, CRI>80)
840: Neutral white (4000K, CRI>80)
865: Cold white (6500K, CRI>80)
940: Neutral white (4000K, CRI>90)
850: Neutral white (5000K, CRI>80)
(2x35.000 lm)

Driver

PSU: Non-dimmable
DIA: DALI-2 dimmable
PSD: DALI dimmable
SIA: Interact system ready driver
PSED/SEIA: DALI-2 dim or Interact Ready, DC-compatible Emergency lighting
CLO: Constant light output
(available with all drivers except PSU)

Interact Ready options

H4: Interact SNH210 sensor
IA9: Interact wireless antenna

Lumen packages

LED130S: 13,000 lm
LED170S: 17,000 lm
LED200S: 20,000 lm
LED250S: 25,000 lm
LED350S: 35,000 lm
LED490S: 49,000 lm
LED700S: 70,000 lm¹

Housing color

SI: Silver (RAL9006)

Cover

GC: Glass cover, tempered, painted
PC: Polycarbonate cover with frame

Efficacy options

Standard Efficacy: 174 lm/W
HE — High Efficacy: 183 lm/W
UE — UltraEfficient: 189 lm/W

Safety class

Class I (default)
Class II

Emergency lighting

ELP3: Emergency lighting PRO (3h, 850 lm)
ELD3: Emergency lighting DALI (3h, 850 lm)
ELW3: Emergency lighting with Wireless Interface (3h, 850 lm)

Features (coming in 2025)

XT: Extreme (+70°C)
SWP: Swimming pool protection
MSP: Marine salt protection
BP: Ballproof
CHEM: Chemical resistant

Mounting options

SMT: Suspension set

BR: Ceiling-mounted bracket

MBW: Wall-mounted bracket

Wiring options

Wieland embedded in housing

Wieland on cable
(0.5m/1m/ 1.5m/2m)

Free wire cable
(0.5m/1m/ 1.5m/2m)

Optics

NB: Narrow beam
MB: Medium beam
WB: Wide beam
HRO: High-rack optic
XNB: Extra narrow beam
ASYM: Asymmetrical optic



Get all product details in the [Philips e-catalog](#) or configure your own variant with our [online configurator](#)

Tip: With the configuration components listed above you can easily decipher every product code, for example: [BY481P](#) [LED350S/840](#) [PSD](#) [HE](#) [MB](#) [GC](#) [SI](#) [ELP3](#)

Some features are coming soon. Please contact your local Signify representative for more details.

[Return to contents](#)

12



Interact is part of our
lighting for circularity offer

Interact for smart lighting in industry applications

With Interact, it's easier than ever to realize the benefits of smart lighting: higher energy savings, greater safety, well-being and employee productivity – and a big step towards achieving sustainability goals.

General benefits

- Ideal for refurbishments and new buildings
- No additional (DALI) control wires needed
- Perfect for projects of any size
- Quick to install and ready to use in a few clicks

Sustainable

- Sensor-enabled motion and daylight harvesting for instant energy cost savings
- Reduce CO₂ emission and material waste

Smart

- Benefit from remote control and monitoring and reporting capabilities
- Use data to make better informed decisions more quickly

Safe

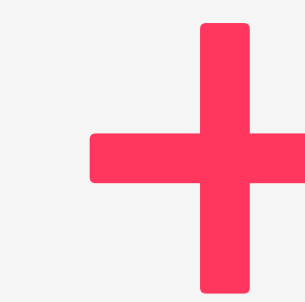
- Easily set the right lighting conditions to ensure a productive and safe working environment
- Get informed about issues to allow for timely and cost-efficient maintenance

i Select SIA (Interact system ready driver) or SEIA (Interact Ready, DC-compatible Emergency lighting) in the product configurator

This is all you need for your smart lighting system



interact
ready.

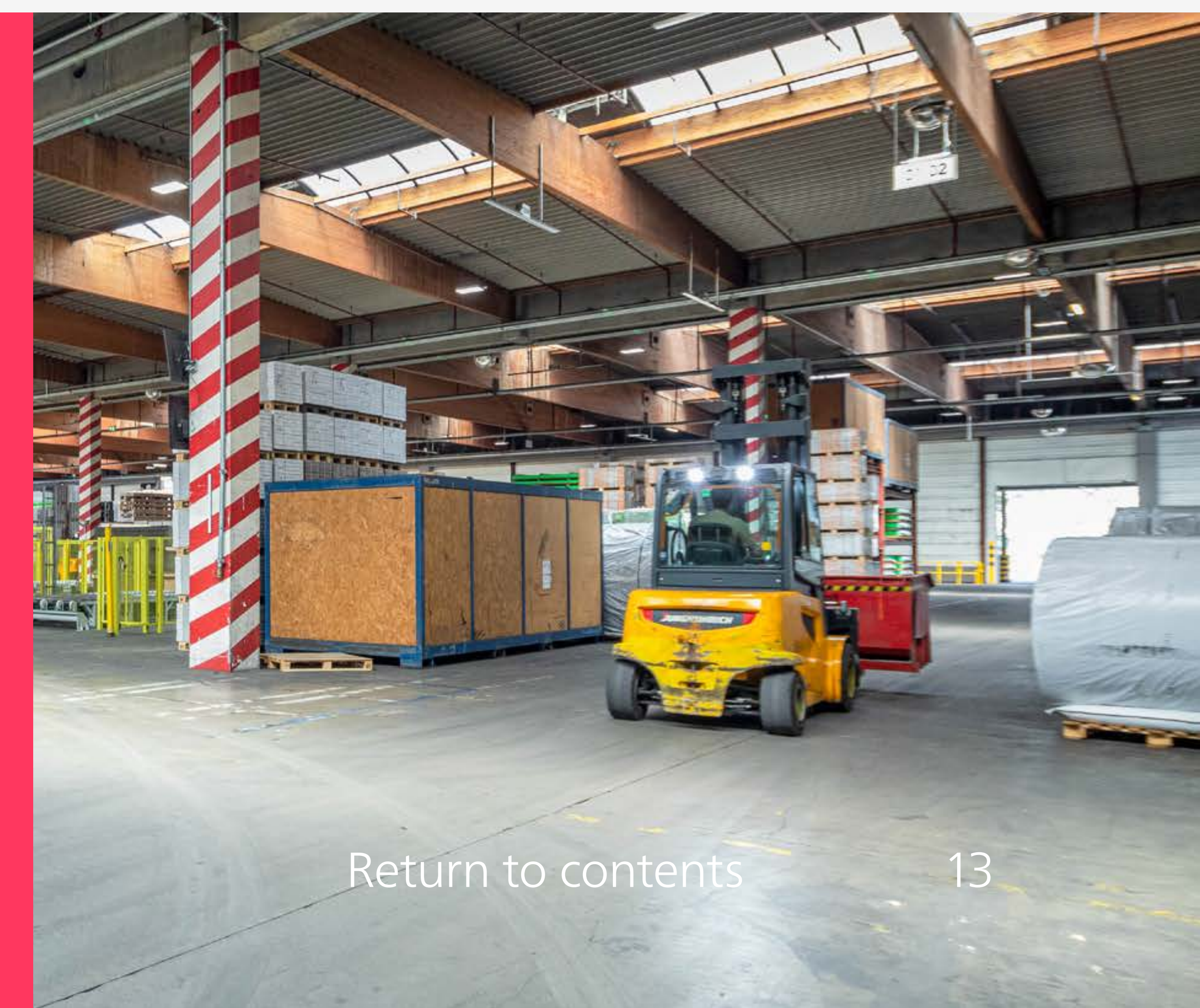


GentleSpace gen4
equipped with SNH210 sensor

Software applications

“We are very pleased to have been able to do this with very little effort. In the end, it's not just Kronospan that profits from this initiative, it's our employees – and the environment.”

Tino Hesse, Managing Director at Kronospan



Designed for a circular economy

Did you know that a staggering 24% of global energy consumption can be traced back to the industry sector?* With 4 billion square meters of manufacturing space worldwide, it's high time for a sustainable transformation.

By choosing our lighting for circularity solutions, you get flexibility in lighting configurations and settings while reducing your carbon footprint to help you reach your sustainability development goals.

Go for optimal sustainability by selecting your renovation path

Are you looking to update your non-LED lighting?

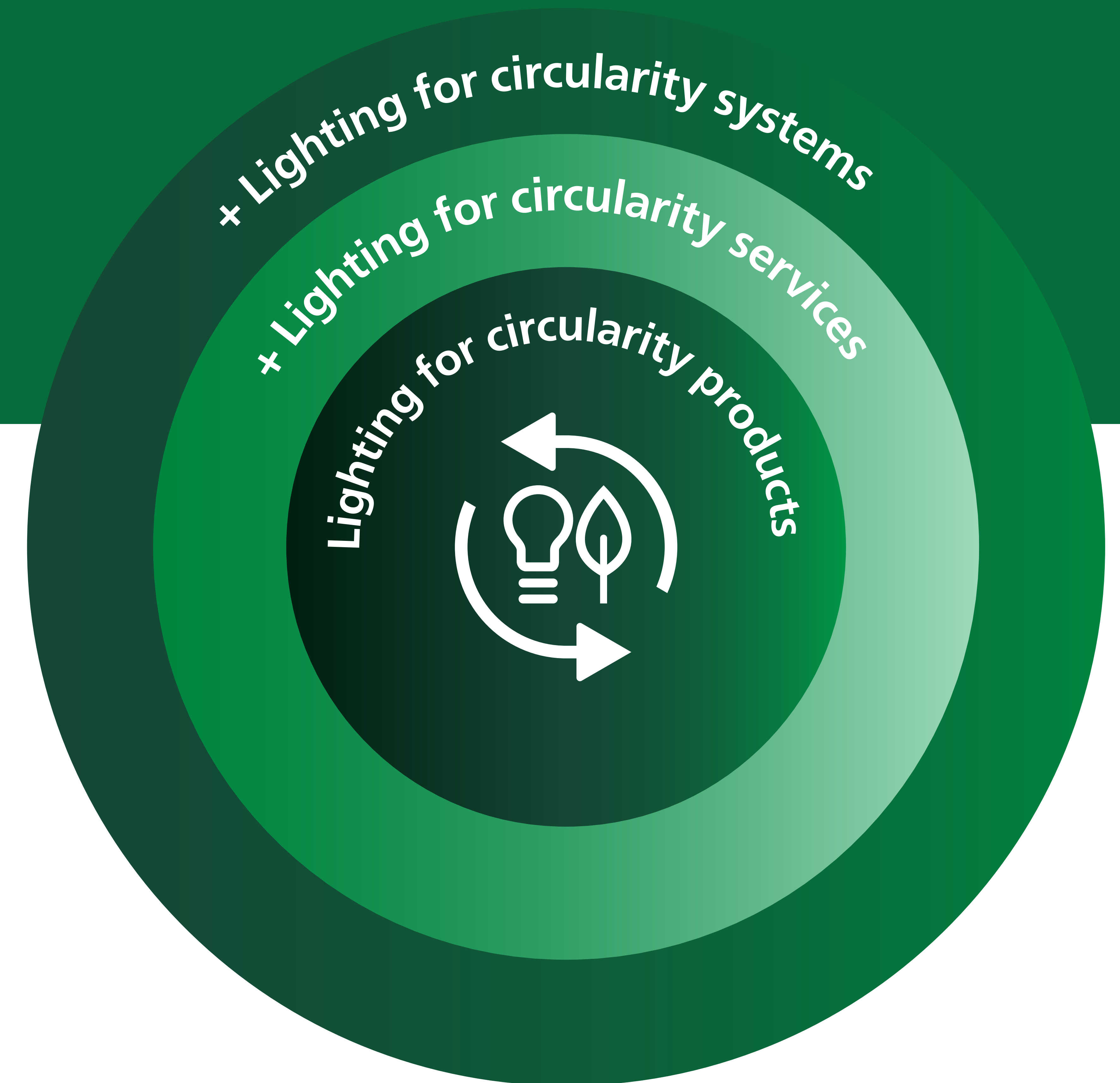
- Choose our lighting for circularity **products**
- Full portfolio of circular economy ready Philips LED luminaires
- Superior efficacy
- Products are recyclable, connectable and serviceable.

Are you planning to update your LED-based infrastructure?

- Discover our remanufacturing or refurbishment **services**
- Gain enhanced luminaire performance, extended lifetimes, and end of contract management

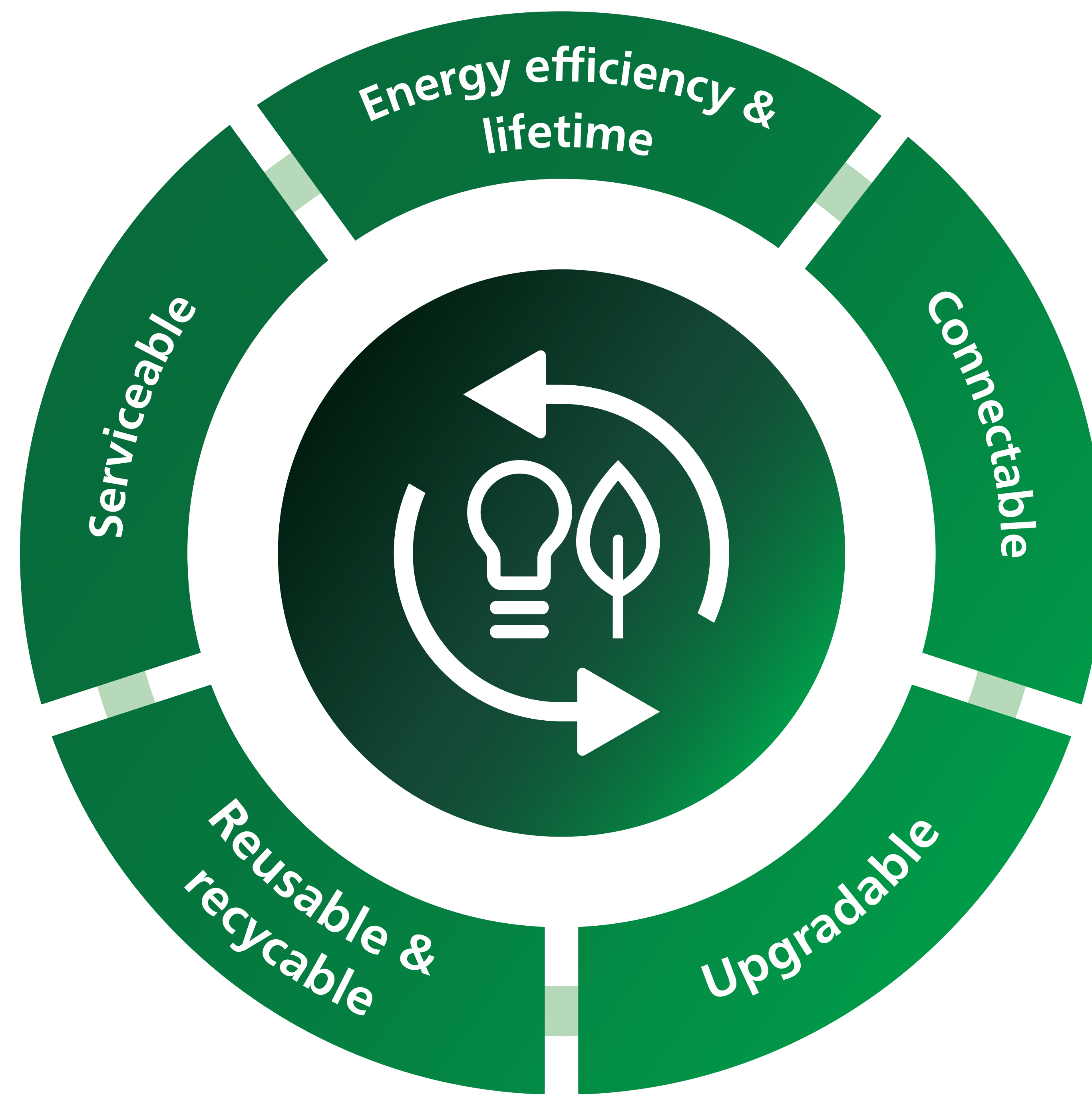
Do you want to unlock the potential of smart lighting?

- Update your infrastructure to smart lighting with our **systems** solutions
- Optimize your energy costs with insights into your energy usage
- Configure lighting behavior
- Remotely monitor your lighting system



* Source: <https://ourworldindata.org/emissions-by-sector>

Philips GentleSpace gen4 meets the five criteria of lighting for circularity



1. Energy efficiency and extended lifetime

- UltraEfficient version available with luminous efficacy of 189 lm/W
 - i** Select UE in the product configurator
- High-eficacy version available with luminous efficacy of 183 lm/W
 - i** Select HE in the product configurator
- Tailor-made optics support optimized lighting design in various applications
- Long lifetime of up to 100,000 hours (L85) reduces the need to replace luminaires or components

2. Connectable

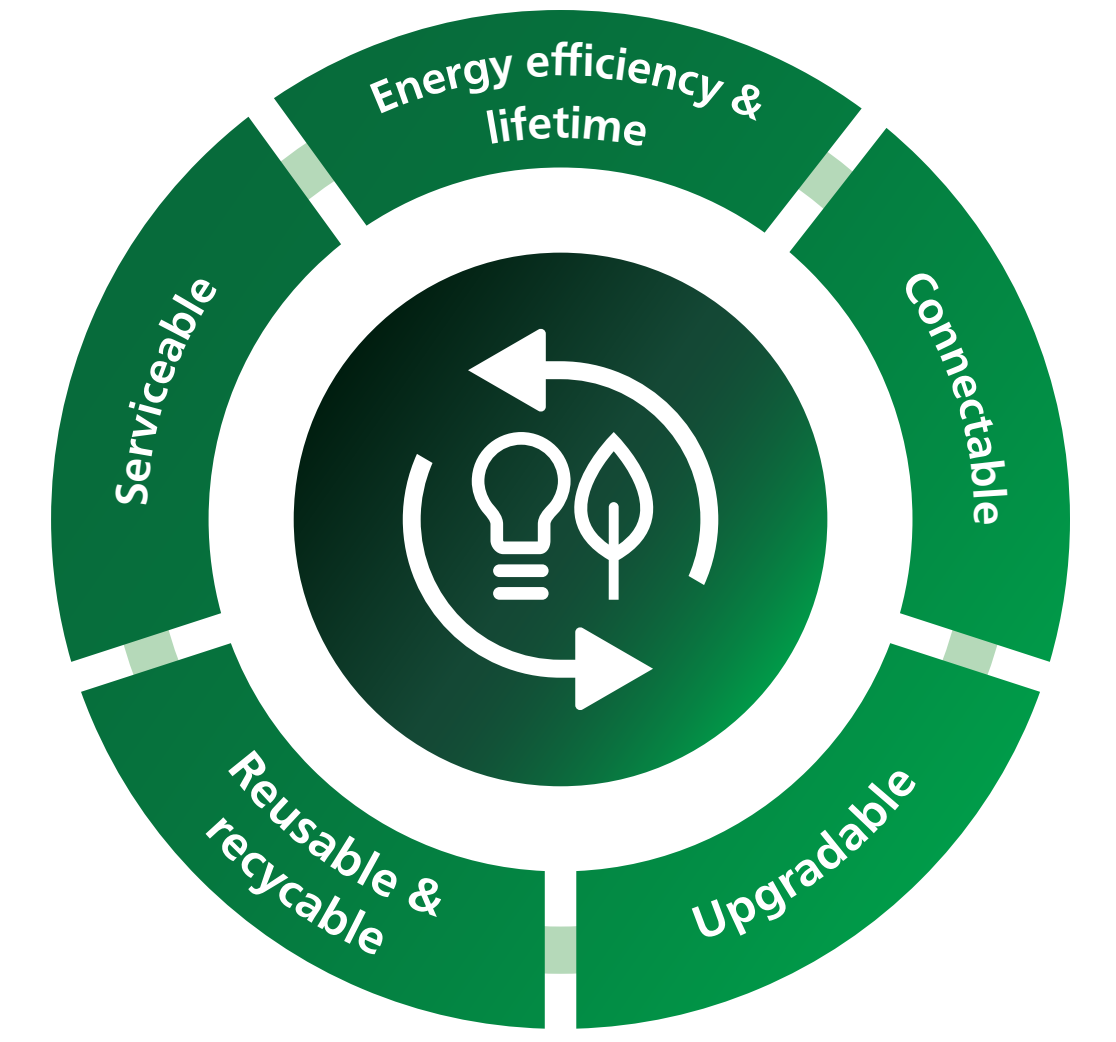
- Serviceable drivers can connect GentleSpace gen4 to smart lighting systems, both wired (e.g. DALI) and wireless (e.g. Interact)
 - i** Choose Interact Ready product versions (SIA or SEIA)
- Integrated sensor, enables additional features such as daylight and occupancy sensing

3. Upgradeable

- Flexible system: Simply add new luminaires, drivers, or sensors to upgrade specific functions or the entire system

Learn more about the other criteria on the next page!

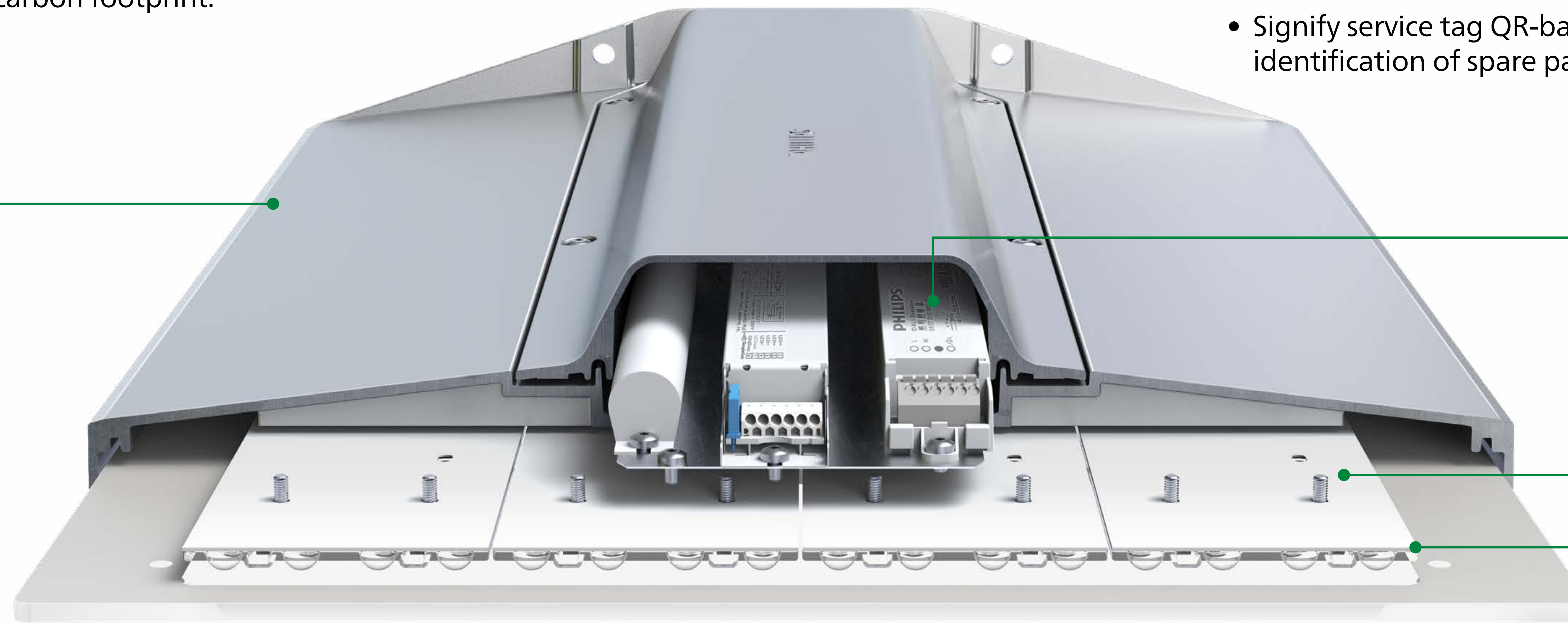
Philips GentleSpace gen4 meets the five criteria of lighting for circularity



4. Reusable and recyclable

Replacing luminaire parts can significantly extend the service life of a GentleSpace installation. The luminaire can also be easily dismantled and broken down into separate parts of the same (pure) material. Those materials can then be recycled, contributing to an overall reduced carbon footprint.

Housing:
Die-cast aluminum
85% from recycled content



Driver
Easily accessible,
even in installation

Screws
instead of glue,
for easier servicing

LED boards

**Optics
and covers**

5. Serviceable

- Ready for another use-cycle: bug, dust and insect-free optical compartment thanks to front cover
- Modular design of components (e.g. change optic for new lighting plan opportunities)
- Signify service tag QR-based identification system for easy identification of spare parts

Minimized footprint: GentleSpace gen4 is 20% smaller and lighter than the previous generation, leading to lower CO₂ emission in transport.



Download the Signify service tag app
and make service easier and faster

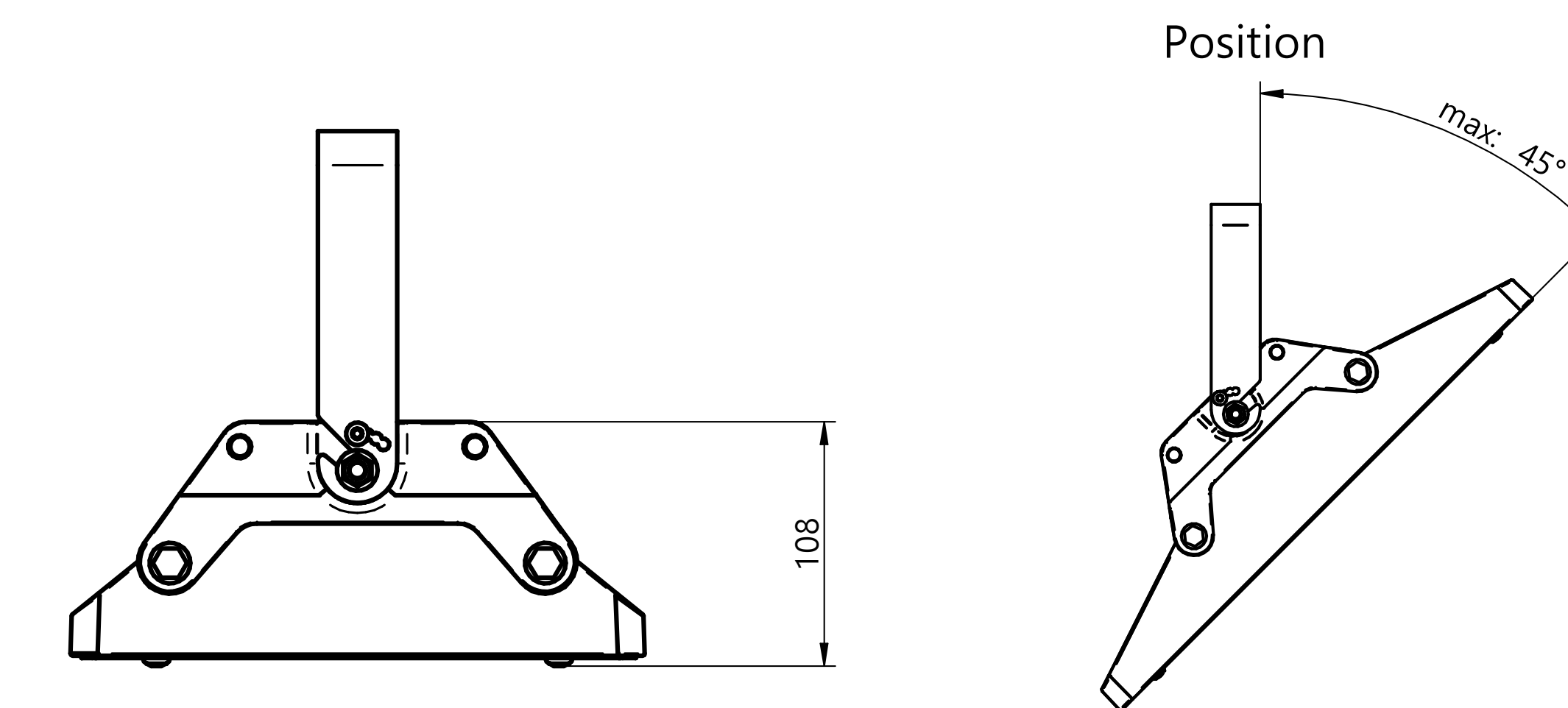
Specifications

Luminous flux	13 000 lm / 17 000 lm / 20 000 lm / 25 000 lm / 35 000 lm / 49 000 lm / 70 000 lm ¹
Efficiency	Standard (174 lm/W), High Efficacy (184 lm/W), Ultra Efficacy (UE, 189lm/W)
Correlated color temperature	3000K / 4000K / 6500K / 5000K ²
Color rendering index	≥80, 90
Lifetime	100,000 hours at L85
Optics	NB / MB / WB / HRO / XNB / ASYM
Cover optics	Glass cover (GC) / Polycarbonate (PC)
UGR	<19 / 20 / 22/ 25 depending on version
Ingress protection	IP65
Impact resistance	IK07 / IK08
Safety class	I, II
Ambient temperature	-30°C to +45°C; -40°C to +70°C (Xtreme)
Mounting	Suspension wires (SMT), ceiling-mounted bracket (BR), wall-mounted bracket (MBW)
Dimmable	Yes
System ready	Interact Ready
Emergency lighting	Yes (ELP3, ELD3, ELW3) ³
Special options	Swimming pool coating (SWP), Ball-proof certified (BP) ³ , Marine Salt protection (MSP), Xtreme (XT), ATEX 2/22
Other	Low flicker and stroboscopic effect values for comfortable ambient lighting

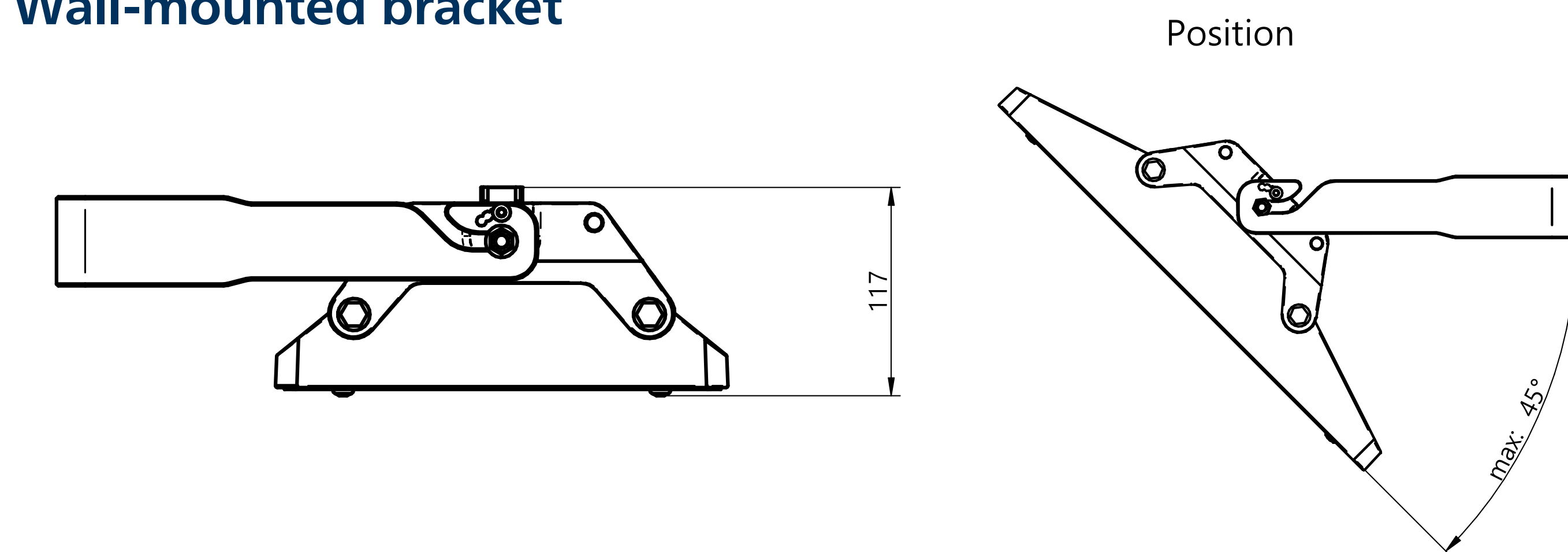
¹ 2 x 35 000 lm version ² Available on request ³ DALI and PRO Emergency Lighting enables self-test function, Emergency Lighting features LFP batteries with up to 6yrs lifetime

Mounting option dimensions

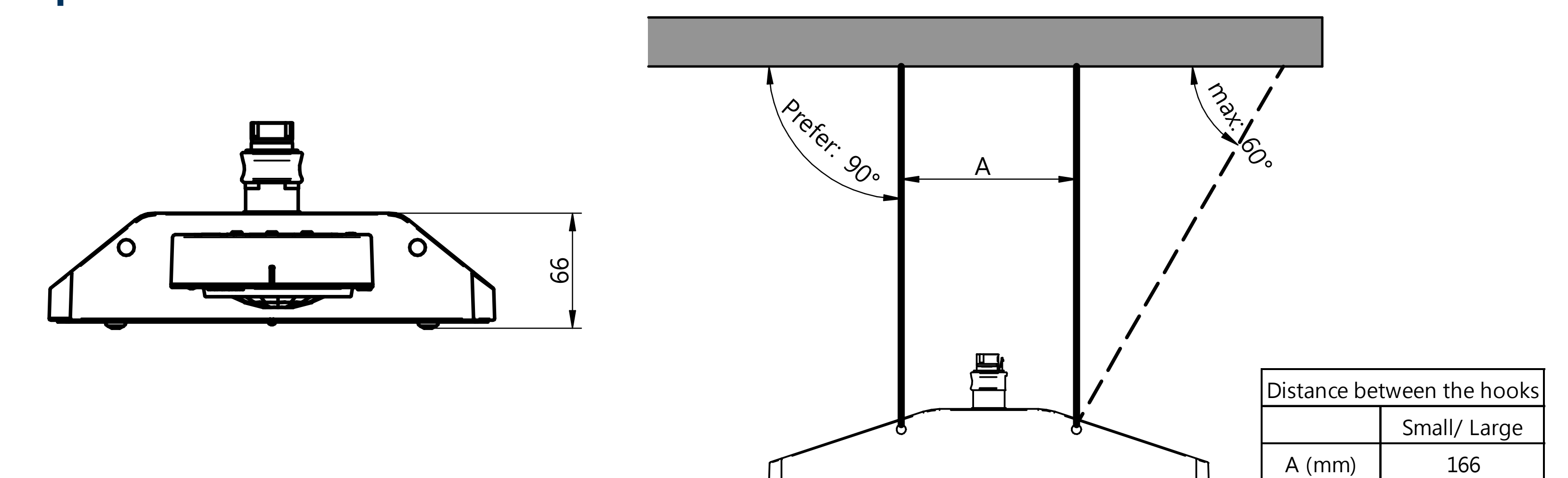
Ceiling-mounted bracket



Wall-mounted bracket

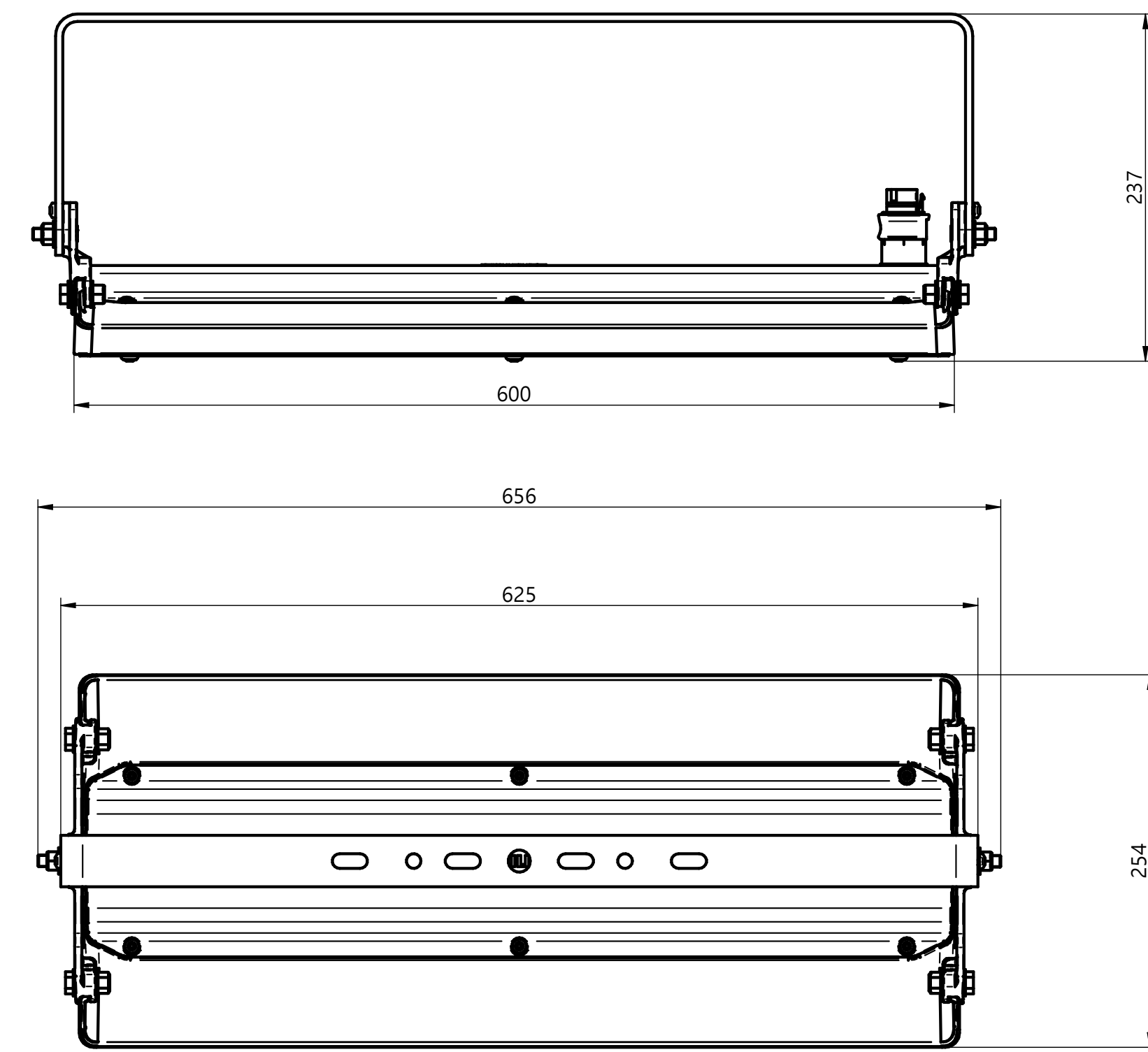


Suspension



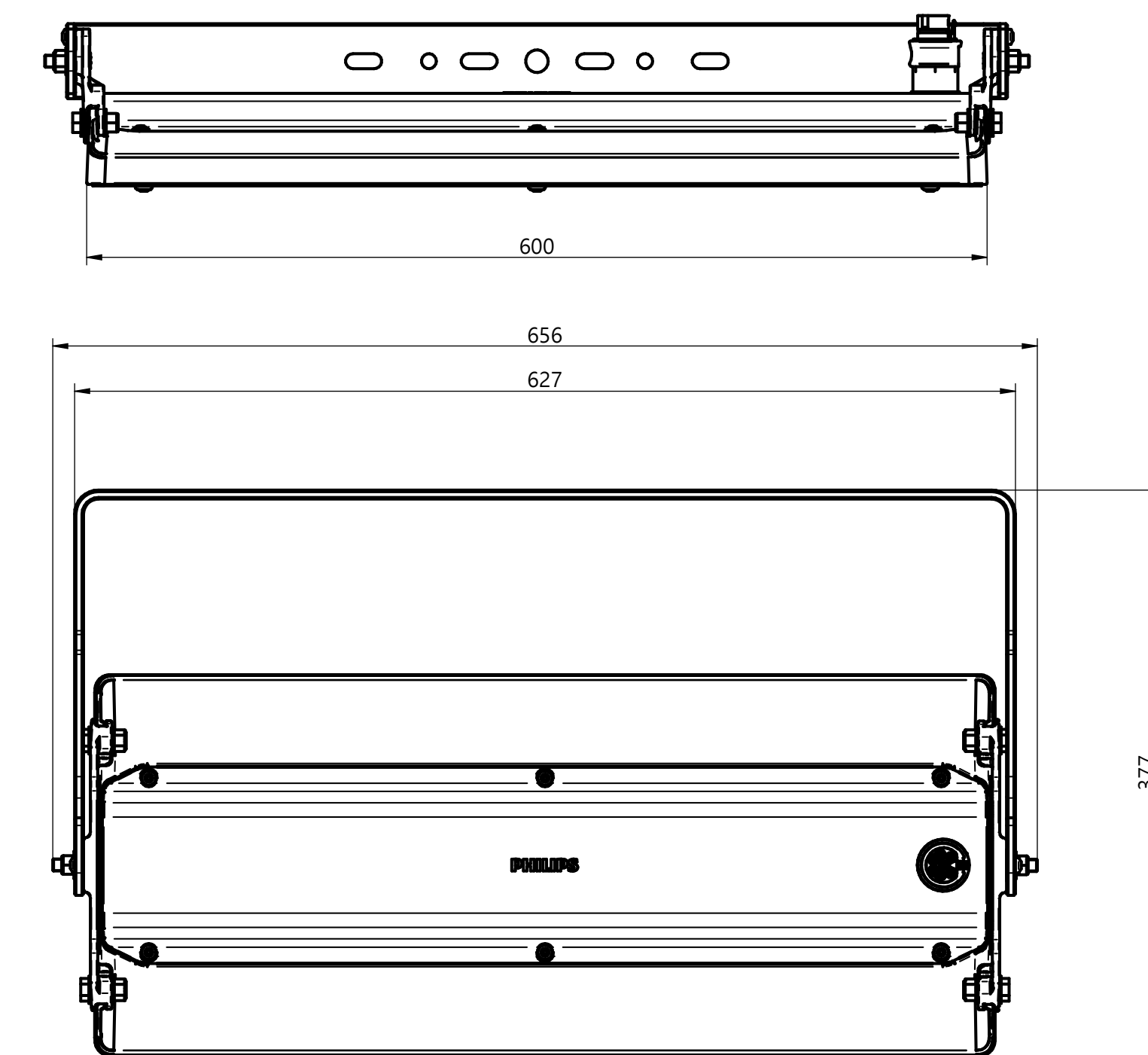
Product dimensions

BY580P, BY582P with bracket



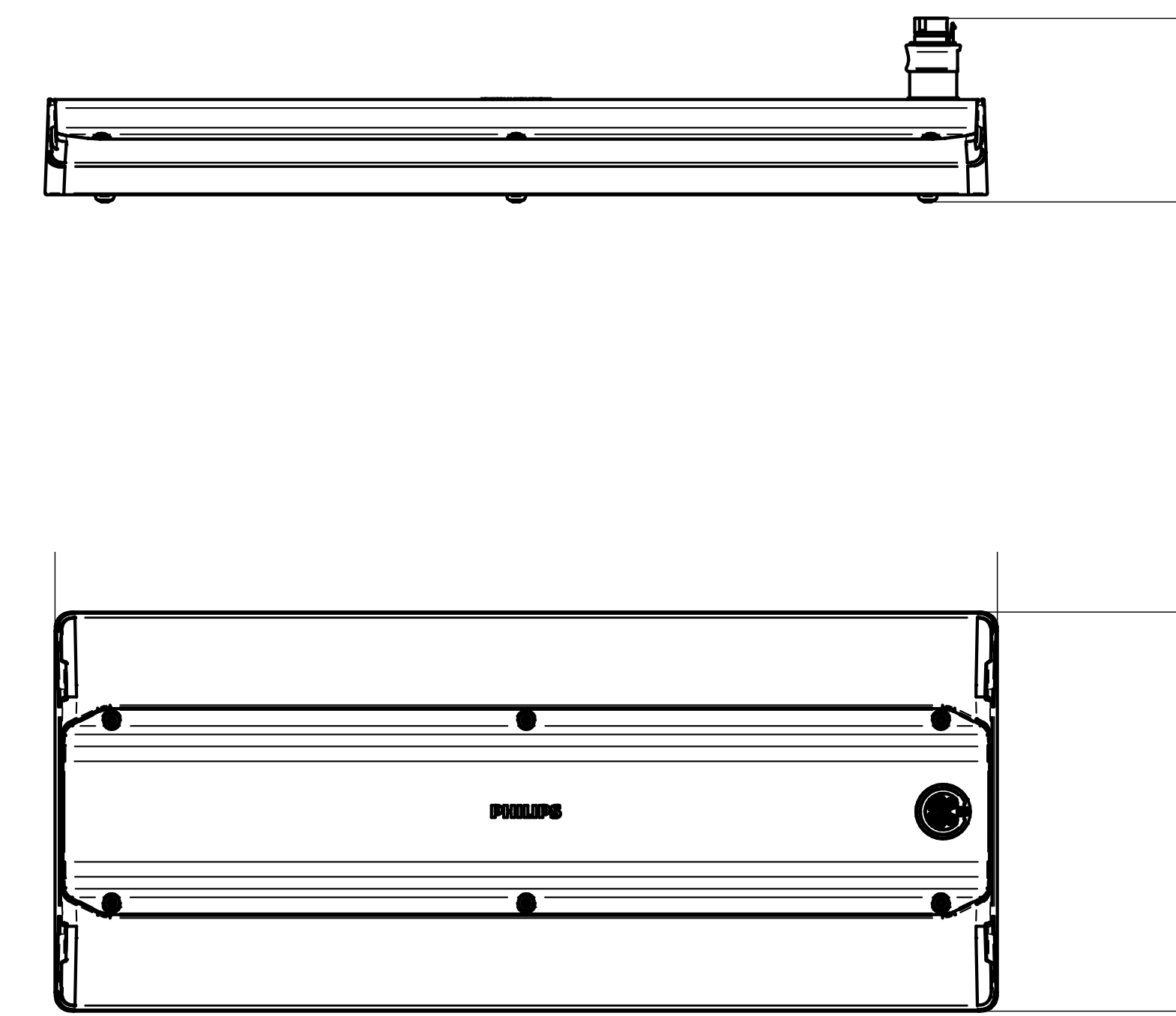
BY580X: total product width incl. sensor is 747 mm

BY580P, BY582P with wallmounted bracket



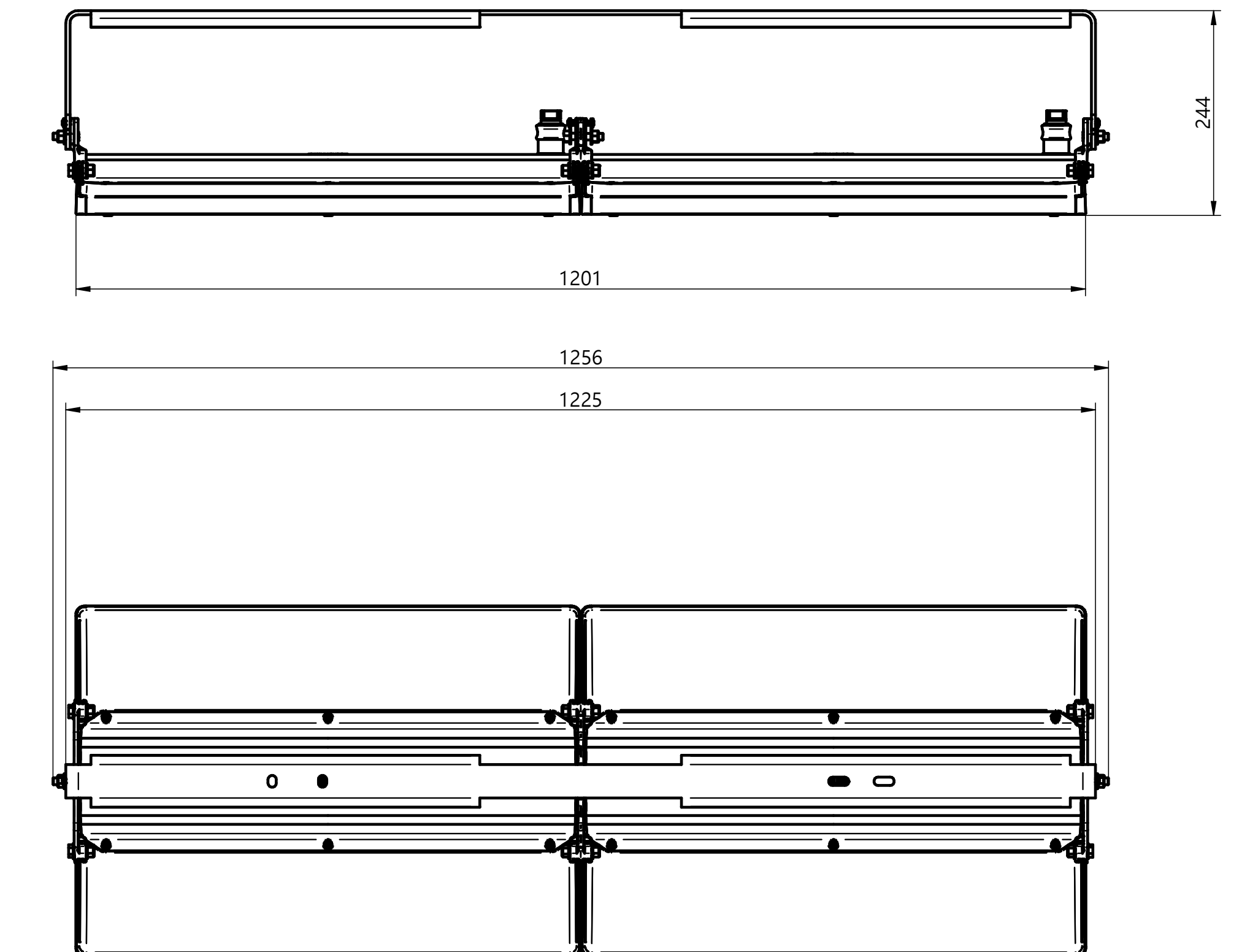
BY580X: total product width incl. sensor is 747 mm

BY580P, BY582P suspended

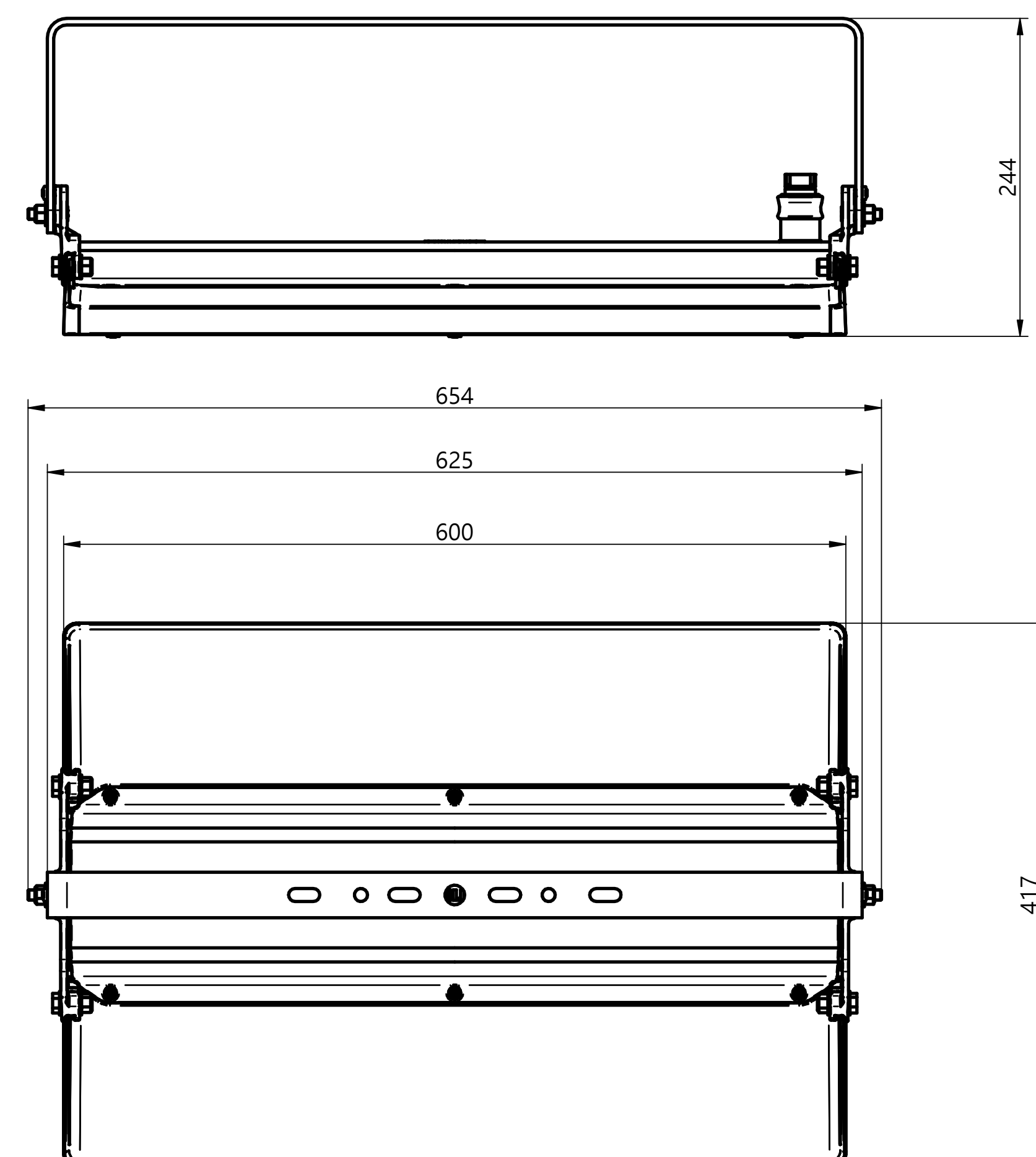


BY580X: total product width incl. sensor is 719 mm

700S with bracket

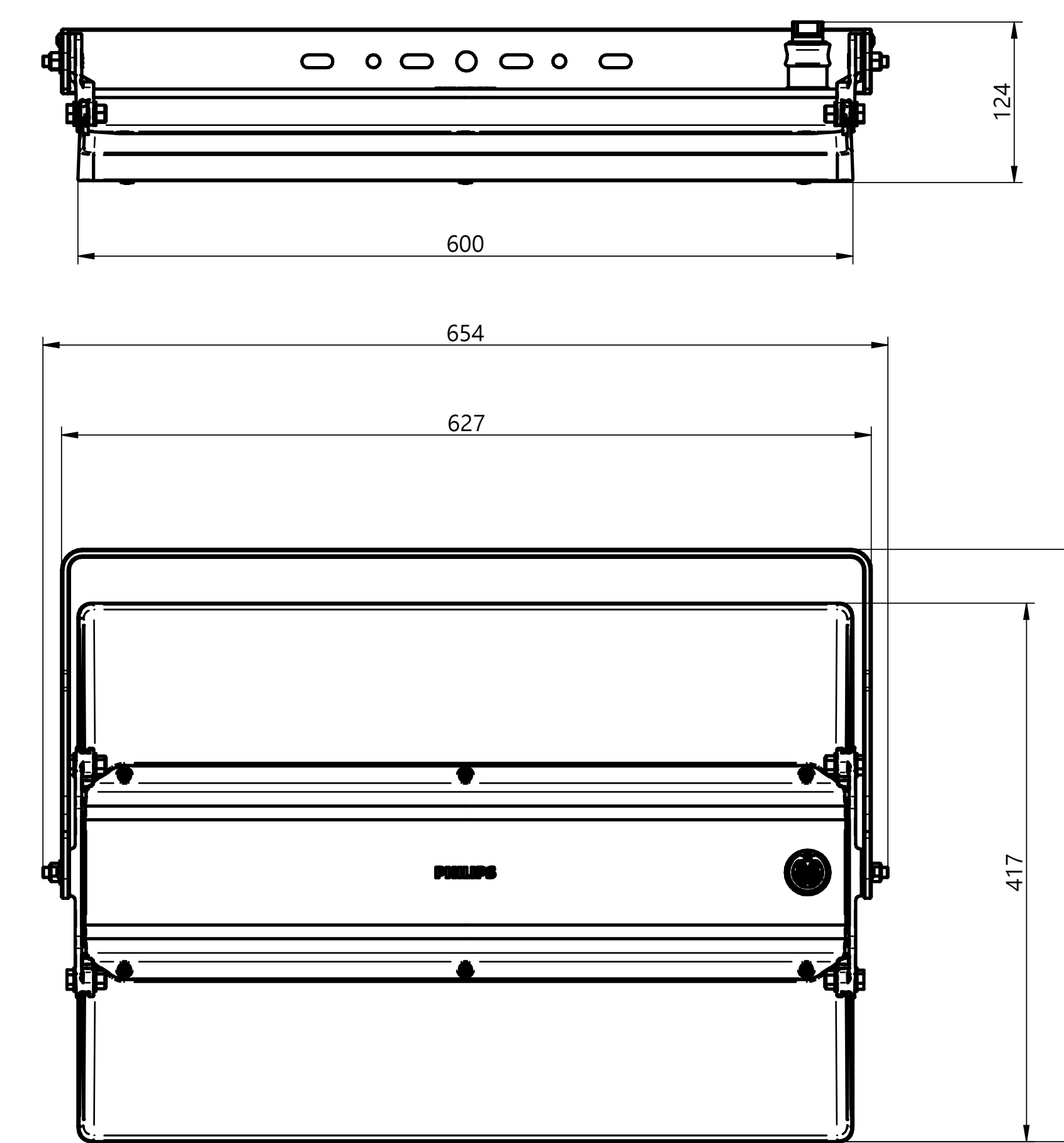


BY581P, BY583P with bracket



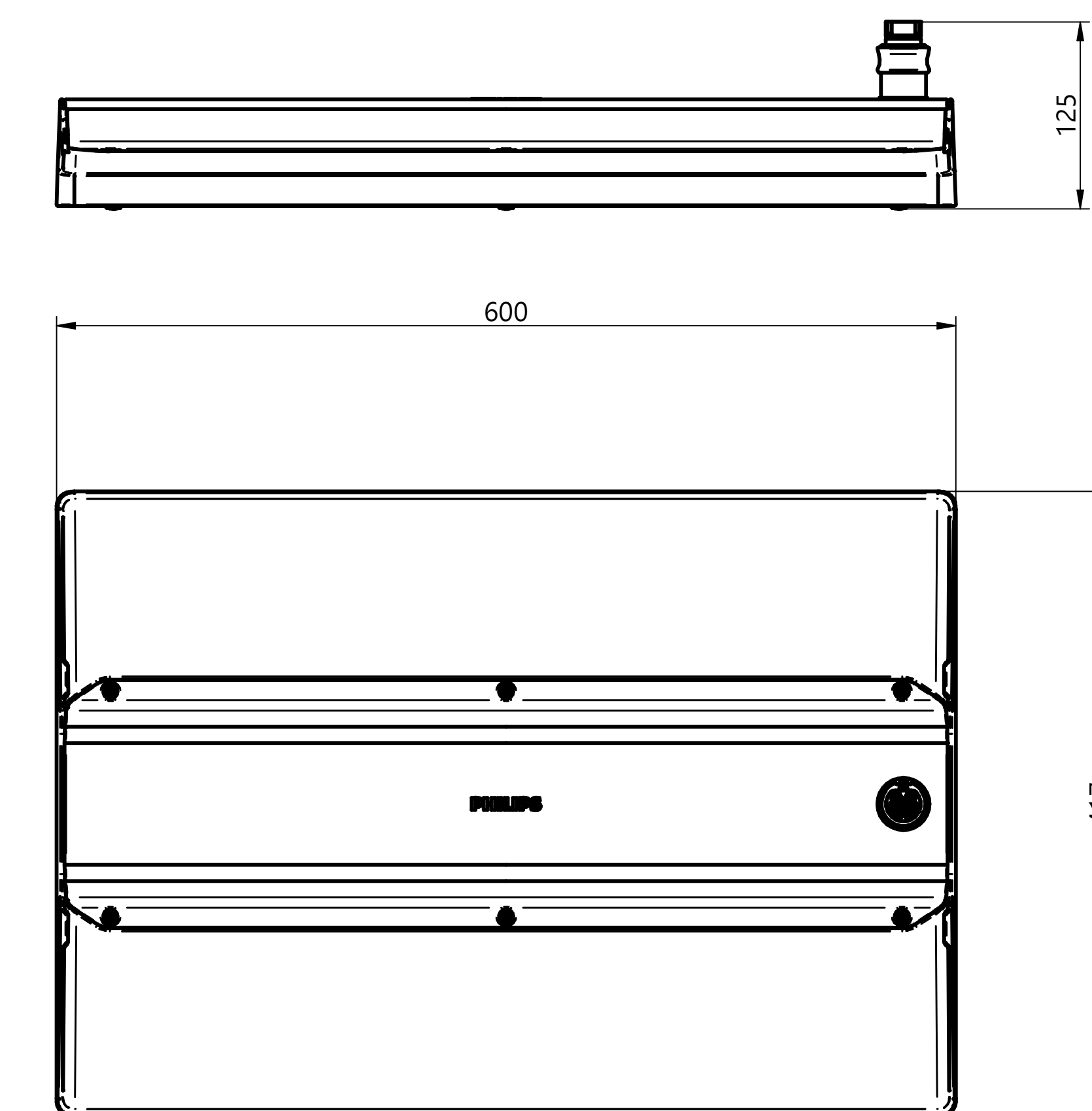
BY581X: total product width incl. sensor is 747 mm

BY581P, BY583P with wallmounted bracket



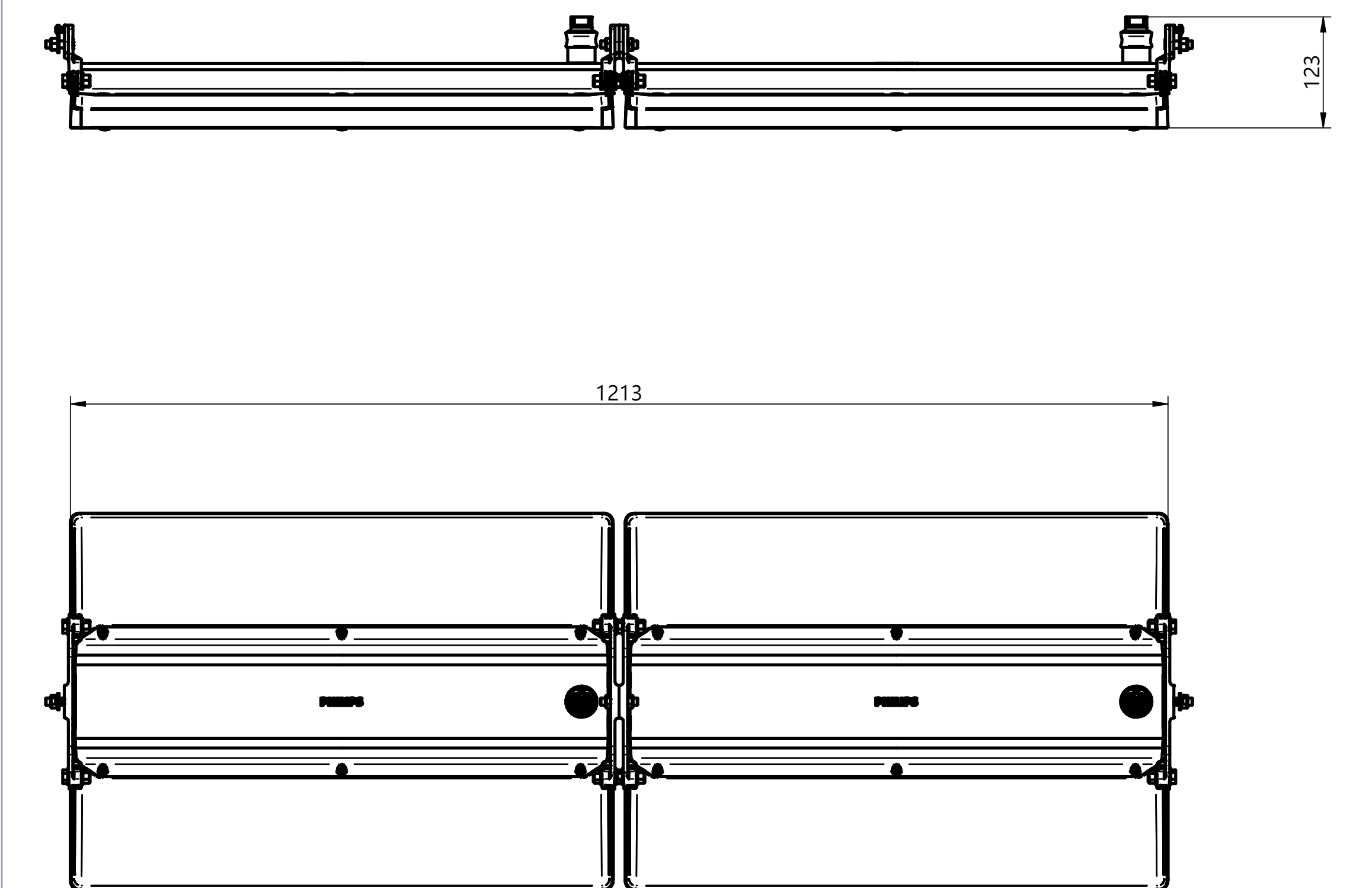
BY581X: total product width incl. sensor is 747 mm

BY581P, BY583P suspended



BY581X: total product width incl. sensor is 720 mm

700S suspended



You and Signify – a reliable partnership

Signify, previously known as Philips Lighting, is the world leader in connected LED lighting systems, software and services. We proudly market the best lighting brands in the world, including Philips and Interact.

Close cooperation before, during and after projects is important to us. Our local service teams make sure you always get the competent support and information you need. You can rely on us for flexible, on-time delivery and product availability.

To help you stay on top of your game the [Signify Lighting Academy](#) offers a comprehensive range of educational resources for you to grow your expertise and get certified.

Our global brands

PHILIPS

The Philips brand stands for quality and energy-efficiency in light. For over 125 years, Philips products have been at the forefront of innovation.

Today Philips is recognized as the leading brand in lighting.

interact

Interact is the brand of our IoT software and platform that manages smart lighting systems and the data that those systems collect.

Easy to install and set up, Interact software can be used in a wide range of application areas, from small offices to entire cities.

Get more info on our products, services and tools:



Signify



Driven by responsible innovation

Signify and Mercedes-AMG PETRONAS F1 Team are driven by a shared passion for technology and the desire to push the boundaries of what is possible.

Our innovations in lighting support the team's ambition to become one of the world's most sustainable in sport, serve the well-being and performance of the team, and deliver powerful experiences for fans, trackside and at home.

Learn more at

Signify is Official Lighting Partner of Mercedes-AMG PETRONAS F1 Team

Signify



Official Lighting Partner
AMG
PETRONAS
FORMULA ONE TEAM



© 2024 Signify Holding. All rights reserved. The information provided herein is subject to change, without notice. Signify does not give any representation or warranty as to the accuracy or completeness of the information included herein and shall not be liable for any action in reliance thereon. The information presented in this document is not intended as any commercial offer and does not form part of any quotation or contract, unless otherwise agreed by Signify.

Philips and the Philips Shield Emblem are registered trademarks of Koninklijke Philips N.V. All other trademarks are owned by Signify Holding or their respective owners.

All technical information can be found at www.philips.com