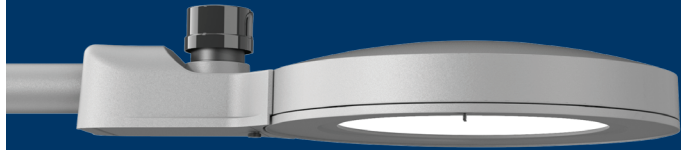


# Lumec RoadScape LED Architectural Roadway

Luminaires boast a sleek and modern design, featuring a pure disc volume that seamlessly blends with a tenon section.



## Modularity

### Custom combinations

- Flat or domed roof
- Mast arm mount (ships attached)
- 7-pin receptacle standard
- HVX 277V - 480V option
- Service Tag
- 10 year limited warranty

## Performance

### LEDgine or ComfortEdge™ light engines

- **LEDgine**  
Distributions: Type 1, 2, 2B, 3, 3W, 4, & 5  
Performance: Up to 33,849lm (191 LPW)
- **ComfortEdge™:**  
Distributions: Type 2, 3, 4, & 5  
Performance: Up to 17,982lm (152 LPW)

## Connectivity

### Connected ready options & controls

- Zhaga certified driver (zD4i)
- DALI driver
- Sensor ready driver (SR)
- 7-pin receptacle (TLRD7)
- Zhaga socket (TLRSR)
- Outdoor multi-sensor (OMS)
- Photo controls (PH8/PHXL)

**LUMEC**  
by  Signify

Roadway

RoadScape

Architectural Roadway





© 2023 Signify Holding. All rights reserved. The information provided herein is subject to change, without notice. Signify does not give any representation or warranty as to the accuracy or completeness of the information included herein and shall not be liable for any action in reliance thereon. The information presented in this document is not intended as any commercial offer and does not form part of any quotation or contract, unless otherwise agreed by Signify.

All trademarks are owned by Signify Holding or their respective owners.

PLU-2310PM 03/24

[www.lumec.com](http://www.lumec.com)

Signify North America Corporation  
400 Crossing Blvd, Suite 600  
Bridgewater, NJ 08807  
Telephone: 800-555-0050

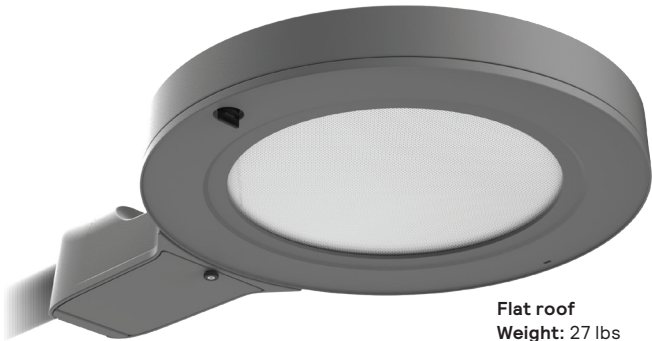
Signify Canada Ltd.  
281 Hillmount Road,  
Markham, ON, Canada L6C 2S3  
Telephone: 800-668-9008

**The intersection  
of style and  
performance**

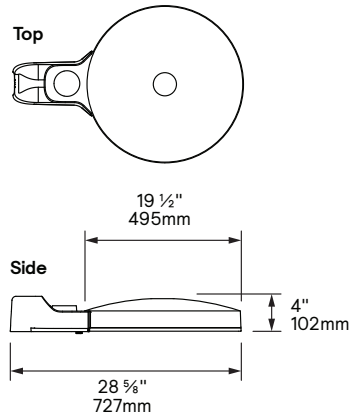
# S-RSCF/S-RSCT RoadScape

LED Architectural Roadway

## Flat roof style



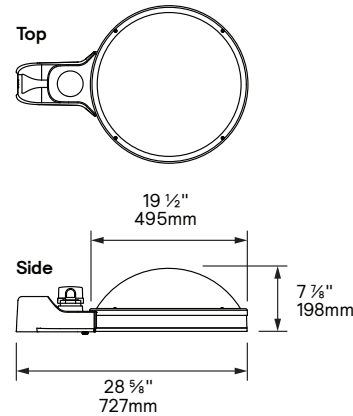
**Flat roof**  
Weight: 27 lbs  
EPA: 0.46 sq. feet



## Dome roof style

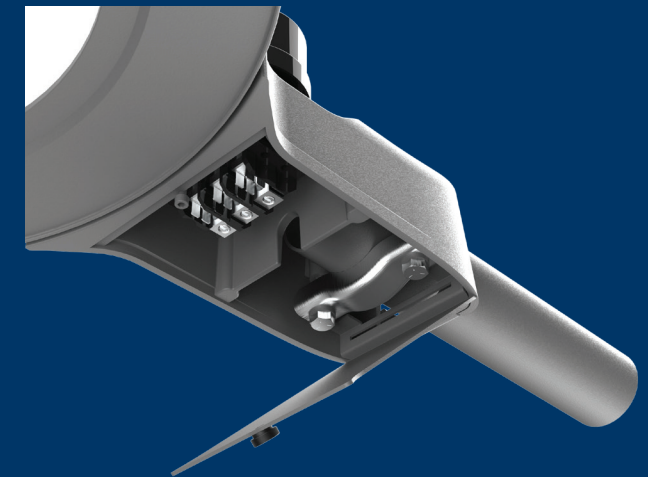


**Dome roof**  
Weight: 30 lbs  
EPA: 0.91 sq. feet



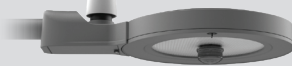
# Lumec RoadScape LED Architectural Roadway

Configurations feature high performance optical technology that provides a highly efficient lighting solution. Connected ready, the RoadScape offers multiple lumen packages and a complete array of optical distributions, ensuring the right fit for any application. This family also includes Service Tag, which enables data delivery and information sharing, while providing assistance throughout the life of the product. Available in both LEDgine and ComfortEdge™ technology.



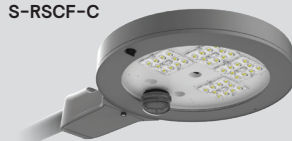
The tenon section features a unique top sweep recess section that not only shares the same identity with other Lumec roadway products but also serves to localize and visually integrate control and photocell. Meanwhile, the bottom section remains flat and free of any obvious technical details, resulting in a harmonious and sleek volume that will elevate the aesthetic of most architectural roadway applications.

**S-RSCF**



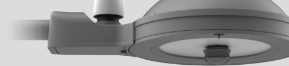
Shown with optional OMS on ComfortEdge™ optics model

**S-RSCF-C**



Shown with optional OMS on LEDgine optics model

**S-RSCT**



Shown with optional OMS on ComfortEdge™ optics model

**S-RSCT-C**



Shown with optional OMS on LEDgine optics model