



Modern industrial design, energy-saving technology

Functional high bay lighting has a new look with Day-Brite / CFI FCY LED high bay luminaires.

You don't need to sacrifice smart looks for affordable, dependable lighting in your functional spaces anymore. This high bay delivers up to 36,000 lumens with efficacies up to 157 LPW. Bring your retail and institutional spaces to life with this cost-effective luminaire built to last with a corrosion-resistant finish.

Performance meets style – no more sacrifice, just great looks, dependability and energy-savings.

DesignLights Consortium qualified
Please see the DLC QPL list for exact catalog numbers (<http://www.designlights.org/QPL>)

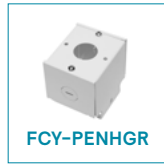
FCY Value high bay

8,000 to 36,000 lumens



Features

- Die formed sheet metal housing and end plates.
- Corrosion resistant gloss white paint after fabrication finish.
- V-hooks and 40" chains supplied (set of 2) for installation.
- Lumen maintenance up to 70% (L70) at 100,000 hrs.
- Luminaire comes standard as field installable sensor ready (sensor sold separately).
- Access plate located on top of housing for easy wiring.
- Frosted acrylic diffuser provides wide light distribution and superior glare control.
- Field CCT selectable for 4000K or 5000K applications (factory default setting is 4000K).
- Complies with FCC Rules and Regulations Part 15 Subpart B Class A.
- Field selectable lumens (factory default setting is highest lumen output).
- Driver surge protection is 6kV L-N and 6kV LN-GND.
- cULus listed for use in damp locations.
- Components are RoHS compliant
- DesignLights Consortium qualified. See the DLC QPL list for exact catalog codes (<http://www.designlights.org/QPL>).
- Five year limited luminaire warranty. Visit www.signify.com/warranties for complete warranty information.



Accessories (order separately)

- **FCY-PENHGR24²** Pendant hanger accessory for FCY0815L and FCY1524L (adds 2.5" to height)
- **FCY-PENHGR36²** Pendant hanger accessory for FCY2436L (adds 2.5" to height)
- **FCY-SBK24²** Surface bracket kit for FCY0815L and FCY1524L (adds 2.5" to height)
- **FCY-SBK36²** Surface bracket kit for FCY2436L (adds 2.5" to height)
- **FCY-WG15³** Wire guard accessory for FCY0815L
- **FCY-WG24³** Wire guard accessory for FCY1524L
- **FCY-WG36³** Wire guard accessory for FCY2436L
- **FCY-SENSOR** Field installed microwave sensor
- **FCY-REMOTE** Remote hand-held programmer for FCY-SENSOR

Ordering guide

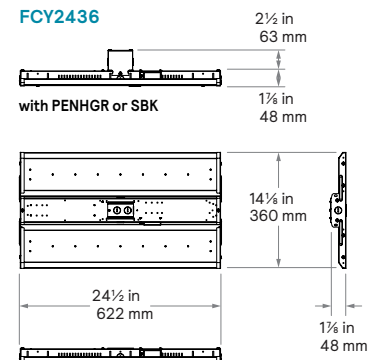
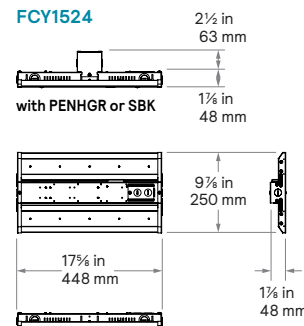
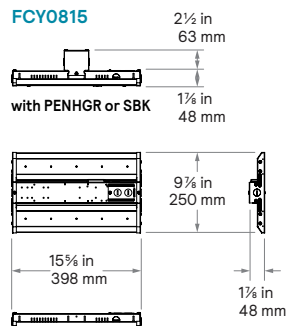
Example: FCY1524L8CST-UNV-DIM

Series	Lumens ¹ (nominal)	Color (CRI/CCT)	Voltage	Driver
FCY		8CST —	—	DIM
FCY Value high bay LED dual select	0815L 8000/12000/15000lm 1524L 15000/18000/24000lm 2436L 24000/30000/36000lm	8CST Color Select 80 CRI 4000/5000K CCT	UNV Universal 120-277V UN3 Universal 120-347V	DIM 0-10v dimming

1. Nominal delivered lumens at 25°C ambient.
2. For areas where luminaires are subject to high impact (gymnasiums, etc), rigid pendant hanging is not suggested. Use hook or cable/chain assembly for mounting in these areas.
3. Wire guards are strongly suggested to be used in areas where luminaires are subject to high impact (gymnasiums, etc). Use provided screws to hold suspending hooks in place when using wire guards.

Microwave Sensor

- Field installed into sensor socket
- Microwave sensor with motion and daylighting
- Maximum mounting height: 49ft
- Default Settings:
Hold Time: 5 seconds
Standby Dim Level: 10%
Standby Time: 0 seconds
Daylighting: Disabled
- Handheld remote programmer used to change settings



Note: Many luminaire components, such as reflectors, lenses, sockets, lampholders, and LEDs are made from various types of plastics which can be adversely affected by airborne contaminants. If sulfur based chemicals, petroleum based products, cleaning solutions, or other contaminants are expected in the intended area of use, consult factory for compatibility.

