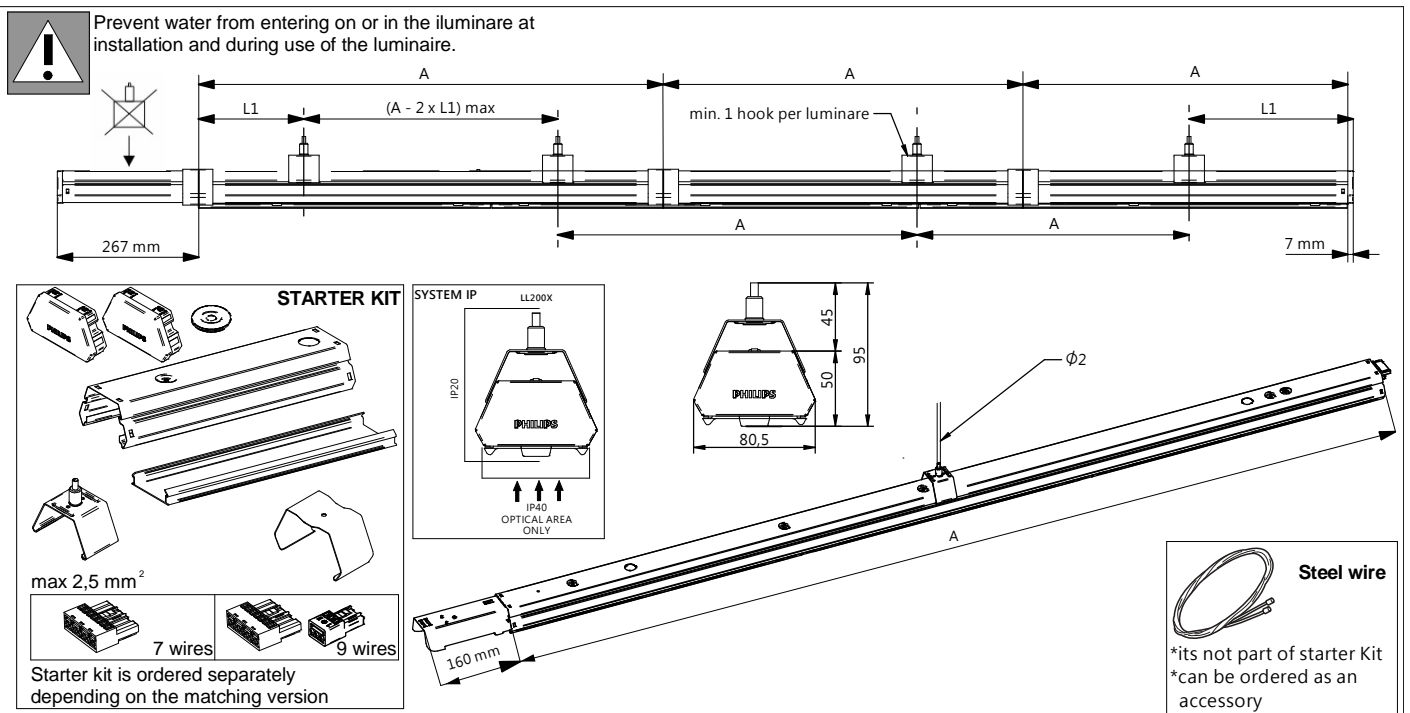
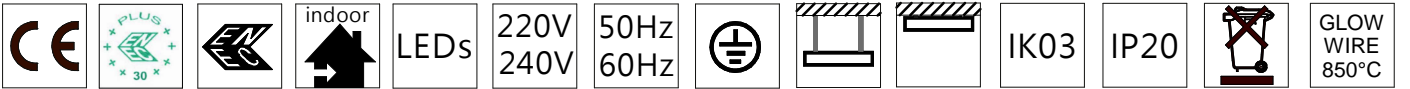
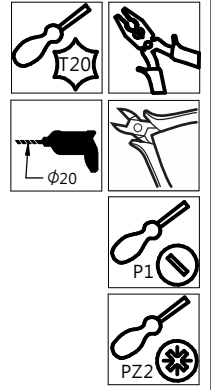
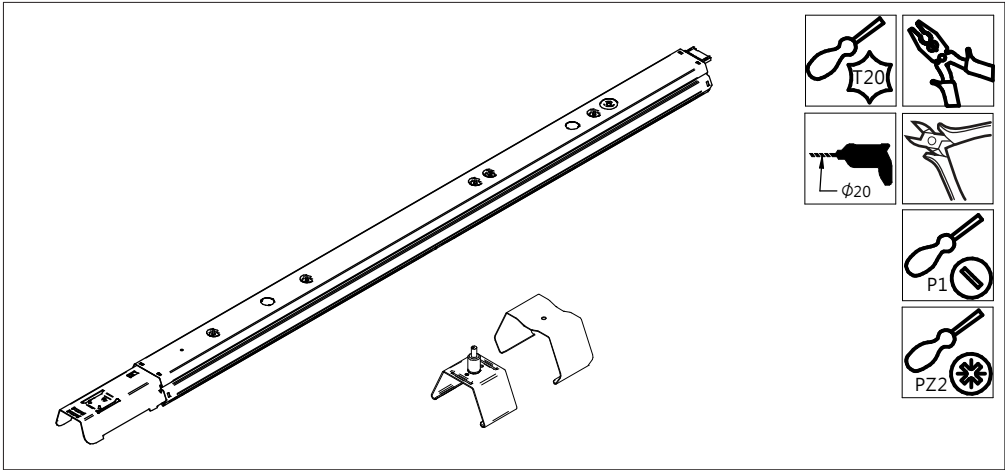


# PHILIPS

## CoreLine Trunking Gen2.5

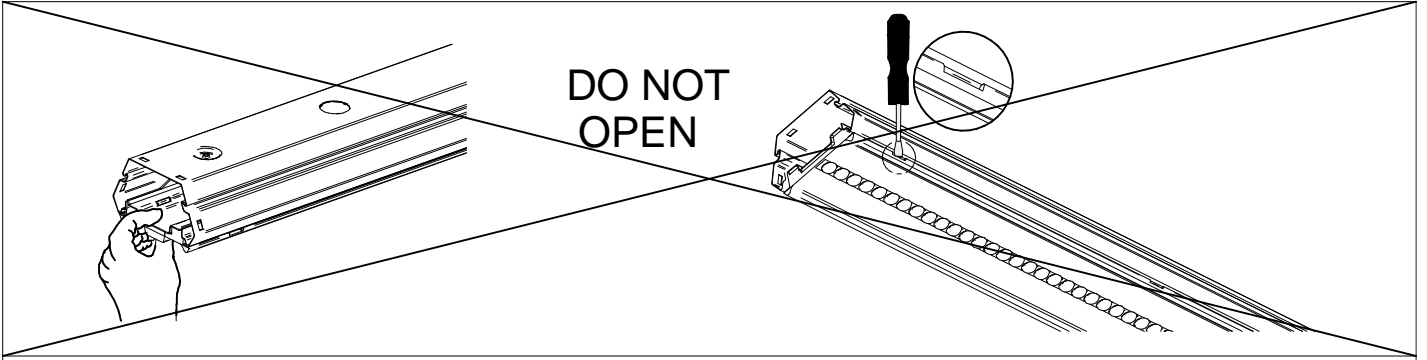
### LL242X 7 EL, LL242X 9 EL



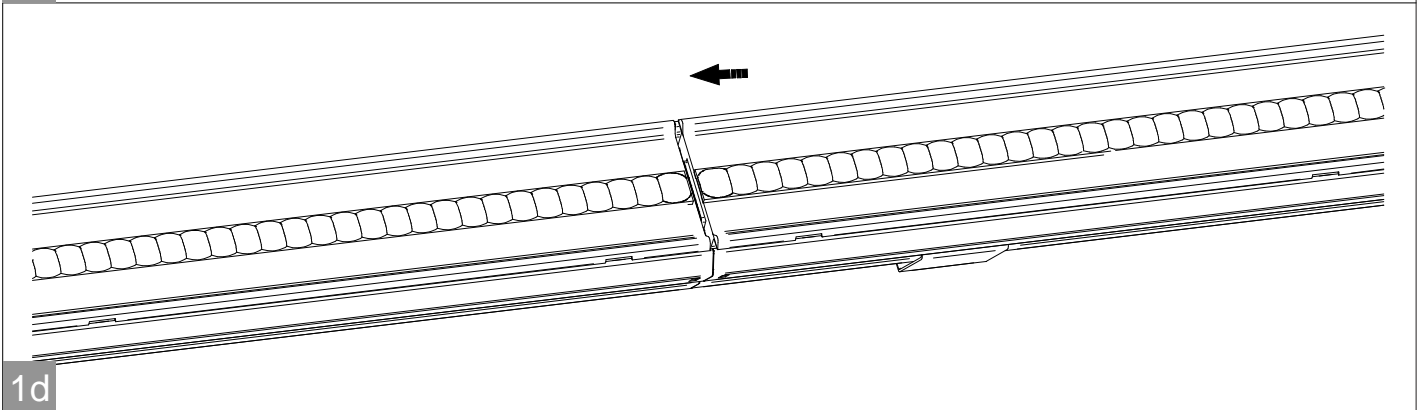
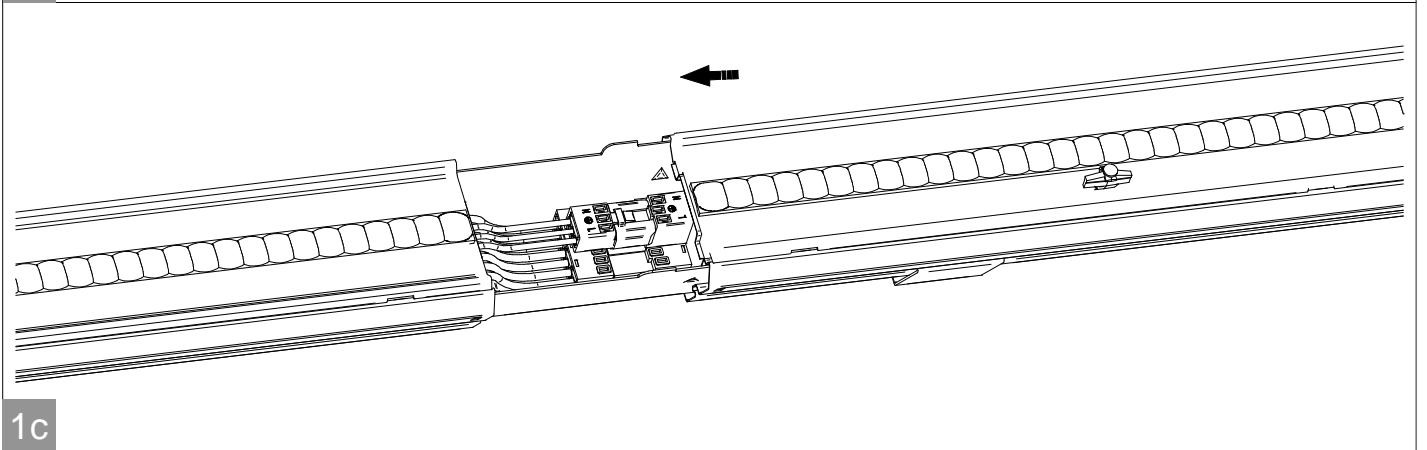
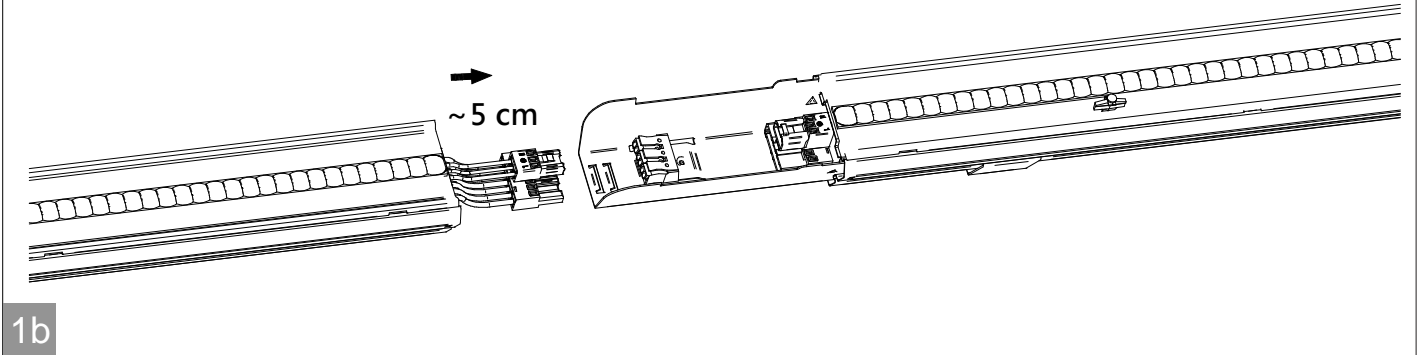
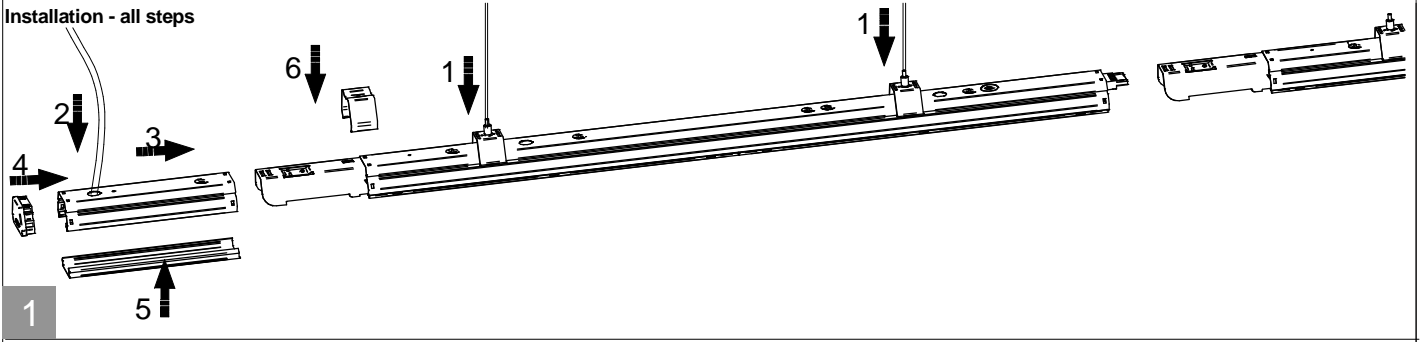
Luminaire type		System Flux [Lm]	Emergency flux [Lm]	Wattage [W]	Temp [°C]	A [mm]	L1 [mm]	kg
LL242X	45S PSU 75W NE	4500	550/3h	30,5	0 - 35	1700	500-800	2,8
	80S PSU 75W NE	8000		54				2,8
	80S PSU 75W UE	8000		53	2,8			
	120S PSU 100W UE	12000		83	0 - 30			2,8
	45S DIA 35W NE	4500		30,5	0 - 35			2,9
	80S DIA 60W NE	8000		54				2,9
	80S DIA 60W UE	8000		52	0 - 30			2,9
	120S DIA 100W UE	12000		83	0 - 30			2,9
	45S SIA 35W NE	4500		30,5	0 - 35			2,9
	80S SIA 60W NE	8000		54				2,9
	80S SIA 60W UE	8000		52	0 - 30			2,9
	120S SIA 100W UE	12000		83	0 - 30			2,9
	45S DIA 60W NE	4500		32,5	0 - 35			2,9
	120S DIA 150W UE	12000		83	0 - 30			3,0



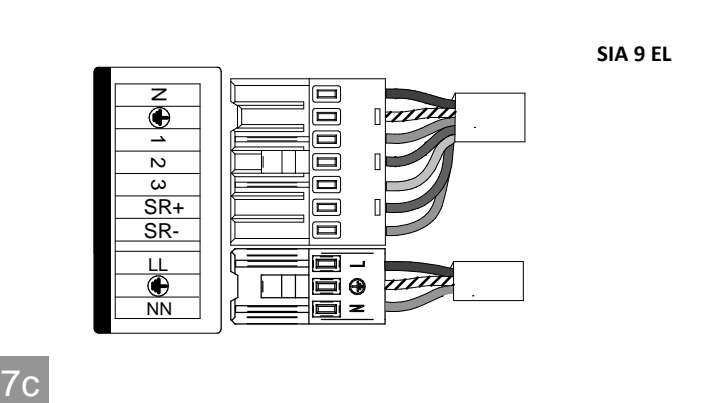
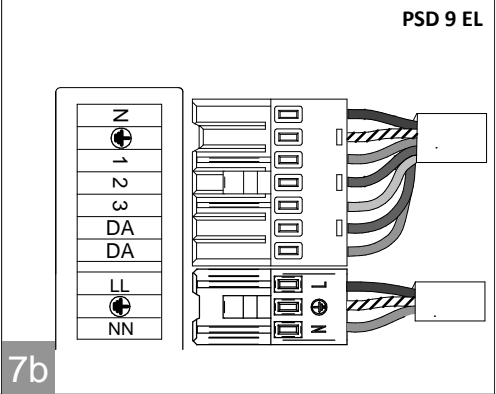
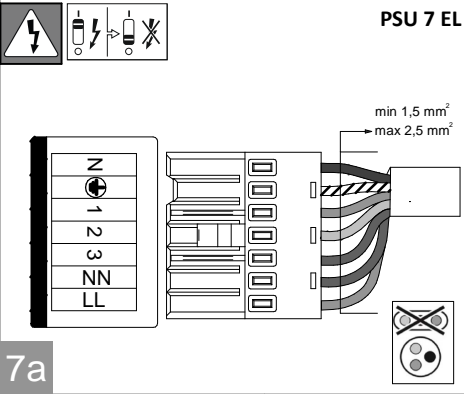
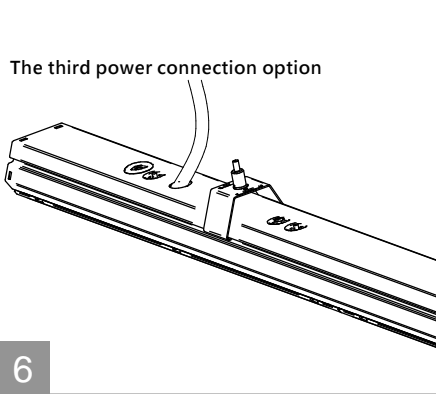
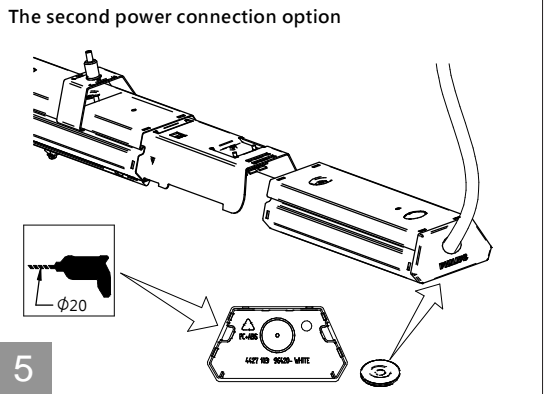
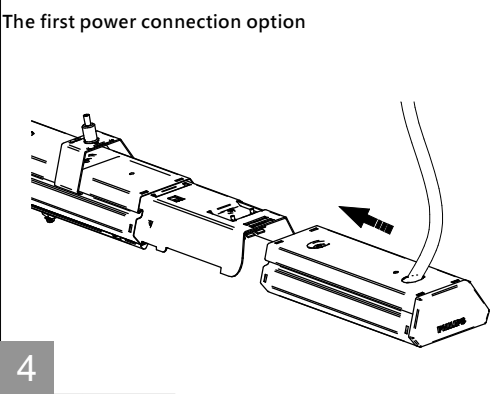
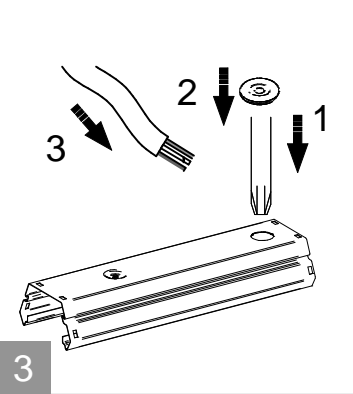
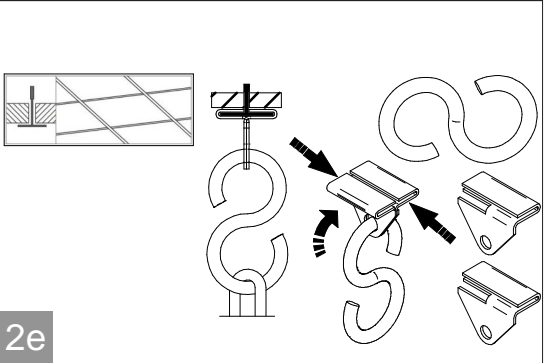
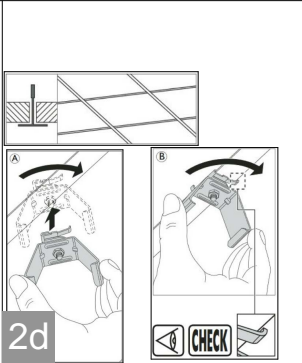
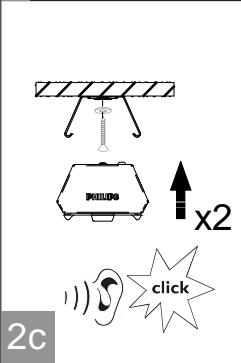
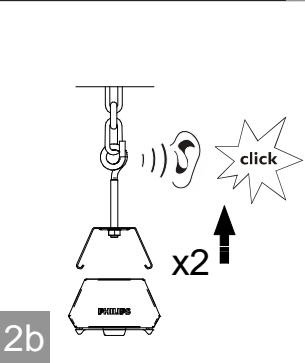
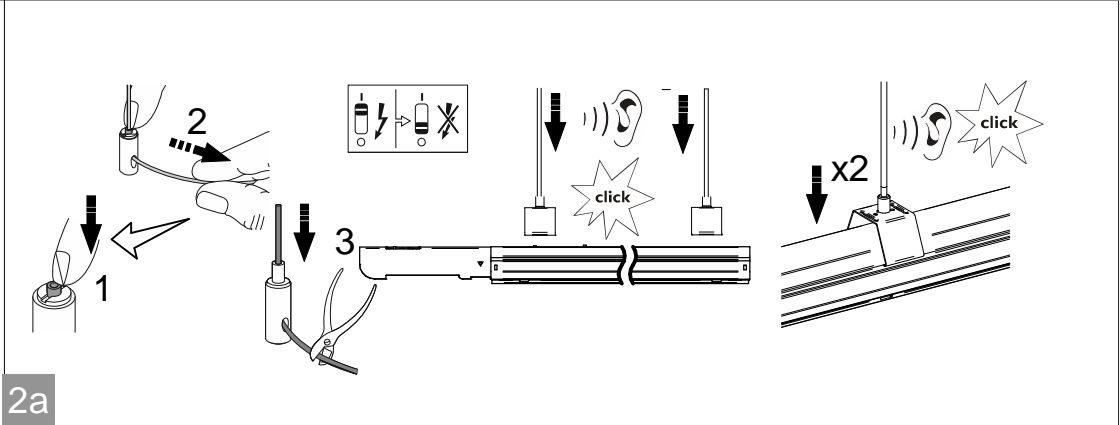
442296619901  
04/ 2025, Signify Holding All rights reserved

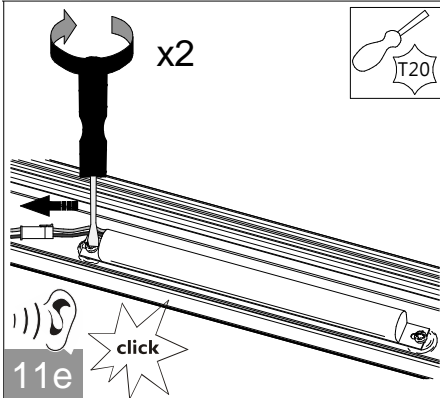
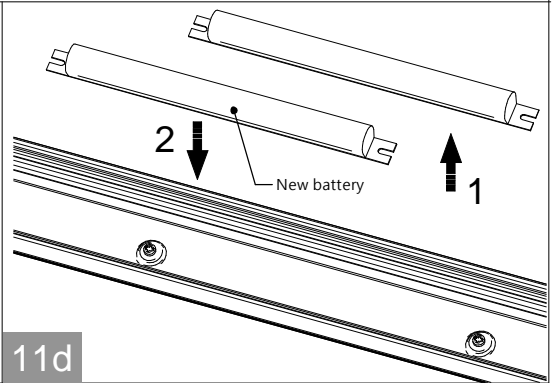
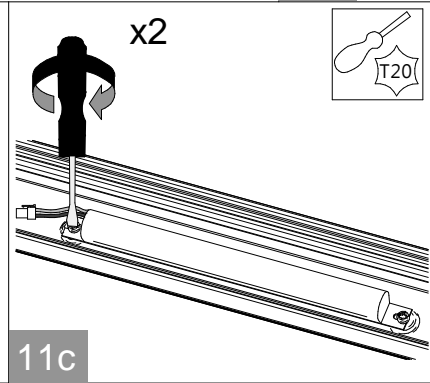
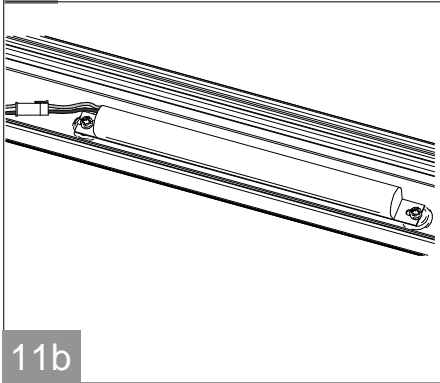
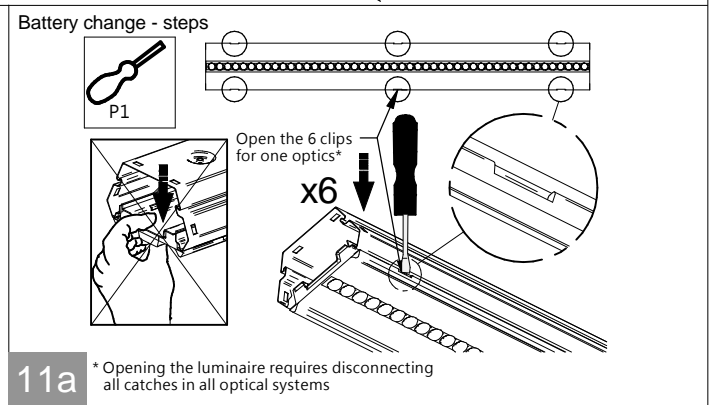
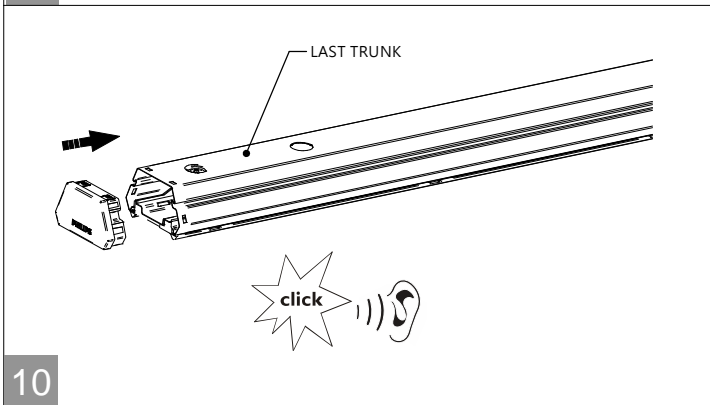
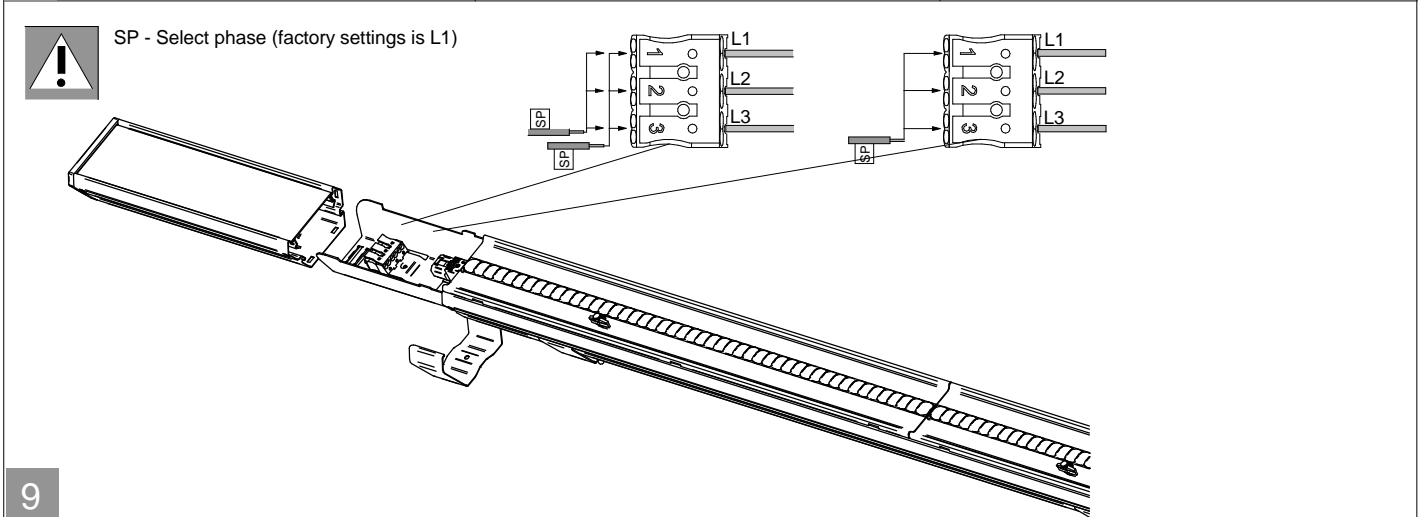
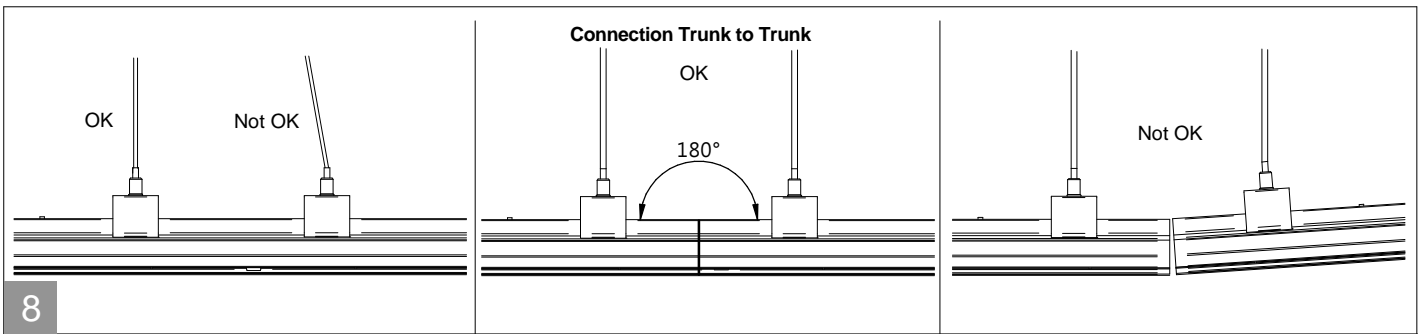


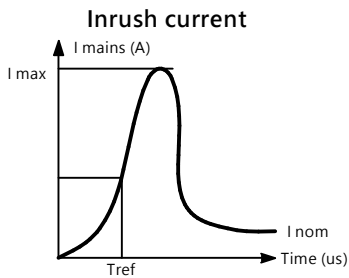
Installation - all steps



Drawing	Accessories
2a	LL200Z MB-SW
2b	LL200Z CB
2c	LL200Z SMB
2d	LL200Z PB
2e	LL200Z SMB-TPM SET







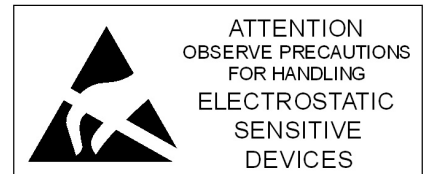
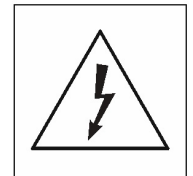
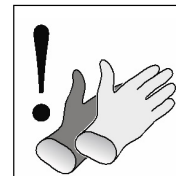
\* Warning! The values on the left are for 1.5 mm thick cables, the values on the right are for 2.5 mm thick cables

TYPE	53S 1xPSU (36W)	30S/45S 1xSIA (35W)	90S 2x SIA (35W)	30S/45S 1xDIA (35W)	90S 2xDIA(35W)	30S/45S/53S/80S 1xDIA (60W)	90S/160S 2xDIA (60W)	53S/80S 1xSIA (60W)	160S 2xSIA (60W)	45S/80S 1xPSU (75W)	90S/160S 2xPSU (75W)	80S/120S 1xPSU (100W)	240S 2xPSU (100W)	80S/90S/120S 1xDIA (100W)	240S 2xDIA (100W)	80S/90S/120S 1xSIA (100W)	240S 2xSIA (100W)	80S/120S/160S 1xDIA (150W)	240S 2xDIA (150W)	160S 1xSIA (150W)
I max [A]	14,0	21,0	42,0	23,1	46,2	25,1	50,2	21,0	42,0	19,0	38,0	22,5	45,0	10,0	20,0	4,5	9,0	5,1	10,2	5,1
Tref [µs]	250	280	280	221	221	214	214	280	280	280	280	30	30	35,9	35,9	1000	1000	760	760	760
cable Ø [mm²]	1.5 / 2.5*																			
MCB B-6A	13/13	8/8	4/4	8/8	4/4	8/8	4/4	8/8	4/4	9/9	4/4	9/9	4/4	7/7	3/3	7/7	3/3	6/6	3/3	4/4
MCB B-10A	20/20	13/13	6/6	13/13	6/6	13/13	6/6	13/13	6/6	15/15	7/7	14/14	7/7	11/11	5/5	11/11	5/5	10/10	5/5	7/7
MCB C-10A	34/34	21/21	10/10	22/22	11/11	21/21	10/10	21/21	10/10	24/24	12/12	23/23	11/11	18/18	9/9	18/18	9/9	16/16	8/8	12/12
MCB B-13A	26/26	17/17	8/8	17/17	8/8	17/17	8/8	17/17	8/8	19/19	9/9	18/18	9/9	14/14	7/7	14/14	7/7	12/12	6/6	9/9
MCB C-13A	40/44	28/28	14/14	29/29	14/14	28/28	14/14	28/28	14/14	32/32	16/16	30/31	15/15	24/24	12/12	24/24	12/12	20/21	10/10	16/16
MCB B-16A	33/33	21/21	10/10	22/22	11/11	21/21	10/10	21/21	10/10	24/24	12/12	23/23	11/11	18/18	9/9	18/18	9/9	16/16	8/8	12/12
MCB C-16A	40/56	35/35	17/17	37/37	18/18	35/35	17/17	35/35	17/17	40/40	20/20	30/39	15/19	30/30	15/15	30/30	15/15	20/27	10/13	20/20

### Maintenance instructions

To assure the lighting quality of this unique LED lighting concept there are a few instructions regarding the maintenance of this LED luminaire:

- Do not touch electronic components!  
Electronic components are under high voltage.  
Electronic components are ESD sensitive.
- During installation or when maintaining the luminaire please use static free gloves to avoid marks on the luminaire.
- To remove dirt and spots use the following:  
Dust: only use microfiber cloths  
Fingerprints, etc.: use a cleaner for synthetic materials with antistatic properties.
- Do not stare into the LED light beam.
- To avoid scratches and dirt on optical parts remove protective foil after installation.
- The luminaire shall be installed by a qualified electrician and wired in accordance with the latest IEE electrical regulations or the national requirements.
- The light source of this luminaire is not replaceable: when the light source reaches its end-of-life whole luminaire shall be replaced.
- Driver insulation: Basic according to IEC 61847-1.



In case a self-contained emergency driver has been added, this is how to set the timers (IEC62034):

- DALI/Wireless version: Check IEC 62386 part 202

- PRO version: The first test is randomized. Then a fixed schedule is maintained, there is no need to set the timers or take special precautions when powering.

- ELW3 type luminaires are delivered in inhibit mode. To enable normal emergency operation, commissioning is needed through Interact Enterprise

Battery Unit (NiMH)	
Manufacturer:	Philips
Unit:	TrustSight 3.6V 3cell 4000mAh battery NiMH
Technology:	NiMH (Nickel Metal Hydride)
Luminous flux:	>500 lm
Capacity:	4000mAh
Power:	3 W
Duration:	3 h
Nominal voltage:	3.6 V

## Battery lifetime

The batteries have a lifetime expectancy of 3 years when maintained properly, see the Trustsight GEN3+ datasheet. Contact your Signify representative in case of any additional questions.

## Automatic battery selection

The TrustSight emergency control unit are equipped with an automatic battery detection feature.

Depending on the technology of the connected battery, the control unit will charge the battery accordingly and will detect the number of cells in the battery pack.

The resulting output power during emergency mode will be set according to the detected amount of battery cells (see datasheet for details).

After installation and power up the control unit will detect the battery and start the automatic detection process.

- During automatic detection, the indicator LED will light up with short green flashes.
- Between minimum 6 and maximum 30 seconds the TrustSight driver will set the battery type (number of cells) and will set the emergency output power accordingly.

After that, the system is defined and fully operational. The battery type definition has influence on the performance during the self-test and on the battery charge method. When the automatic battery detection process is disrupted, e.g. by switching off the permanent mains, the detection process is stopped and the TrustSight emergency control unit will go into emergency mode with the lowest output power. At a next power up, the automatic detection process will start again. The automatic battery detection should be executed with nominally charged batteries.

Deep-discharged batteries will cause an incorrect detection of the battery pack.

All emergency driver-battery pack combinations are available with min. 3 hours emergency duration. The battery should be replaced when it no longer meets the rated duration of operation after the corresponding recharge period.

The battery in this self-contained emergency luminaire a non-user serviceable item. It can only be replaced by the manufacturer or his service agent. It is not allowed to be replaced by the end user.

### LED status indicator

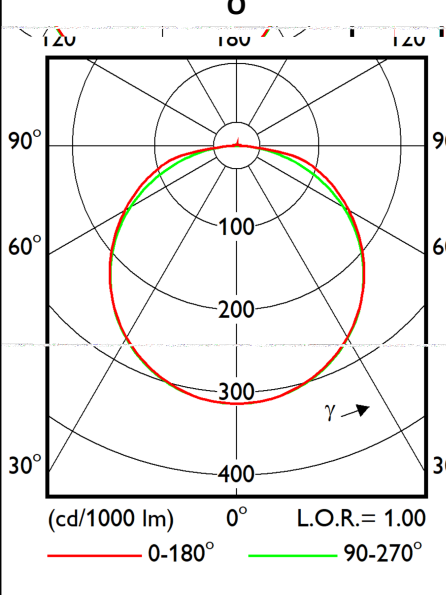
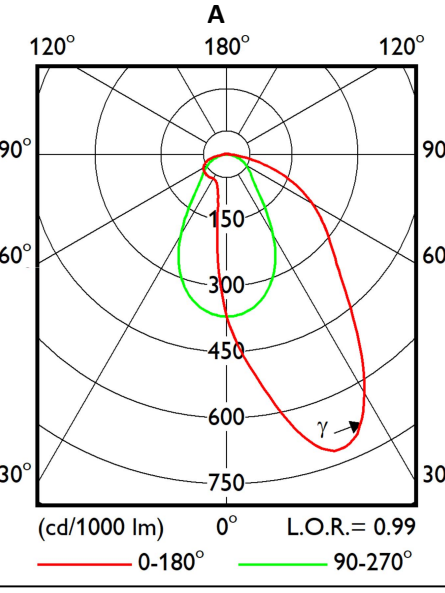
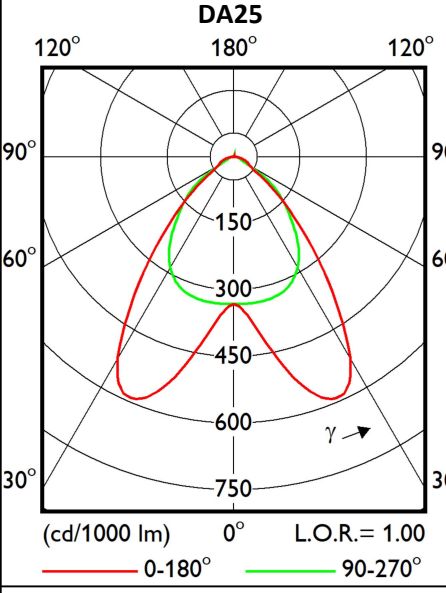
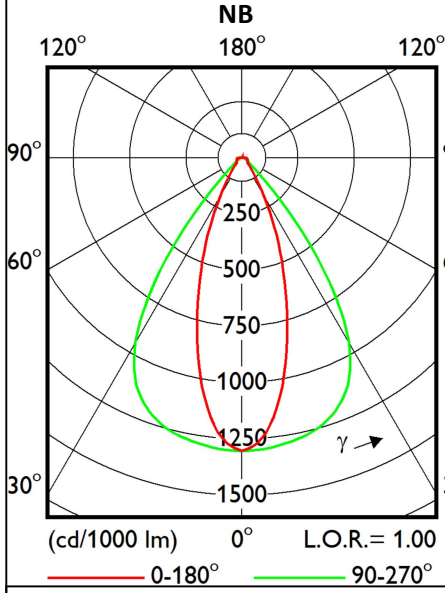
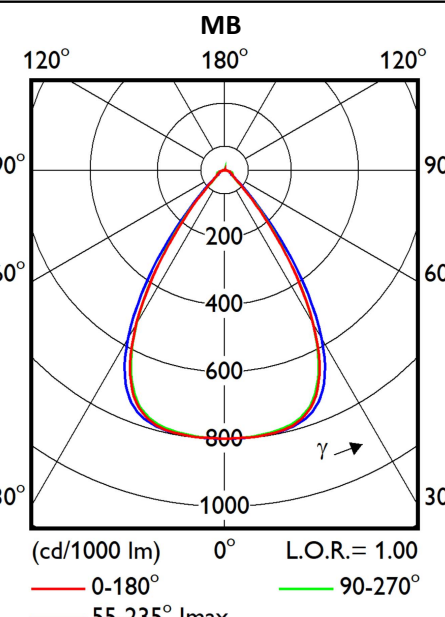
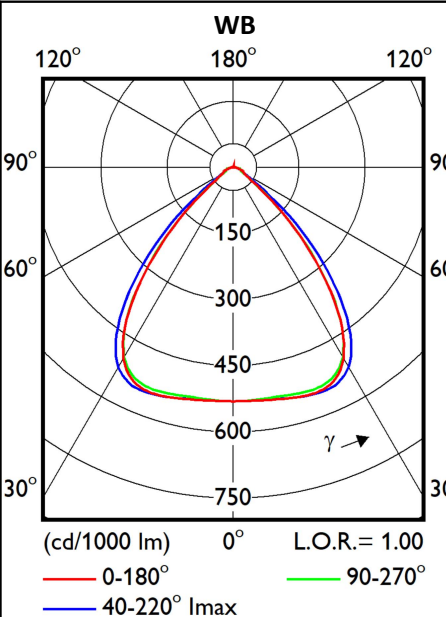
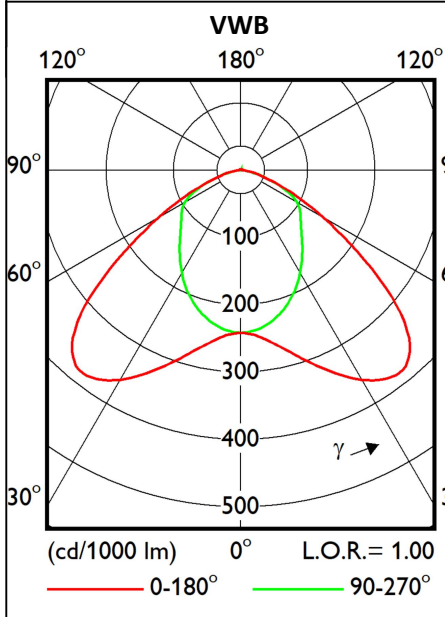
LED indicator (color / flashing)	Error condition	Cause	Solution
Green / no flashing		System OK, battery fully charged	
Off		Mains off, EM mode, Rest mode, test in progress	
Green / slow (0.25s on, 1.25s off)		System OK, battery is charging	
Green / fast (0.25s on, 0.25s off)		System OK, recently tested (< 5 days, Australia mode only)	
Red / no flashing	Battery voltage too high or too low	No battery connected	Connect battery
		Wrong or bad battery connected	Replace battery
		Battery pack replaced with different type	Reset the driver (see Trustsight GEN3+ datasheet p.23)
Red / fast (0.25s on, 0.25s off)	Output voltage too low or No load connected or	Wrong LED load	Connect right load and perform functional
		Wrong connection	Connect right load and perform functional
Red / slow (0.25s on, 1.25s off)	Failed test due to battery	Battery end of life	Replace battery and perform duration test
		Charger failure	Replace driver
Red-green / fast (0.25s on, 0.25s off)		DALI device identification	
Red / short (0.03s on, 0.97s off)	Battery temperature out of range (LFP+ only)	Battery temperature outside 0°C - 55°C range	Wait until temperature is within range
Green / short (0.03s on, 0.97s off)	Current battery levels in range.	Battery detection	Wait until battery detection is finished
Red / short (0.03s on, 0.97s off)	Current battery levels out of		

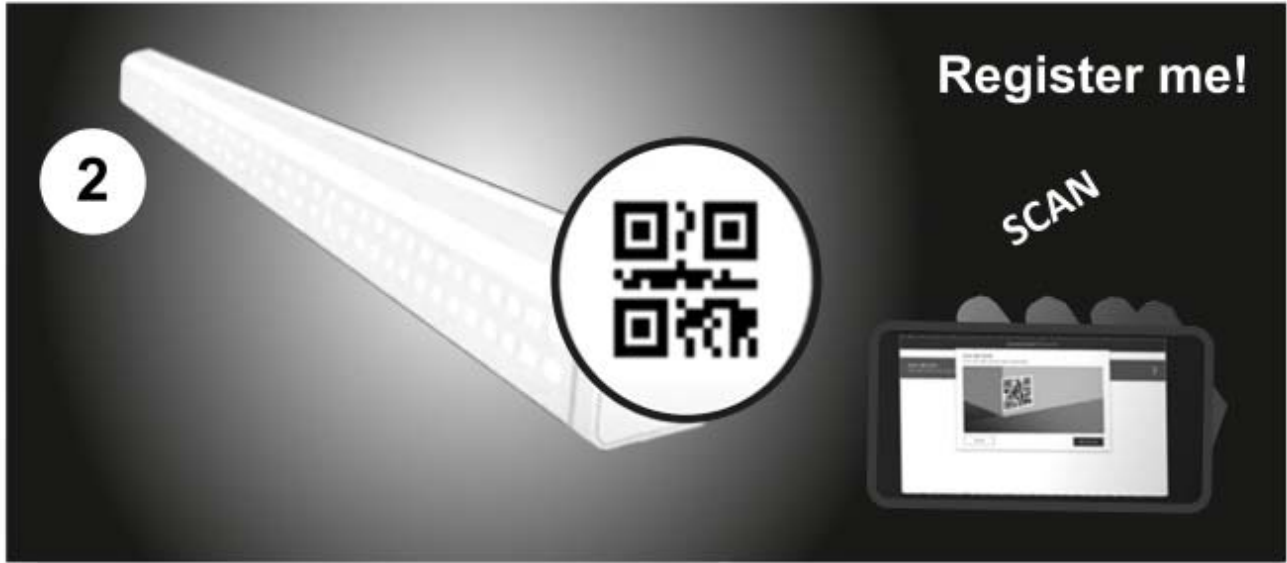
Rated light output in DC emergency mode: The luminaire is working on 15% of the normal mode of the luminous flux by DC supply

DC supply : 186-250V

# Polar diagrams

Rated light output in emergency mode: 550 lm





To get an overview of all spare parts for a luminaire, please refer to detailed instructions in the service manual available via the Signify Service tag apps (Android and iOS).





GB - Disconnect before servicing  
FR - Mettre hors tension avant intervention  
DE - Öffnen nur spannungsfrei  
NL - Stroom afsluiten voor onderhoud  
LT - Pirms apkopos atvienojiet no elektrības  
EE - Katkesta elektrii toide enne valgusti hooldust/remonti  
PT - Desconecte antes de fazer a manutenção

DK - Frakobl, før service  
NO - Koble fra før service  
FI - Irrota pistoke ennen huolto  
CZ - Před servisem se odpojte  
TR - Servis yapmadan önce bağılantıyı kesin  
HR - Prije servisiranja isključite  
GR - Αποσυνδέστε πριν από τη συντήρηση  
BG - Изключете преди сервис  
RU - Отключите перед обслуживанием  
LV - Pirms apkopos atvienojiet to

IT - Togliere tensione prima di fare manutenzione  
ES - Desconectar antes de manipular  
SE - Bryt strömmen före lampbyte  
SK - Odpojit pred údržbou  
SI - Pred servisiranjem izključite svetilko  
HU - Karbantartás előtt húzza ki a csatlakozót  
PL - Odłącz przed serwisowaniem  
RO - Deconectați-vă înainte de întreținere

GB	Luminaire has basic insulation between Low Voltage supply and control conductors.	SE	Armaturen har enkelisolerung mellan lågvoltförsörjningen och styrelledningarna.	GR	Το φωτιστικό διαθέτει βασική μόνωση μεταξύ της χαμηλής τάσης τροφοδοσίας και των αγωγών ελέγχου.
ES	La luminaria tiene un aislamiento básico entre la alimentación de baja tensión y los cables de la señal de control.	NO	Armaturet har enkelisolerung mellom lavvoltforsyningen og styrelledningene.	CZ	Ve svítidle je mezi vodiči napájení a řízení základní izolace.
PT	A luminária tem um isolamento básico entre a alimentação de baixa tensão e os cabos de sinal de controlo.	FI	Valaisimessa on peruseristys syöttöjännitteen ja ohjausohjtimien välillä.	TR	Armatür, Alçak Gerilim beslemesi ile kontrol iletkenleri arasında temel izolasyona sahiptir
DE	Die Leuchte verfügt über eine einfachen Isolation zwischen der Niederspannungsversorgung und den Steuerleitungen.	HU	A lámpatest kifesztésű és szabályozó bemenetei galvanikusan el vannak választva.	SK	Svietidlo má základnú izoláciu medzi vodičmi zdroja nízkeho napätia a riadiacimi vodičmi.
FR	Le luminaire comporte une isolation de base entre l'alimentation basse tension et les câbles de contrôle.	RO	Corpul de iluminat dispune de izolație de bază între sistemul de alimentare de joasă și conductorii de control.	LT	Šviestuvas turi elementarią izoliaciją tarp žemos įtampos maitinimo ir valdymo laidų.
IT	Il grado di isolamento tra il conduttore di alimentazione ed il conduttore di segnale è básico.	BG	Осветителното тяло има основна изолация между захранването ниско напрежение и контролните проводници.	LV	Gaismeklīm ir pamata izolācija starp zemsprieguma barošanas un vadības aprīkojuma.
NL	Armatuur heeft een basisisolatie tussen laagspannings-voeding en controle bedrading.	RU	Светильник обладает базовой электроизоляцией между низковольтным блоком питания и управляющими проводниками.	EE	Valgustil on põhisolatsioon madalpinge toite ja juhtimiseadmete vahel.
DK	Armaturet har enkelisolerung mellem lavvoltforsyningen og styrelledningerne.	PL	Oprawa posiada podstawową izolację pomiędzy modulem zasilania niskonapięciowego i przewodami sterującymi.	SI	Svetilka ima osnovno izolacijo med nizkonapetostnimi napajalnimi in regulacijskimi vodniki.
GB	If this luminaire contains an external flexible cable, it shall only be replaced by the manufacturer or his service agent or a similar qualified person. The light source and/or control gear contained in this luminaire are not replaceable, in case of damage replace the luminaire.	RO	Dacă acest aparat de iluminat conține un cablu flexibil extern, acesta trebuie înlocuit doar de producător sau de agentul său de service sau de o persoană similară calificată. Sursa de lumină și / sau aparatul conținut în acest aparat de iluminat nu pot fi înlocuite, în caz de deteriorare înlocuiți aparatul de iluminat.	HR	Svjetiljka ima osnovnu izolaciju između napajanja i upravljačkih konektora.
ES	Si esta luminaria contiene un cable flexible, solo podrá ser sustituido por el fabricante o su agente de servicio o por una persona cualificada. El driver y/o la fuente de luz contenidos en esta luminaria no son reemplazables, en caso de defecto se reemplazará la luminaria.	IT	Se tale apparecchio di illuminazione contiene un cavo flessibile esterno, esso deve essere sostituito solo dal costruttore o dal suo agente di servizio o da una persona qualificata analoga. La sorgente luminosa e/o il dispositivo di controllo contenuti in questo apparecchio di illuminazione non sono sostituibili, in caso di danni sostituire l'intero apparecchio di illuminazione.	GR	Εάν το φωτιστικό αυτό περιέχει εξωτερικό εύκαμπτο καλώδιο, αντικαθίσταται μόνο από τον κατασκευαστή ή τον αντιπρόσωπο σέρβις ή παρόμοιο ειδικευμένο πρόσωπο. Η φωτεινή πηγή ή/και τα όργανα ένδυσής/ελέγχου που περιέχεται σε αυτό το φωτιστικό δεν είναι αντικαταστάσιμα, σε περίπτωση βλάβης αντικαταστήστε το φωτιστικό.
PT	Se esta luminária tiver um cabo externo flexível, só deve ser substituída pelo fabricante ou pelo seu agente de serviço ou por pessoa qualificada para tal. A fonte de luz e/ou o equipamento de controlo nesta luminária não são substituíveis, em caso de avaria, substitua a luminária.	TR	Bu aydınlatma armatürü harici bir esnek kablo içeriyorsa, yalnızca imalatçı veya servis temsilcisi veya benzer nitelikli bir kişi tarafından değiştirilmelidir. Bu armatürde bulunan ışık kaynağı ve / veya kontrol tertibatı değiştirilemez, hasar olması durumunda armatürü değiştiriniz.	GR	Εάν το φωτιστικό αυτό περιέχει εξωτερικό εύκαμπτο καλώδιο, αντικαθίσταται μόνο από τον κατασκευαστή ή τον αντιπρόσωπο σέρβις ή παρόμοιο ειδικευμένο πρόσωπο. Η φωτεινή πηγή ή/και τα όργανα ένδυσής/ελέγχου που περιέχεται σε αυτό το φωτιστικό δεν είναι αντικαταστάσιμα, σε περίπτωση βλάβης αντικαταστήστε το φωτιστικό.
DE	Wenn die Leuchte ein externes flexibles Anschlusskabel beinhaltet, darf dieses nur durch den Hersteller oder seinen Kundendienst oder eine ähnlich qualifizierte Person ausgetauscht werden. Die in dieser Leuchte enthaltene Lichtquelle und/oder Betriebsgerät ist nicht austauschbar, im Schadensfall ersetzen Sie die Leuchte.	HR	Ako svjetiljka sadrži vanjski fleksibilni napojni kabel, smije ga zamijeniti samo proizvođač, ovlaštteni serviser ili adekvatna stručno osposobljena i ovlaštena osoba. Izvor svjetlosti i / ili predspojna naprava sadržani u ovoj svjetiljki nisu zamjenjivi, u slučaju njihovog kvara, zamijeniti cijelu svjetiljku	GR	Εάν το φωτιστικό αυτό περιέχει εξωτερικό εύκαμπτο καλώδιο, αντικαθίσταται μόνο από τον κατασκευαστή ή τον αντιπρόσωπο σέρβις ή παρόμοιο ειδικευμένο πρόσωπο. Η φωτεινή πηγή ή/και τα όργανα ένδυσής/ελέγχου που περιέχεται σε αυτό το φωτιστικό δεν είναι αντικαταστάσιμα, σε περίπτωση βλάβης αντικαταστήστε το φωτιστικό.
FR	Si ce luminaire comporte un câble d'alimentation souple, celui-ci ne doit être remplacé que par le fabricant, un de ses agents ou une personne qualifiée. La source lumineuse et/ou le contrôleur de courant contenus dans ce luminaire ne sont pas remplaçables, changez le produit en cas de défaut.	TR	Bu aydınlatma armatürü harici bir esnek kablo içeriyorsa, yalnızca imalatçı veya servis temsilcisi veya benzer nitelikli bir kişi tarafından değiştirilmelidir. Bu armatürde bulunan ışık kaynağı ve / veya kontrol tertibatı değiştirilemez, hasar olması durumunda armatürü değiştiriniz.	GR	Εάν το φωτιστικό αυτό περιέχει εξωτερικό εύκαμπτο καλώδιο, αντικαθίσταται μόνο από τον κατασκευαστή ή τον αντιπρόσωπο σέρβις ή παρόμοιο ειδικευμένο πρόσωπο. Η φωτεινή πηγή ή/και τα όργανα ένδυσής/ελέγχου που περιέχεται σε αυτό το φωτιστικό δεν είναι αντικαταστάσιμα, σε περίπτωση βλάβης αντικαταστήστε το φωτιστικό.
HU	Amennyiben a lámpatest tartalmaz külső rugalmas kábelt, azt csak a gyártó, a gyártóval szerződött cég vagy megfelelő képesítéssel rendelkező szakember cserélheti ki. A fényforrás és/vagy a működtető szerelvény ebben a lámpatestben nem cserélhető, meghibásodás esetén cserélje a teljes lámpatestet.	HR	Ako svjetiljka sadrži vanjski fleksibilni napojni kabel, smije ga zamijeniti samo proizvođač, ovlaštteni serviser ili adekvatna stručno osposobljena i ovlaštena osoba. Izvor svjetlosti i / ili predspojna naprava sadržani u ovoj svjetiljki nisu zamjenjivi, u slučaju njihovog kvara, zamijeniti cijelu svjetiljku	GR	Εάν το φωτιστικό αυτό περιέχει εξωτερικό εύκαμπτο καλώδιο, αντικαθίσταται μόνο από τον κατασκευαστή ή τον αντιπρόσωπο σέρβις ή παρόμοιο ειδικευμένο πρόσωπο. Η φωτεινή πηγή ή/και τα όργανα ένδυσής/ελέγχου που περιέχεται σε αυτό το φωτιστικό δεν είναι αντικαταστάσιμα, σε περίπτωση βλάβης αντικαταστήστε το φωτιστικό.
NL	Indien de armatuur een flexibele voedingskabel bevat, mag deze alleen vervangen worden door de fabrikant of haar service dealer of een vergelijkbaar gekwalificeerd persoon. De lichtbron en/of voorschakelapparatuur van dit armatuur zijn niet vervangbaar, in geval van defect dient het armatuur vervangen te worden.	TR	Bu aydınlatma armatürü harici bir esnek kablo içeriyorsa, yalnızca imalatçı veya servis temsilcisi veya benzer nitelikli bir kişi tarafından değiştirilmelidir. Bu armatürde bulunan ışık kaynağı ve / veya kontrol tertibatı değiştirilemez, hasar olması durumunda armatürü değiştiriniz.	GR	Εάν το φωτιστικό αυτό περιέχει εξωτερικό εύκαμπτο καλώδιο, αντικαθίσταται μόνο από τον κατασκευαστή ή τον αντιπρόσωπο σέρβις ή παρόμοιο ειδικευμένο πρόσωπο. Η φωτεινή πηγή ή/και τα όργανα ένδυσής/ελέγχου που περιέχεται σε αυτό το φωτιστικό δεν είναι αντικαταστάσιμα, σε περίπτωση βλάβης αντικαταστήστε το φωτιστικό.
DK	Hvis dette armatur indeholder eksterne kabler må de kun blive udskiftet af producenten eller hans service partner eller lignende kvalificeret person. Lyskilden og/eller driver indeholder i dette armatur er ikke udskiftelig. I tilfælde af skade skift hele armaturet.	HR	Ako svjetiljka sadrži vanjski fleksibilni napojni kabel, smije ga zamijeniti samo proizvođač, ovlaštteni serviser ili adekvatna stručno osposobljena i ovlaštena osoba. Izvor svjetlosti i / ili predspojna naprava sadržani u ovoj svjetiljki nisu zamjenjivi, u slučaju njihovog kvara, zamijeniti cijelu svjetiljku	GR	Εάν το φωτιστικό αυτό περιέχει εξωτερικό εύκαμπτο καλώδιο, αντικαθίσταται μόνο από τον κατασκευαστή ή τον αντιπρόσωπο σέρβις ή παρόμοιο ειδικευμένο πρόσωπο. Η φωτεινή πηγή ή/και τα όργανα ένδυσής/ελέγχου που περιέχεται σε αυτό το φωτιστικό δεν είναι αντικαταστάσιμα, σε περίπτωση βλάβης αντικαταστήστε το φωτιστικό.
SE	Om denna armatur har en extern kabel får den endast bytas ut av tillverkaren eller en kvalificerad person. Ljuskällan och/eller styrsystemet är inte utbytbara. Vid skada ska därför hela armaturen bytas ut.	HR	Ako svjetiljka sadrži vanjski fleksibilni napojni kabel, smije ga zamijeniti samo proizvođač, ovlaštteni serviser ili adekvatna stručno osposobljena i ovlaštena osoba. Izvor svjetlosti i / ili predspojna naprava sadržani u ovoj svjetiljki nisu zamjenjivi, u slučaju njihovog kvara, zamijeniti cijelu svjetiljku	GR	Εάν το φωτιστικό αυτό περιέχει εξωτερικό εύκαμπτο καλώδιο, αντικαθίσταται μόνο από τον κατασκευαστή ή τον αντιπρόσωπο σέρβις ή παρόμοιο ειδικευμένο πρόσωπο. Η φωτεινή πηγή ή/και τα όργανα ένδυσής/ελέγχου που περιέχεται σε αυτό το φωτιστικό δεν είναι αντικαταστάσιμα, σε περίπτωση βλάβης αντικαταστήστε το φωτιστικό.
NO	Hvis dette armaturet inneholder en ekstern kabel, skal den bare erstattes av produsenten eller dens service agent eller tilsvarende kvalifisert person. Lyskilden og/eller driveren i dette armaturet er ikke mulig å erstatte, hvis den er ødelagt må armaturet byttes ut.	HR	Ako svjetiljka sadrži vanjski fleksibilni napojni kabel, smije ga zamijeniti samo proizvođač, ovlaštteni serviser ili adekvatna stručno osposobljena i ovlaštena osoba. Izvor svjetlosti i / ili predspojna naprava sadržani u ovoj svjetiljki nisu zamjenjivi, u slučaju njihovog kvara, zamijeniti cijelu svjetiljku	GR	Εάν το φωτιστικό αυτό περιέχει εξωτερικό εύκαμπτο καλώδιο, αντικαθίσταται μόνο από τον κατασκευαστή ή τον αντιπρόσωπο σέρβις ή παρόμοιο ειδικευμένο πρόσωπο. Η φωτεινή πηγή ή/και τα όργανα ένδυσής/ελέγχου που περιέχεται σε αυτό το φωτιστικό δεν είναι αντικαταστάσιμα, σε περίπτωση βλάβης αντικαταστήστε το φωτιστικό.
CZ	Pokud toto svítidle obsahuje napájecí flexibilní kabel, může jej vyměnit pouze výrobce nebo jeho servisní technik nebo obdobně kvalifikovaná osoba. Světelný zdroj a/nebo předradník obsažený v tomto svítidle nelze vyměnit, v případě poškození vyměňte celé svítidlo.	HR	Ako svjetiljka sadrži vanjski fleksibilni napojni kabel, smije ga zamijeniti samo proizvođač, ovlaštteni serviser ili adekvatna stručno osposobljena i ovlaštena osoba. Izvor svjetlosti i / ili predspojna naprava sadržani u ovoj svjetiljki nisu zamjenjivi, u slučaju njihovog kvara, zamijeniti cijelu svjetiljku	GR	Εάν το φωτιστικό αυτό περιέχει εξωτερικό εύκαμπτο καλώδιο, αντικαθίσταται μόνο από τον κατασκευαστή ή τον αντιπρόσωπο σέρβις ή παρόμοιο ειδικευμένο πρόσωπο. Η φωτεινή πηγή ή/και τα όργανα ένδυσής/ελέγχου που περιέχεται σε αυτό το φωτιστικό δεν είναι αντικαταστάσιμα, σε περίπτωση βλάβης αντικαταστήστε το φωτιστικό.
FI	Jos tässä valaisimessa on ulkoinen kaapeli, sen saa vaihtaa vain valmistaja tai tämän valtuuttama huoltoedustaja tai vastaava pätevä henkilö. Tämän valaisimen sisältämät valonlähteet ja/tai liitäntälaitteet eivät ole vaihdettavissa, vaihda valaisin niiden vikaantuessa.	HR	Ako svjetiljka sadrži vanjski fleksibilni napojni kabel, smije ga zamijeniti samo proizvođač, ovlaštteni serviser ili adekvatna stručno osposobljena i ovlaštena osoba. Izvor svjetlosti i / ili predspojna naprava sadržani u ovoj svjetiljki nisu zamjenjivi, u slučaju njihovog kvara, zamijeniti cijelu svjetiljku	GR	Εάν το φωτιστικό αυτό περιέχει εξωτερικό εύκαμπτο καλώδιο, αντικαθίσταται μόνο από τον κατασκευαστή ή τον αντιπρόσωπο σέρβις ή παρόμοιο ειδικευμένο πρόσωπο. Η φωτεινή πηγή ή/και τα όργανα ένδυσής/ελέγχου που περιέχεται σε αυτό το φωτιστικό δεν είναι αντικαταστάσιμα, σε περίπτωση βλάβης αντικαταστήστε το φωτιστικό.
PL	Jeśli ta oprawa zawiera zewnętrzny przewód, powinine on być wymieniony tylko przez producenta lub jego serwisanta lub kwalifikowany personel. Źródła światła i/lub zasilacz w/wyprawie nie są wymienne, w przypadku uszkodzenia należy wymienić oprawę.	HR	Ako svjetiljka sadrži vanjski fleksibilni napojni kabel, smije ga zamijeniti samo proizvođač, ovlaštteni serviser ili adekvatna stručno osposobljena i ovlaštena osoba. Izvor svjetlosti i / ili predspojna naprava sadržani u ovoj svjetiljki nisu zamjenjivi, u slučaju njihovog kvara, zamijeniti cijelu svjetiljku	GR	Εάν το φωτιστικό αυτό περιέχει εξωτερικό εύκαμπτο καλώδιο, αντικαθίσταται μόνο από τον κατασκευαστή ή τον αντιπρόσωπο σέρβις ή παρόμοιο ειδικευμένο πρόσωπο. Η φωτεινή πηγή ή/και τα όργανα ένδυσής/ελέγχου που περιέχεται σε αυτό το φωτιστικό δεν είναι αντικαταστάσιμα, σε περίπτωση βλάβης αντικαταστήστε το φωτιστικό.

- GB Storage, installation, use, operation and maintenance of the products needs to be performed exactly according the instructions in this manual and/or other instructions as may be provided by us to guarantee safe use of the product over its entire lifetime. Failure to adhere to these instructions will invalidate your entitlement to warranty. Bolts with indication of torque strength on the drawing need to be tightened using a calibrated torque wrench. Pre-assembled bolts need to be retightened again to the required torque specification to assure maximum strength over lifetime.
- ES El almacenamiento, instalación, uso, funcionamiento y mantenimiento de este producto debe realizarse exactamente según las instrucciones de este manual, así como otras instrucciones que le proporcionemos con el fin de garantizar un uso seguro del producto durante toda su vida útil. Si no se cumplen estas instrucciones, la garantía quedará anulada. Los tornillos con indicación de par de apriete en el dibujo, deben apretarse con una llave dinamométrica calibrada. Los tornillos del acoplamiento premontados deben reapretarse de nuevo con la especificación de par de apriete necesaria para garantizar una solidez máxima durante toda la vida útil de la luminaria.
- PT Para garantir uma utilização segura do produto durante a respetiva vida útil, o armazenamento, a instalação, a utilização, a operação e a manutenção dos produtos tem de ser efetuados exatamente de acordo com as instruções neste manual e/ou com outras instruções que possam ser fornecidas por nós. O incumprimento destas instruções irá invalidar o direito a garantia. Os parafusos com indicação do torque no esquema tem de ser apertados utilizando uma chave dinamométrica calibrada. Os parafusos pré-montados tem de ser novamente apertados de acordo com a especificação de torque necessário para garantir uma resistência máxima durante a vida útil.
- DE Lagerung, Installation, Verwendung, Betrieb und Wartung der Produkte müssen genau nach den Anweisungen in dieser Anleitung und/oder anderen von uns zur Verfügung gestellten Anweisungen erfolgen, um eine sichere Verwendung des Produkts über seine gesamte Lebensdauer zu gewährleisten. Bei Nichtbeachtung dieser Hinweise erlischt Ihr Anspruch auf Gewährleistung. Schrauben mit Angabe der Drehmomente auf der Zeichnung müssen mit einem kalibrierten Drehmomentschlüssel angezogen werden. Vormontierte Schrauben müssen mit dem angegebenen Drehmoment nachgezogen werden, um eine maximale Festigkeit über die gesamte Lebensdauer zu gewährleisten.
- FR Le stockage, l'installation, l'utilisation et la maintenance des produits doivent être effectués conformément aux instructions de ce manuel et / ou d'autres instructions que nous fournissons afin de garantir une utilisation sûre du produit pendant toute sa durée de vie. Le non-respect de ces instructions invalidera votre droit à la garantie. Les vis, dont les couples de serrage sont indiqués sur les schémas, doivent être serrés à l'aide d'une clé dynamométrique étalonnée. Les vis préassemblées doivent être resserrées à nouveau selon la spécification de couple de serrage requis afin d'assurer leur résistance maximale pendant toute leur durée de vie.
- IT Le stock, l'installazione, l'uso, il funzionamento e la manutenzione dei prodotti devono essere eseguiti esattamente in base alle istruzioni contenute nel presente manuale e / o in altra documentazione fornita da noi per garantire la sicurezza del prodotto per l'intera durata del suo utilizzo. La mancata osservanza di queste istruzioni annullerà la garanzia. I bulloni, con indicazione sull'intensità della coppia serraggio sul disegno devono essere serrati utilizzando una chiave dinamometrica calibrata. I bulloni pre-assemblati devono essere riserrati nuovamente secondo le specifiche di coppia richieste per assicurare la massima resistenza per tutta la durata.
- NL Om een veilig gebruik van dit product gedurende zijn hele levensduur te garanderen, dient het opslaan, installeren, gebruiken, bedienen en onderhouden ervan exact te worden uitgevoerd in overeenstemming met de instructies in deze handleiding en/of andere door ons geleverde instructies. Niet opvolgen van deze instructies maakt uw garantieaanspraken ongeldig. Bouten waarvan in de tekening het aanhaalkoppel is vermeld, dienen te worden vastgezet met behulp van een momentsleutel. Voorgeassembleerde bouten dienen opnieuw te worden aangehaald tot het vereiste koppel om maximale strekte gedurende de hele levensduur te waarborgen.
- DK Opbevaring, installation, brug, betjening og vedligeholdelse af produkterne må kun udføres ifølge instruktionerne i denne vejledning og/eller eventuelle øvrige instruktioner fra Signify for at garantere sikker brug af produktet i hele dets levetid. Hvis disse instruktioner ikke følges, bortfalder produktgarantien. Bolte/skrue med angivet spændingsmoment på tegningen skal spændes med en indstillet momentnøgle. Færdigsamlende bolte/skrue skal efterspændes i henhold til det specificerede moment for at sikre maksimal fastgørelse i hele produktets levetid.
- SE Förvaring, installation, användning, drift och underhall av produkterna måste utföras enligt instruktionerna i denna handbok och/eller andra instruktioner som kan tillhandahållas av oss för att garantera säker användning. Om instruktioner inte följs frångår man produktgarantin. Skruvar där vridmoment anges på ritningen måste dras åt med en kalibrerad skiftnyckel. Förmonterade skruvar måste dras åt igen med angivet vridmoment för att säkerställa högsta styrka under livslängden.
- NO Oppbevaring, montering, bruk, drift og vedlikehold av produktene må utføres nøyaktig i samsvar med instruksjonene i denne handboken og/eller andre instruksjoner vi måtte gi for a garantere sikker bruk av produktet i hele dets levetid. Hvis instruksjonene ikke følges, bortfaller garantien. Bolter med angivelse av dreiemoment på tegningen må strammes med en kalibrert momentnøkkel. Ferdigmonterte bolter må strammes på nytt til pakrevd dreiemoment for a sikre maksimal styrke i hele produktets levetid.
- FI Tuotteiden asennuksessa, käytössä ja huollossa on noudatettava tarkoin tässä käyttöoppaassa tai muissa toimitamissamme ohjemateriaaleissa annettuja ohjeita. Tämä varmistaa tuotteen turvallisen toiminnan koko sen käyttöajan ajan. Näiden ohjeiden noudattamatta jättäminen mitätöi kaikki oikeutesi takuukorvauksiin. Pultit, joille on asennusohjeessa ilmoitettu tietty kiristystiukkuus, on kiristettävä kalibroidulla momenttiavaimella. Esiasennetut pultit on kiristettävä ilmoitettuun kiristystiukkuuteen koko käyttöajan mittaisen kestävyuden varmistamiseksi.
- HU A termék tárolását, telepítését, használatát, üzemeltetését és karbantartását pontosan a jelen kézikönyvben és / vagy az általunk biztosított egyéb utasításoknak megfelelően kell elvégezni, hogy garantáljuk a termék biztonságos használatát az élettartama alatt. Ezen utasítások be nem tartása érvényteleníti a jótállási jogát. A rajzon a nyomaték-erősséggel jelzett csavarokat meg kell húzni egy kalibrált nyomatékkulccsal. Az előre összeszerelt csavarokat újra meg kell húzni a szükséges nyomaték specifikációhoz, hogy biztosítsák a maximális szilárdságot az élettartam során.
- PL Przechowywanie, instalacja, użytkowanie, obsługa i konserwacja produktów musi odbywać się ściśle według wytycznych zawartych w niniejszej instrukcji i / lub w innych instrukcjach, które dołączamy aby zagwarantować bezpieczne użytkowanie produktu przez cały okres eksploatacji. Nieprzestrzeganie tych instrukcji może spowodować utratę prawa do gwarancji. Śruby, przedstawione na rysunku wskazującym siłę momentu dokręcania, muszą być dokręcone za pomocą kalibrowanego klucza dynamometrycznego. Aby zapewnić maksymalną wytrzymałość w całym okresie użytkowania, wstępnie zamontowane śruby należy dokręcić zgodnie z wymaganą specyfikacją momentu dokręcania.
- RO Depozitarea, instalarea, utilizarea, operarea și întreținerea produselor trebuie să fie efectuate exact în conformitate cu instrucțiunile din acest manual și/sau cu alte instrucțiuni care pot fi furnizate de noi pentru a garanta utilizarea în siguranță a produsului, pe întreaga durată de viașă a acestuia. Nerespectarea acestor instrucțiuni vă va anula dreptul la garanție. Șuruburile care au cuplul de strângere indicat pe desen, trebuie să fie strânse cu ajutorul unei chei dinamometrice calibrate. Șuruburile preasamblate trebuie să fie strânse din nou la specificația de cuplu cerută, pentru a asigura rezistența maximă pe întreaga durată de viașă.
- CZ Při uchování, montáži, používání a údržbě produktu je třeba postupovat přesně podle pokynů v této příručce a dalších našich případných pokynů, které zajišťují bezpečné používání produktu po celou dobu jejich životnosti. Když tyto pokyny dodržovat nebudete, přijdete o záruku. Šrouby, které mají na vykresu uveden utahovací moment, je třeba utahovat zkalibrovaným momentovým klíčem. Předem namontované šrouby je třeba dotáhnout požadovaným momentem, aby po dobu životnosti produktu držely na místě.

- TR Ürünlerin saklanması, kurulumu, kullanımı, çalıştırılması ve bakımı, ürünün kullanım ömrü boyunca güvenli kullanımının sağlanması amacıyla tam olarak bu kılavuzdaki ve / veya tarafımızdan sağlanan diğer talimatlara uygun biçimde gerçekleştirilmelidir. Söz konusu talimatlara uyulmaması, ürüne ilgili garanti hakkınızı geçersiz kılar. Teknik çizimde yanarda sıklıkla torku değeri belirtilen civatalar kalibre edilmiş bir tork anahtarı kullanılarak sıkılmalıdır. Önceden takılmış olarak gelen civataların da belirtilen tork değerine uygun biçimde yeniden sıkılması, kullanım ömrü boyunca maksimum dayanıklılığın sağlanması açısından önemlidir.
- BG Съхранението, инсталирането, употребата, експлоатацията и поддръжката на продуктите трябва да се извършват точно в съответствие с указанията в това ръководство и / или други инструкции, които могат да бъдат предоставени от нас, за да се гарантира безопасна употреба на продукта през целия му експлоатационен живот. Неспазването на тези указания ще обезсили Ващото право на гаранция. Болтовете с индикация за силата на въртящия момент на чертежа трябва да бъдат затегнати с помощта на калибриран гаечен ключ. Предварително сглобените болтове трябва да бъдат отново затегнати до изискваната спецификация на въртящия момент, за да осигурят максимална якост по време на експлоатационния живот.
- GR Η αποθήκευση, η εγκατάσταση, η χρήση, η λειτουργία και η συντήρηση των προϊόντων πρέπει να γίνεται ακριβώς σύμφωνα με τις οδηγίες του παρόντος εγχειριδίου ή / και τις άλλες οδηγίες που ενδεχομένως να παρασχεθούν, προκειμένου να είναι εγγυημένη η ασφαλής χρήση του προϊόντος για ολόκληρη τη διάρκεια ζωής του. Η μη εφαρμογή αυτών των οδηγιών θα ακυρώσει τα δικαιώματά σας στο πλαίσιο της εγγύησης. Οι βίδες με ένδειξη τιμής ροπής σύσφιξης στο σχέδιο θα πρέπει να σφίχτούν με τη χρήση ενός βαθμονομημένου ροποκλειδού. Οι προ-συναρμολογημένες βίδες πρέπει να σφίχθούν και πάλι με την απαιτούμενη τιμή ροπής σύσφιξης, προκειμένου να διασφαλιστεί η μέγιστη ισχύς σε όλη τη διάρκεια ζωής.
- RU Чтобы гарантировать безопасное использование этого изделия на протяжении всего соответствующего срока службы, его хранение, установку, использование, эксплуатацию и обслуживание необходимо осуществлять в точном соответствии с приведенными в настоящем руководстве инструкциями и (или) иным инструкциями, которые могут быть предоставлены нами. Несоблюдение этих инструкций приведет к потере прав на гарантию. Болты, для которых на чертеже указан крутящий момент, необходимо затягивать калиброванным динамометрическим ключом. Для обеспечения максимальной прочности изделия в течение всего срока службы болты, завинченные в ходе предварительной сборки, необходимо подтянуть до указанного момента.
- SK Uskladnenie, inštalácia, používanie a údržba produktov je potrebné postupovať presne podľa pokynov v manuáli a/alebo iných nami poskytnutých pokynov, ktoré zaisťujú bezpečné používanie produktu počas celej doby životnosti. Nedodržaním týchto pokynov sa ruší záruka. Skrutky s naznačenou silou utiahnutia, musia byť utáňované kalibrovaným momentovým kľúčom. Vopred namontované skrutky musia byť znovu utáňnuté podľa požadovanej špecifikácie, aby komponenty držali na mieste počas celej životnosti.
- HR Pohranjivanje, instaliranje, uporaba, korištenje i održavanje proizvoda treba se vršiti točno u skladu s uputama u ovom priručniku i/ili s drugim uputama osiguranim s naše strane kako bi se jamčila sigurna uporaba proizvoda kroz cijeli radni vijek. Nepoštivanje ovih uputa poništava vaše pravo na jamstvo. Vijci s indiciranim momentom zatezanja na nacrtu trebaju biti uočvršćeni korištenjem zateznog alata s kalibriranim momentom zatezanja. Također i već uočvršćeni vijci trebaju biti dotezani do specificiranog zateznog momenta kako bi se osigurala uočvršćenost tijekom cijelog radnog vijeka.
- LT Produktų saugojimas, montavimas, naudojimas, eksploatavimas ir priežiūra turi būti atlikti tiksliai pagal instrukcijas, pateiktas šiame vadove ir (arba) kitas instrukcijas, kurias mes galime pateikti, kad garantuotume saugų gaminių naudojimą per visą jo eksploatavimo laiką. Jei nesilaikysite šių instrukcijų nurodymų bei reikalavimų, jūsų teisė į garantiją bus panaikinta ir nebegalios. Varžtai, nurodantys sukimo momento stiprumą brėžinyje, turi būti užveržti naudojant kalibruotą sukimo momento veržliaraktį. Iš anksto sumontuotus varžtus reikia vėl priveržti iki reikiamo sukimo momento, kad būtų užtikrintas maksimalus tvirtumas per visą eksploatavimo laiką.
- LV Izstrādājumu uzglabāšana, uzstādīšana, lietošana un apkope jāveic precīzi saskaņā ar šajā rokasgrāmatā sniegtajām instrukcijām un / vai citām instrukcijām, kuras mēs varam piedāvāt, lai garantētu produkta drošu lietošanu visā tā darbības laikā. Neievērojot šos norādījumus, jūsu tiesības uz garantiju tiek anulētas. Bultskrūves ar norādītiem griezes stipruma zīmējumiem jābūt pieskrūvētām izmantojot kalibrētu griezes atslēgu. Iepriekš samontētās skrūves ir atkal jāpievelk līdz vajadzīgajai griezes specifikācijai, lai nodrošinātu maksimālu pieguli visā eksploatācijas laikā.
- EE Toodele ladustamine, paigaldamine, kasutamine, käitamine ja hooldus tuleb läbi viia täpselt vastavalt selle juhendi juhistele ja/või muudele meie poolt pakutavatele juhistele, et tagada toote ohutu kasutamine kogu selle toote eluaja jooksul. Nende juhiste mittejärgimine kaotab teie õiguse garantiile. Poldid, millel on joonisel toodud pöördemomendi tugevus, tuleb pingutada kalibreeritud pöördemoment mutrivõtme abil. Eelnevalt kinnitatud poldid tuleb uuesti pingutada vastavalt nõutavale pöördemomendi spetsifikatsioonile, et tagada maksimaalne kinnituse tugevus kogu eluea jooksul.
- SI Skladiščenje, namestitve, uporaba, delovanje in vzdrževanje izdelkov mora biti natančno izvedeno v skladu z navodili v tem priručniku in / ali drugimi navodili za zagotovitev varne uporabe izdelka skozi celotno življenjsko dobo. V primeru neupoštevanja teh navodil, se lahko razveljavi pravica do garancije. Vijake, ki imajo označen navor, je potrebno zategniti s kalibriranim navornim ključem. Vijake, ki so že sestavljeni, je potrebno znova priviti v skladu z zahtevanim navorom, da je zagotovljena maksimalna moč skozi življenjsko dobo.
- GB This product contains a light source of energy efficiency class: see table or label.
- RO Acest produs conține o sursă de lumină cu clasa de eficiență energetică: a se vedea tabelul sau eticheta.
- ES Este producto contiene una fuente luminosa de la clase de eficiencia energética: ver tabla o etiqueta.
- CZ Tento výrobek obsahuje světelný zdroj s třídou energetické účinnosti: viz tabulka nebo štítek.
- PT Este produto contém uma fonte de luz da classe de eficiência energética: ver tabela ou rótulo.
- FI Tämä tuote sisältää valonlähteen, jonka energiatehokkuusluokka on: katso taulukko tai etiketti.
- DE Dieses Produkt enthält eine Lichtquelle der Energieeffizienzklasse: siehe Tabelle oder Etikett.
- SE This Denna produkt innehåller en ljuskälla med energieffektivitetsklass: se tabell eller etikett.
- FR Ce produit conti nt une source lumineuse de classe d'efficacité énergétique: voir tableau ou étiquette.
- HU Ez a termék egy energiahatékonyági osztályú fényforrást tartalmaz: lásd a táblázatot vagy a címkét.
- IT Questo prodotto contiene una sorgente luminosa di classe di efficienza energetica: vedere tabella o etichetta.
- SK Tento výrobok obsahuje svetelný zdroj triedy energetické účinnosti: pozri tabuľku alebo štítok.
- NL Dit product bevat een lichtbron van energie-efficiëntieklasse: zie tabel of label.
- HR Ovaj proizvod sadržiava izvor svetlosti klase nemetske učinkovitosti: vidi tablicu ili naljepnicu.
- DK Dette produkt indeholder en lyskilde i energieffektivitetsklasse: se tabel eller etiket.
- LV Šis ražojums satur gaismas avotu, kura energoefektivitātes klase ir: skatīt tabulu vai etiķeti.
- LT Šiame gaminyje yra šviesos šaltinis, kurio energijos vartojimo efektyvumo klasė: žr. lentelę arba etiketę.
- EE Toode sisaldab energiatõhususe klassi valgusallikat: vt tabelit või etiketti.
- GR Το προϊόν αυτό περιέχει φωτεινή πηγή της τάξης ενεργειακής απόδοσης: βλέπε πίνακα ή ετικέτα.
- BG Този продукт включва светлинен източник с клас на енергийна ефективност: вижте таблицата или етикета.
- PL Ten produkt zawiera źródło światła o klasie efektywności energetycznej: patrz tabela lub etykieta.
- SI Ta izdelek vsebuje svetlobni vir razreda energijske učinkovitosti: glej tabelo ali nalepko.



© 2025 Signify Holding

All rights reserved. This document contains information relating to the product portfolio of Signify which information may be subject to change. No representation or warranty as to the accuracy or completeness of the information included herein is given and any liability for any action in reliance thereon is disclaimed. The information presented in this document is not intended as any commercial offer and does not form part of any quotation or contract. Philips and the Philips Shield Emblem are registered trademarks of Koninklijke Philips N.V.. All other trademarks are owned by Signify Holding or their respective owners.

Signify Holding  
The Netherlands