

Tempo HE LED Floodlight/LED投光灯

BVPI81/I82/I83/I84/I85/I86

Mounting instructions/ 安装说明

Version/版本: V1

			IEC 60598	GB/T 7000.205	GB 43472		$t_a 35^{\circ}\text{C}$	IP66	IK08	50/60Hz		
Product Type 产品型号	Power 功率	Lumen output 流明输出	 kg	Color 颜色	CCT 色温	Voltage 额定电压	Frequency 频率	 m				
BVPI81 70LED48	30W	4800lm	0.9	Grey	CW(冷白)	220-240V~	50/60Hz	0.025				
		4800lm			NW(正白)							
		4500lm			WW(暖白)							
BVPI82 98LED56	50W	8000lm	1.5		CW(冷白)							
		8000lm			NW(正白)							
		7500lm			WW(暖白)							
BVPI83 120LED65	70W	11200lm			1.9			CW(冷白)				
		11200lm						NW(正白)				
		10500lm						WW(暖白)				
BVPI84 192LED59	100W	16000lm			3.2			CW(冷白)				
		16000lm						NW(正白)				
		15000lm						WW(暖白)				
BVPI85 288LED59	150W	24000lm	0.089		CW(冷白)							
		24000lm			NW(正白)							
		22500lm			WW(暖白)							
BVPI86 348LED65	200W	32000lm	0.053	CW(冷白)								
		32000lm		NW(正白)								
		30000lm		WW(暖白)								

Product Type 产品型号	Power 功率	A	B	C	D	E	F	G	H	I	J
BVPI81 70LED48	30W	239	206	153	121	40	98	80	Ø10.2	8.5	700
BVPI82 98LED56	50W	282	241	210	171	42	128	120			
BVPI83 120LED65	70W	282	241	210	171	42	128	156			
BVPI84 192LED59	100W	322	281	231	190	46	141	210	Ø16.5		
BVPI85 288LED59	150W	387	341	306	261	52	182	210			
BVPI86 348LED65	200W	387	341	306	261	52	182	210			

30/100/150/200W

50W

70W

Unit: mm
单位: mm

Signify (China) Investment Co., Ltd.
 Building No. 9, Lane 888 Tianlin Road,
 Minhang District, Shanghai, China
 Postalcode: 200233
 昕诺飞(中国)投资有限公司
 中国上海市闵行区田林路888弄9号楼
 邮编: 200233

PHILIPS

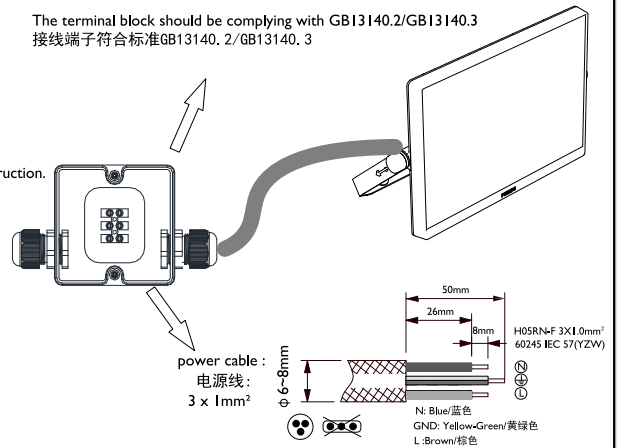
Philips and the Philips shield emblem are registered trademarks of Koninklijke Philips N.V.

1 Connect the power cord 接电源线

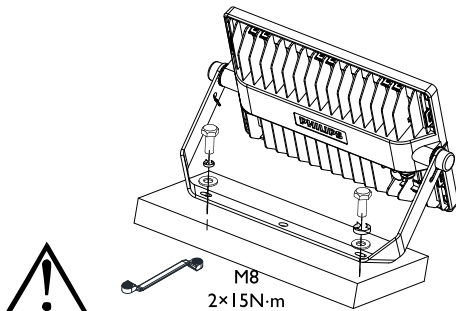
1. Always use IP66 or higher IP rated junction box/connector for wiring connection.
2. The Luminaire should never be used in submerged wet conditions e.g. under water, soil, snow etc.
3. The wiring connection should also never be used in submerged wet conditions e.g. water, soil, snow etc. OR must use IP66 junction box.
4. The warranty is void, in case any of the instructions / guidelines are not followed as per given mounting instruction.
5. This product is not supplied with any junction box / connector.
6. For further clarification, please contact the manufacturer.

1. 进行接线时需要IP66或更高IP等级的接线盒/连接头;
2. 请勿将灯具浸没在潮湿的环境中使用, 例如: 水, 土壤, 雪等;
3. 请勿将接线部位浸没在潮湿的环境中使用, 例如: 水, 土壤, 雪等。如果无法避免, 请使必须用IP66防护;
4. 如果未使用IP66或更高IP等级的接线盒/连接头, 本灯具会发生故障, 且产品不适用质保政策;
5. 本灯具不提供IP66接线盒/连接头;
6. 如需进一步的说明, 请联系制造商。

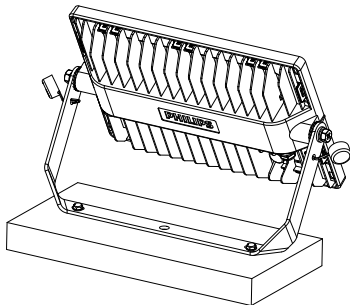
The terminal block should be complying with GB13140.2/GB13140.3
接线端子符合标准GB13140.2/GB13140.3



2 Fix bracket 固定支架

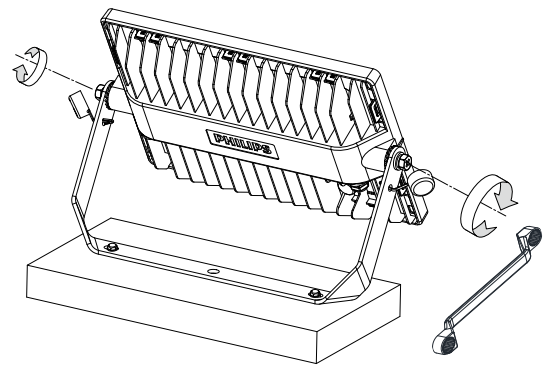


Two slot holes must be fixed by screw and washer when installing, outer dimension of washer must be larger than 14mm
灯具支架固定时, 支架端部两个螺栓孔必须用螺栓和垫片固定, 垫片外径不得小于14mm

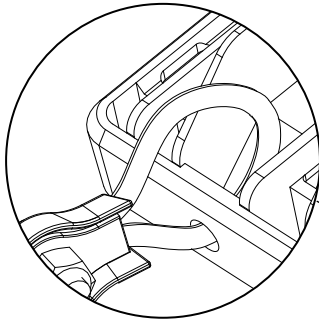


Pull caps out at two sides.
拉开耳套。

3 Fasten the bolts, then put two caps back on the bolts. 锁紧灯具两侧紧固螺栓,并盖上两端耳套

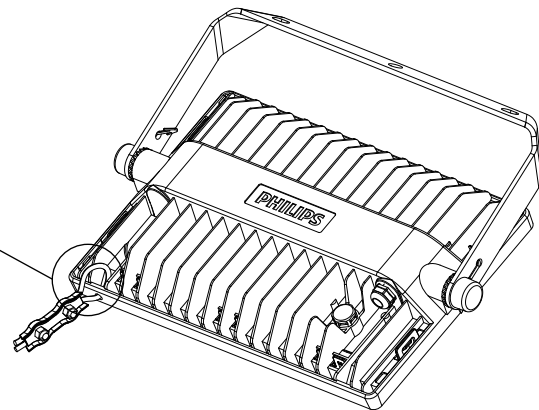


Model 型号	Power 功率	Screw 螺丝	N·m
BVPI81 70LED48	30W	M6	8
BVPI82 98LED56	50W	M8	15
BVPI83 120LED65	70W	M8	15
BVPI84 192LED59	100W	M8	15
BVPI85 288LED59	150W	M10	25
BVPI86 348LED65	200W	M10	25



Signify Safety chain 911401685102(no supplied in the luminaire) is recommended to install.

推荐安装Signify安全链, Signify在灯具中不提供此安全链。



1. The connection of power cable on luminaire is type Y. If the external flexible cord or flexible cord of this lamp is damaged, it should be replaced by the manufacturer or its service agent or a similarly qualified person to avoid danger.

灯具上的电源线线缆属Y型连接。如果此灯具的外部软线或软线损坏了, 应该要由制造商或其服务代理商或类似的有资格的人更换, 以避免发生危险。

2. Switch off electricity supply (mains) before operation.

操作前请务必切断电源

3. Before using, external earthing is must required. Earthing is also must required in its whole life.

灯具使用前, 必须先接地。整个使用过程中, 也必须确保灯具始终接地。

4. The luminaire should be replaced immediately if any crack or deterioration.

若灯具破损, 请勿继续使用。

5. The luminaire shall be installed by a qualified electrician and wired in accordance with the latest IEE electrical regulations or the national requirements.

灯具应由有资格的电工安装, 接线要符合IEE电气标准或国家标准。

6. The light source contained in this luminaire shall only be replaced by the manufacturer or his service agent or a similar qualified person.

此灯具内的光源应由制造商或其服务代理商或一个类似的有资格的人来更换。

7. The luminaire should avoid storage and usage in such a surroundings or an occasion that is with corrosion or hazardous gases like sulfide, haide, phthalate and so on.

灯具应避免在有腐蚀或有害气体环境和场合下储存和使用, 像硫化物, 卤化物邻苯二甲酸盐等。

8. In this product series, products claiming 500 hours of neutral salt spray are not suitable for areas less than 10 kilometers away from the coast.

本产品系列中宣称500小时中性盐雾的产品不适合距离海岸小于10公里的地区。


Product Type 产品型号	Power 功率	Run Current (A) (@230V) 工作电流	Start (Inrush) Current(A) /Ipeak (A) 浪涌电流	Start Current Duration (μ s) / T (@50% of Ipeak) (μ s) 浪涌电流持续时间	* Touch current or protective conductor current (mA) 漏电流	Maximum Number of Luminaire on MCB 16A Type B (pcs) 16A B型微型断路器最多可接灯具数	Maximum Number of Luminaire on MCB 16A Type C (pcs) 16A C型微型断路器最多可接灯具数	Main surge immunity 浪涌耐受 (KV)	
								dif. mode 差模	common mode 共模
BVPI81	30W	0.14	20	240	<3.5	14	21	6	6
BVPI82	50W	0.23	25	340	<3.5	7	11	6	6
BVPI83	70W	0.32	25	390	<3.5	6	10	6	6
BVPI84	100W	0.44	55	450	<3.5	3	5	6	6
BVPI85	150W	0.66	55	450	<3.5	3	5	10	10
BVPI86	200W	0.88	55	450	<3.5	3	5	10	10

The leakage current *(touch current or protective conductor current) of electrical circuit may be greatly dependent upon electrical supply cables used such as its rating and length, proper connection of electrical supply cables to luminaires and wiring connection topology of luminaires to the supply electrical circuit amongst other site conditions.
电路的漏电流*(接触电流或保护导体电流)很大程度上取决于导线,如导线的规格长度。在现场用时,电源线到灯具的接法,灯具电源线的排布也有影响。

* In some cases referred to as Earth Leakage Current, using this current value to calculate the Maximum Connection Number of Luminaires with the ELB used.
* 在有些场合也称作对地漏电流,使用此电流值计算漏电保护器所能连接的最大灯具数量。

用户资料

用户姓名: _____
 产品名称: _____
 产品型号: _____
 出售单位及地址: _____
 购买日期: _____ 年 _____ 月 _____ 日
 发票号码: _____



昕诺飞(中国)投资有限公司
 中国上海市闵行区田林路888弄9号楼,邮编:
 200233
 服务热线: 8008 201 201
 4009 201 201

仅限中国大陆地区

昕诺飞灯具产品 质保条款

本公司保证该产品在正常使用及保养下能发挥其优越性能。同时本公司将为持证用户提供一年质保服务(不含光源)。

- 自购买之日起一年内,凡经本公司确认为正常使用情况下因产品本身质量问题导致的故障及损坏,您将获得质保服务。
- 此质保服务包括灯具以及灯具包含的附件、辅助装置。
- 消费者申请质保服务时,须提供本保修证以及有效的购买凭证。
- 以下情况将不能享受质保服务:
 - 无生产日期、涂改生产日期或撕毁、调换生产日期贴纸;
 - 产品已经由非本公司授权人员拆卸、改装或修理过;
 - 超过质保有效期限的产品;
 - 正常使用引起的产品老化、磨损、划伤、掉漆等,不影响产品的正常使用;
 - 非质量问题造成产品外壳严重损坏(包括变形、氧化、腐蚀或有严重的水渍等);
 - 使用不当引起的人为损坏,如接不适当电源、使用不适当的配件、不适当之安装、不依照说明书使用、错误使用或疏忽造成的损坏等;
 - 其他不可抗力因素,如水灾、火灾、地震、高压、酸碱腐蚀、雷击浪涌等造成的损坏。

服务热线: 8008 201 201
 4009 201 201
 昕诺飞(中国)投资有限公司

仅限中国大陆地区



Maintenance

维护

1. Periodic clearing of the luminaires' optical lens covers will ensure maximum optical efficiency.
定期清洗灯具的光学透镜盖以保证最大的光效输出。

2. Luminaire optical lens cover shall be cleaned with clean water, non-abrasive soap, cleaner and detergent solution. Acid solution or alkali solution cannot be used as a cleaning solution to wash outside surface of luminaire.
灯具光学透镜盖必须用清洁的水、非损伤性的肥皂、清洁剂和洗涤剂溶液。酸溶液或碱溶液不能用作清洁溶液来冲洗灯具的外表面。

Caution

注意

1. Luminaire must be used within the applicable product specification of installation instruction and environmental conditions for storage and operation according to application guidelines provided by Signify for valid product warranty.

按Signify提供的灯具产品应用指南和有效的产品保修期规定,灯具储存、操作和运行必须使用在合适的产品规格、安装指导说明和环境条件范围之内。

2. The information presented in this document does not form part of any quotation or contract, is believed to be accurate and reliable and maybe changed without notice.
该文件包含的信息不构成任何商务报价或合同的一部分,仅被认为是基于准确和可靠原则,可能做出变更而无通知。

部件名称	产品中有害物质的名称及含有信息表									
	有害物质									
	Pb	Hg	Cd	Cr(VI)	PBBs	PBDEs	DBP	DIBP	BBP	DEHP
PCB Board LED 灯板	○	○	○	○	○	○	○	○	○	○
Driver with all materials used 驱动包含所有使用材料	×	○	○	○	○	○	○	○	○	○
PC optical diffuser PC 光学透镜	○	○	○	○	○	○	○	○	○	○
Housing/other components 外壳/其他零件	○	○	○	○	○	○	○	○	○	○

注1: ○: 表示该有害物质在该部件所有均质材料中的含量均不超过电器电子产品有害物质限制使用国家标准要求。
 ×: 表示该有害物质至少在该部件的某一均质材料中含量超过电器电子产品有害物质限制使用国家标准要求。
 注2: 以上未列出的部件,表明有害物质含量均不超过电器电子产品有害物质限制使用国家标准要求。



This marking indicates that this product should not be disposed with other household wastes throughout the EU.
 To prevent possible harm to the environment or human health from uncontrolled waste disposal, recycle it responsibly to promote the sustainable reuse of material resources.
 To return your used device, please use the return and collection systems or contact the retailer where the product was purchased.
 They can take this product for environmental safe recycling.