



# Sophisticated yet simple energy-efficient lighting control solutions

## Dynalite Network Devices

To bring all the different devices together, Dynalite supports a range of network devices that are useful in creating a problem-free installation.

### Application

- Retail and Hospitality, Office and Industry
- Public spaces, Stadiums and multi-purpose Event Centers
- Residential

### Versions

C2CWDL Calculite 2" Round Wall Downlight Cylinder



LEDBulb E27 A60



# Dynalite Network Devices

## Versions

10W (65W) E26 Warm Glow Bulb  
(Dimmable) - RFT

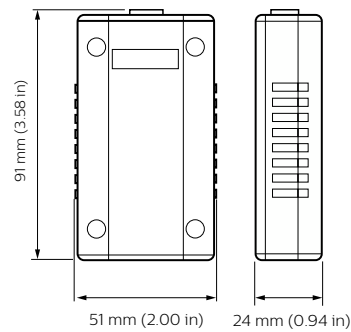
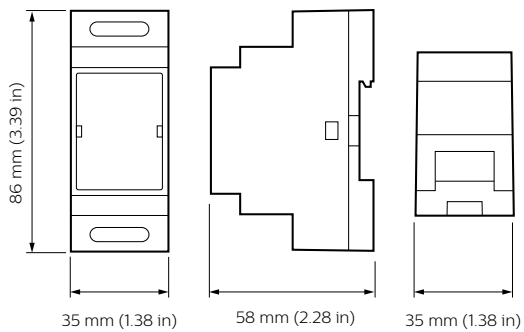
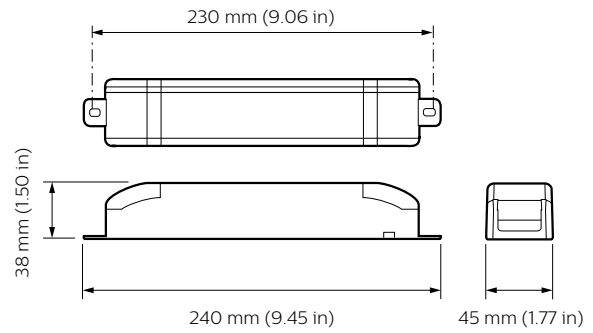
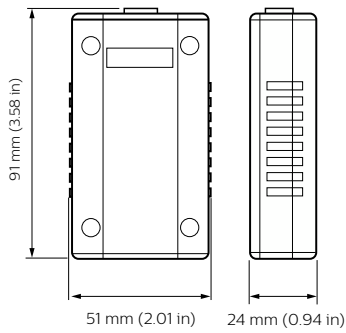
046677574604\_VLIM2021050\_b\_  
3000K\_FULL-2022-CPI.tif



DH2x24, DIN Rail Enclosure

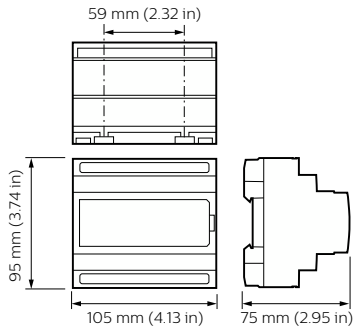


## Dimensional drawing



# Dynalite Network Devices

## Dimensional drawing



## Product details

Detail of back connection DTK622 Network Gateway



Front of the DMAL120F Active Load

DDNP1501 Front



DDTC001 Front



