



Product Description

TUV TL Mini

TUV TL Mini lamps are slim double-ended UVC (germicidal) lamps used in residential water and air disinfection units. The small 16 mm diameter of the lamp allows for a small system design and design flexibility. TUV TL Mini lamps offer constant UV output over their complete lifetime, for maximum security of disinfection and high system efficacy.

Benefits

- Security of effective disinfection over the useful lifetime of the lamp
- Security of effective disinfection over the complete lifetime of the lamp
- High system efficacy because it is not required to over-design the purification system to maintain effectiveness of disinfection
- High system efficacy because it is not required to over-design the purification system to maintain effectiveness of disinfection
- Good environmental choice because of lowest amount of mercury

Features

- Short-wave UV radiation with a peak at 253.7 nm (UVC) for disinfection purposes
- Short-wave UV radiation with a peak at 253.7 nm (UVC) for disinfection purposes
- Protective inside coating ensures almost constant UV output over the complete lifetime of the lamp
- Protective inside coating ensures constant UV output over the complete lifetime of the lamp
- Special lamp glass filters out the 185 nm ozone-forming radiation
- Lamp glass filters out the 185 nm ozone-forming line
- Warning sign on lamp indicates that the lamp radiates UVC
- Warning sign on lamp indicates that the lamp radiates UVC

Application

- Deactivation of bacteria, viruses and other micro-organisms
- Deactivation of bacteria, viruses and other micro-organisms
- Residential drinking water units
- Residential drinking water units
- Fish pond water units
- Fish pond water units
- In-duct air treatment units
- In-duct air treatment units
- Stand alone air purifiers
- Stand alone air purifiers

Warnings and Safety

- A lamp breaking is extremely unlikely to have any impact on your health. If a lamp breaks, ventilate the room for 30 minutes and remove the parts, preferably with gloves. Put them in a sealed plastic bag and take it to your local waste facilities for recycling. Do not use a vacuum cleaner.
- A lamp breaking is extremely unlikely to have any impact on your health. If a lamp breaks, ventilate the room for 30 minutes and remove the parts, preferably with gloves. Put them in a sealed plastic bag and take it to your local waste facilities for recycling. Do not use a vacuum cleaner.
- DANGER: Risk Group 3 Ultra Violet product. These lamps emit high-power UV radiation that can cause severe injury to skin and eyes. Avoid eye and skin exposure to unshielded product. Use only in an enclosed environment which shields users from the radiation.
- DANGER: Risk Group 3 Ultra Violet product. These lamps emit high-power UV radiation that can cause severe injury to skin and eyes. Avoid eye and skin exposure to unshielded product. Use only in an enclosed environment which shields users from the radiation.

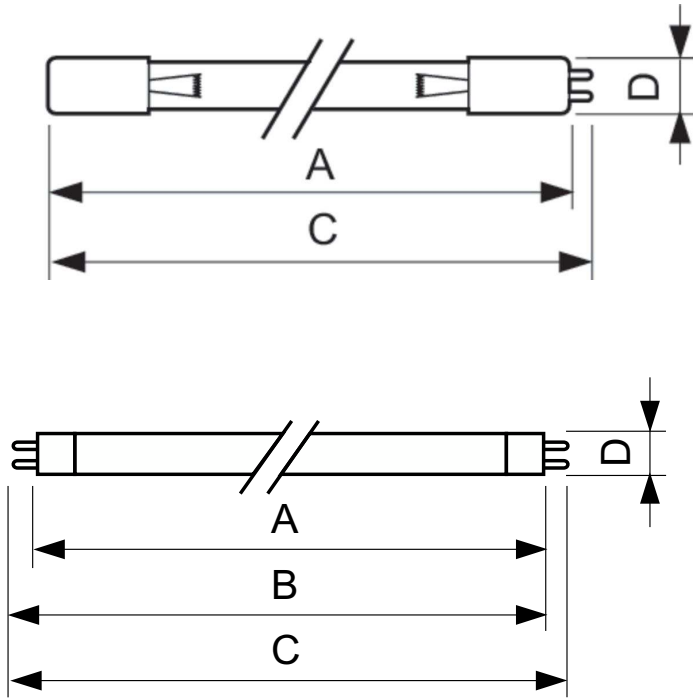
Versions



XPPR_XUTUV_0002-Product photo

TUV TL Mini

Dimensional drawing



Product	D (max)	C (max)	A (max)
TUV 20W 4P SE UNP/32	19.3 mm	437.7 mm	430 mm

Product	D	C
TUV 16W FAM/10X25BOX	16 mm	302.5 mm
TUV 4W FAM/10X25BOX	16 mm	150.1 mm
TUV 8W FAM/10X25BOX	16 mm	302.5 mm

Approval and Application

Mercury (Hg) Content (Nom)	4.4 mg
----------------------------	--------

General Information

Order Code	Full Product Name	Cap-Base
927973404099	TUV 20W 4P SE UNP/32	4PINSSINGLEENDED
928000104013	TUV 4W FAM/10X25BOX	G5

Order Code	Full Product Name	Cap-Base
928001104013	TUV 8W FAM/10X25BOX	G5
928002004013	TUV 16W FAM/10X25BOX	G5

Operating and Electrical

Order Code	Full Product Name	Lamp Current (Nom)	Power Consumption
927973404099	TUV 20W 4P SE UNP/32	0.45 A	20.24 W
928000104013	TUV 4W FAM/10X25BOX	0.17 A	4.5 W

Order Code	Full Product Name	Lamp Current (Nom)	Power Consumption
928001104013	TUV 8W FAM/10X25BOX	0.145 A	7.1 W

