



Gleam Pendant – White

Experience the enchanting glow of Gleam, a bulb-based pendant light, designed by Sebastian Bergne. With a unique heptagon-inspired look, you can choose from the inflated design for a bold, dimensional effect, or the deflated design for sleek sophistication. Available in three sizes, each design aligns with the 3D print grain for a seamless aesthetic. Plus, the printed parts are made with ISCC Plus certified bio-circular material, making them an environmentally conscious choice. Whether you're looking to create a cozy atmosphere in your home or add a unique feature to your hospitality venue, Gleam is the perfect addition.

Benefits

- Circular design
- Low weight and easy to install
- Sustainably 3D printed
- Suitable for various project needs

Applications

- Hospitality
- Residential

Features

- Designed by renowned designer Sebastian Bergne
- Distinctive heptagon-inspired design
- Available in two styles:
 - Inflated (bold, dimensional look)
 - Deflated (sleek, refined look)
- Offered in three different sizes
- Light source: E27 LED bulb (not included)
- Wattage: Compatible with E27 bulbs up to 8W

Versions



Gleam One Large



Gleam One Small



Gleam Two Small



Gleam One Medium



Gleam Two Medium

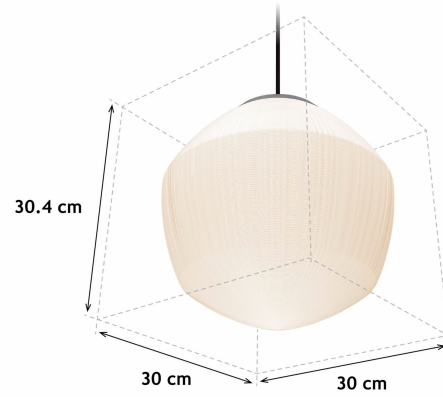


Gleam Two Large

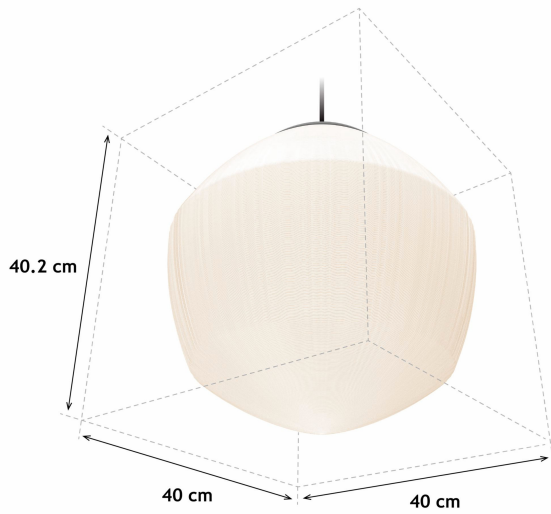
Dimensional drawing



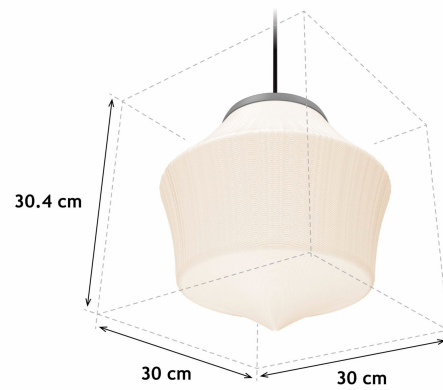
DL GL2S PT E27 OT432WH300 ASI400 FBK BK



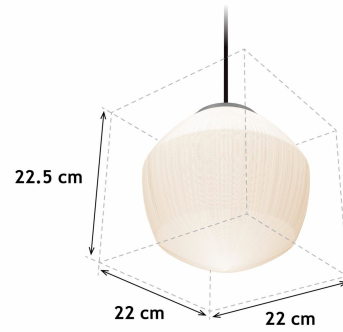
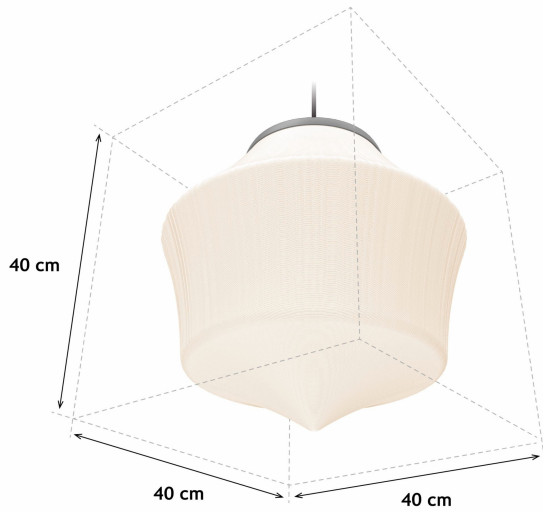
DL GL1M PT E27 OT432WH300 ASI400 FBK BK



DL GL1L PS E27 OT432WH300 ASI400 FBK BK



DL GL2M PS E27 OT432WH300 ASI400 FBK BK



DL GL2L PT E27 OT432WH300 ASI400 FBK BK

DL GL1S PT E27 OT432WH300 ASI400 FBK BK

Operating and Electrical

Input Voltage	220 to 240 V
Line Frequency	50 to 60 Hz
Protection class IEC	Safety class II

Mechanical and Housing

Housing Color	White
Ingress protection code	IP20 [Finger-protected]
Mech. impact protection code	IK02 [0.2 J standard]

Approval and Application

Glow-wire test	Temperature 650 °C, duration 30 s
CE mark	Yes