



Accent Semi Recessed D65 – To spotlight what truly matters

The Accent Semi-Recessed D65 is the perfect lighting solution for anyone looking for energy-efficient, versatile, and sustainable lighting. Designed with the latest LED technology, this innovative projector delivers unmatched brightness and clarity, making it the perfect choice for a wide range of applications, including fashion retail, hospitality, and residential spaces. With a variety of beam angles and color temperatures to choose from, the Accent Semi-Recessed D65 provides unparalleled versatility. It also features different cutout sizes, making it ideal for renovation projects. Its sleek and modern design seamlessly integrates into any environment, while its durable construction ensures long-lasting performance. Crafted from at least 65% recycled or bio-circular materials, and a heatsink made from 85% recycled aluminum, the Accent Semi-Recessed D65 is a highly sustainable lighting solution. Its circular design makes it upgradable, reusable, serviceable, and recyclable, ensuring that it will last for years to come. Upgrade your lighting solution today with the Accent Semi-Recessed D65 and experience the difference that superior quality, versatility, and sustainability can make.

Benefits

- Circular design
- Fulfills all accent lighting needs
- Consistent and best in class lighting technology
- Sustainably 3D printed
- Perfectfit - Different cutout sizes
- Clean ceiling - Projectors without tracks

Applications

- Fashion Retail
- Retail
- Hospitality
- Offices

Features

- Semi Recessed ceiling mounting - Available in 6 ceiling cutout sizes
- Rich pallet of housing & front ring colors

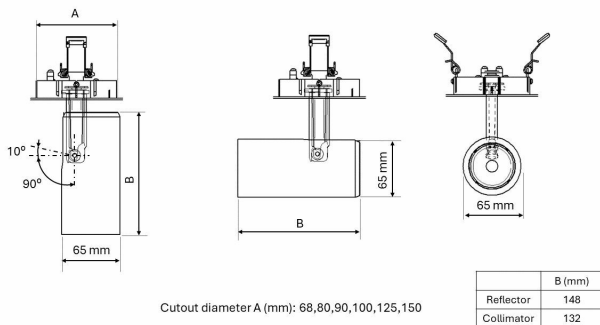
Versions

- 5 texture options for the projector
- Various light recipes to choose from - 3000K, 4000K, Premium White, Premium Color
- Wide range of beam angles to choose from
- Options for Optics - Collimator / Reflector
- Efficacy upto 138 lm/w
- Option for CRI80 or CRI90
- Lumens : 1200 - 2700 Lumens
- Different Driver options - Non Dimming / DIA (Dali interact Dimming / WIA (Wireless interact dimming)
- Lumen maintenance (EN-IEC 62722-2-1) at median useful life: 100,000hrs* to L80 @ 25°C Ta



Accent Semi Recessed
D65-TCATSR-20S-PC930-
PSU-E-CLM24-T204-
WH481-BS-68

Dimensional drawing



TCATSR 20S/PC930 PSU-E CLM24 T204 WHBS68

General Information

Number of gear units	1 unit
Driver included	Yes

Light Technical

Luminous Flux	2,045 lm
Correlated Color Temperature (Nom)	3000 K
Luminous Efficacy (rated) (Nom)	97 lm/W
Color rendering index (CRI)	>90
Optic type	Beam angle 24°

Operating and Electrical

Input Voltage	220 to 240 V
Line Frequency	50 Hz
Power Consumption	21.2 W
Suitable for random switching	Yes
Protection class IEC	Safety class I

Controls and Dimming

Dimmable	No
----------	----

Mechanical and Housing

Housing Color	White RAL 9003
Ingress protection code	IP20 [Finger-protected]
Mech. impact protection code	IK02 [0.2 J standard]

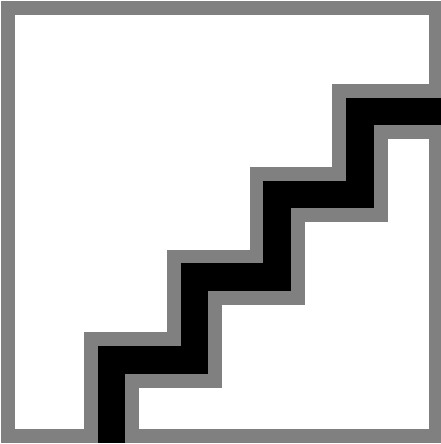
Approval and Application

Glow-wire test	Temperature 650 °C, duration 30 s
Flammability mark	-
CE mark	Yes
ENEC mark	ENEC mark
Ambient temperature range	+10 to +35 °C

Initial Performance (IEC Compliant)

Luminous flux tolerance	+/-10%
Initial chromaticity	(0.422, 0.386) SDCM <2

Polar normal diagrams



TCATSRI - 910505104574