



# A flexible and affordable all-rounder for retail applications

## GreenSpace Accent Projector

Thanks to the GreenSpace Accent family of projectors, retailers and building operators can enjoy the superior quality of light and market-leading energy efficiency of PerfectAccent optics for a reasonable initial investment. The new PerfectAccent optics provide high-quality light that adds sparkle to merchandise at the same time as enhancing shopper eye comfort. Installation and repositioning are both quick and easy and require no additional tools as GreenSpace Accent Projectors integrate seamlessly onto 3C- and DALI-tracks, CoreLine Trunking and Maxos fusion. For fashion (shops) and food retailers (supermarkets, hyperstores), the GreenSpace Accent Projector is available with special LED flavors and fresh food LED lighting recipes to show the merchandise in the very best light. Check out our Fashion and Food catalog pages to find out more about PremiumWhite, PremiumColor, Fresh Meat, Rosé, Frost and Champagne.

### Benefits

- Blends into stores with a clean, robust and neutral design
- Increased sparkle and shopper eye comfort with PerfectAccent optics
- High energy efficiency, maintained over the full lifetime of the product

### Features

- Tool-less installation and repositioning on Track (ST321T), CoreLine Trunking (ST321Y; a double spot head version) or Maxos fusion (ST321S)
- Available with a high flux up to 4900 lm, a wide range of optics, optional front glass and barn door accessories
- Retail LED flavors and Fresh food LED lighting recipes included
- Very broad aiming flexibility, including upward lighting
- Available for normal mains (PSU), simple DALI dimming (PSD), Interact compatible DALI (DIA) and Indoor positioning (DIA-VLC)

# GreenSpace Accent Projector

## Application

- Convenience stores
- Supermarkets & hypermarkets
- Fashion stores

## Warnings and Safety

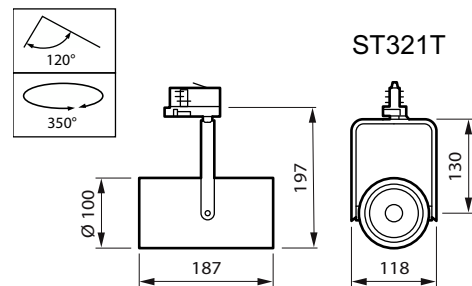
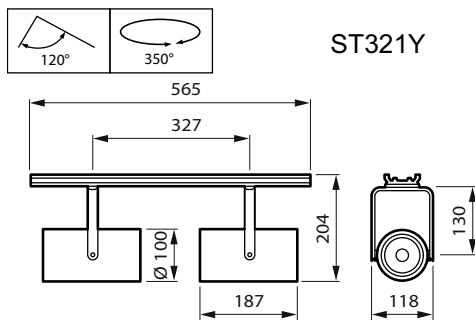
- All photometrical data is calculated without optional front glass. Flux should be reduced by 3.5% when using a front glass
- Cleaning of the optic is only allowed using pressurized air. Touching the LED or reflector is forbidden. For food preparation areas and areas with high levels of dust, the use of the optional front glass is strongly advised, as it can be cleaned with a (dry) microfiber cloth.
- During maintenance, the product must be switched off and cooled down
- The product must be installed out of arm's reach. Manipulating the product when hot is only possible with an insulated glove

## Versions

ST321Y - GreenSpace Accent  
Projector Coreline trunking side  
view



## Dimensional drawing



## Product details



ST321T - GreenSpace Accent  
Projector back view white



ST321Y - GreenSpace Accent  
Projector Coreline trunking  
connect

# GreenSpace Accent Projector

## Product details



ST321T - GreenSpace Accent  
Projector RPO plastic white

### General Information

Driver included	Yes
Light source replaceable	No
Service tag	Yes

### Light Technical

Beam angle of light source	120 degree(s)
Optic type	Wide beam

### Operating and Electrical

Protection class IEC	Safety class II
Input Voltage	220 to 240 V
Line Frequency	50 to 60 Hz
Suitable for random switching	No

### Mechanical and Housing

Housing Color	White
Mech. impact protection code	IK02
Ingress protection code	IP20

### Approval and Application

Ambient temperature range	+10 to +35 °C
CE mark	Yes
ENEC mark	ENEC mark
Flammability mark	For mounting on normally flammable surfaces
Glow-wire test	Temperature 650 °C, duration 30 s
Flickering value (PstLM) - Flickering value as per EN 61000-3-3	1
Stroboscopic effect visibility measure (SVM)	0.5

### Initial Performance (IEC Compliant)

Luminous flux tolerance	+/-10%
-------------------------	--------

### General Information

Order Code	Full Product Name	Number of gear units
910505102313	ST321T 27S/ROSE WIA WB FG WH	1 unit
910505102314	ST321T 39S/PW930 WIA WB WH	1 unit
910505101353	ST321Y 39S/840 PSU WB WH	2 units

## Light Technical

# GreenSpace Accent Projector

Order Code	Full Product Name	Correlated Color Temperature (Nom)	Color rendering index (CRI)	Luminous Efficacy (rated) (Nom)	Luminous Flux
		910505102313	ST321T 27S/ROSE WIA WB FG WH	2200 K	>80
910505102314	ST321T 39S/PW930 WIA WB WH	3000 K	>90	124 lm/W	3,850 lm

Order Code	Full Product Name	Correlated Color Temperature (Nom)	Color rendering index (CRI)	Luminous Efficacy (rated) (Nom)	Luminous Flux
		910505101353	ST321Y 39S/840 PSU WB WH	4000 K	>80

## Operating and Electrical

Order Code	Full Product Name	Power Consumption
910505102313	ST321T 27S/ROSE WIA WB FG WH	29 W
910505102314	ST321T 39S/PW930 WIA WB WH	31 W

Order Code	Full Product Name	Power Consumption
910505101353	ST321Y 39S/840 PSU WB WH	29.5 W

## Controls and Dimming

Order Code	Full Product Name	Dimmable	Maximum dim level
910505102313	ST321T 27S/ROSE WIA WB FG WH	Yes	Not applicable
910505102314	ST321T 39S/PW930 WIA WB WH	Yes	1%

Order Code	Full Product Name	Dimmable	Maximum dim level
910505101353	ST321Y 39S/840 PSU WB WH	No	Not applicable

## Initial Performance (IEC Compliant)

Order Code	Full Product Name	Initial chromaticity
910505102313	ST321T 27S/ROSE WIA WB FG WH	(0.478,0.382)<2
910505102314	ST321T 39S/PW930 WIA WB WH	(0.422,0.386)<2

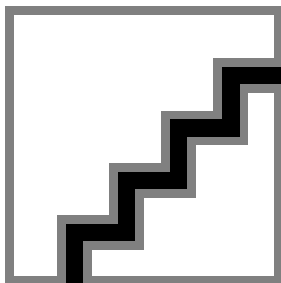
Order Code	Full Product Name	Initial chromaticity
910505101353	ST321Y 39S/840 PSU WB WH	(0.382,0.380)<3

## Product Data

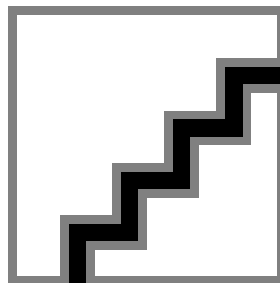
Order Code	Full Product Name	Product family code
910505102313	ST321T 27S/ROSE WIA WB FG WH	ST321T
910505102314	ST321T 39S/PW930 WIA WB WH	ST321T

Order Code	Full Product Name	Product family code
910505101353	ST321Y 39S/840 PSU WB WH	ST321Y

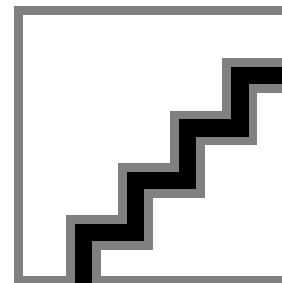
## Polar Wide Diagrams



Polar Normal (separate) - ST321TI - 910505102313



Polar Normal (separate) - ST321TI - 910505102314



Polar Normal (separate) - ST321TI - 910505101353

# GreenSpace Accent Projector

