

Flexible, Comprehensive and Reliable

GreenUp Magnetic Flex

Retail & Hospitality has a clear trend that clusters of choices is one of the most important DNAs that being strongly expected in this specific applications. GreenUp Magnetic Flex is a comprehensive product family with magnetic design which supports an easier and flexible way of installation and commissioning. It offers a complete range of options with product diversity and control availability. GreenUp Magnetic Flex gives you a plenty of flexibility to create the lighting magics.

Benefits

- Easy & Flexible for installation & commissioning.
- Comprehensive offerings to meet various application requirements.
- Good lighting quality with well controlled glare and color rendering performance.
- Ensured quality and reliability.

Features

- Product diversities with magnetic design, including spot, flood, suspension, gridlight and tiltable grid.
- Multiple control availability including on/off and 1-10v.
- CRI \geq 90, SDCM \leq 5

Application

- Retail
- Hospitality
- Fashion

GreenUp Magnetic Flex

Versions



GreenUp Magnetic Flex

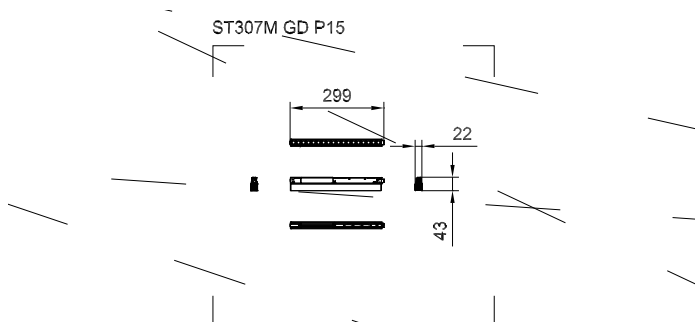
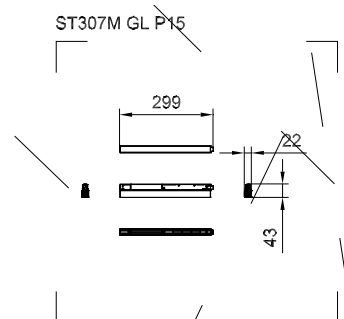
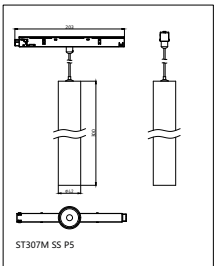


GreenUp Magnetic Flex



GreenUp Magnetic Flex

Dimensional drawing



GreenUp Magnetic Flex

Light Technical

Color rendering index (CRI) >90

Operating and Electrical

Protection class IEC Safety class III

Line Frequency - Hz

Mechanical and Housing

Housing Color Black

Mech. impact protection code IK03

Ingress protection code IP20

Approval and Application

Ambient temperature range -20 to +40 °C

CE mark No

Initial Performance (IEC Compliant)

Luminous flux tolerance +/-10%

Light Technical

Order Code	Full Product Name	Correlated Color	Luminous Efficacy	
		Temperature (Nom)	(rated) (Nom)	Luminous Flux
911401548232	ST307M GD P15 940 PSU-E MB	4000 K	85 lm/W	1,275 lm
911401554802	ST307M GD P15 930 PSU-E MB	3000 K	70 lm/W	1,050 lm
911401557802	ST307M GD P15 930 PSR-E 1-10V MB	3000 K	79 lm/W	1,180 lm
911401559402	ST307M SS P5 940 PSR-E 1-10V WB	4000 K	97 lm/W	485 lm
911401558602	ST307M GL P15 930 PSR-E 1-10V OP	3000 K	48 lm/W	740 lm

Operating and Electrical

Order Code	Full Product Name	Input Voltage	Power Consumption
911401548232	ST307M GD P15 940 PSU-E MB	48 V	15 W
911401554802	ST307M GD P15 930 PSU-E MB	48 V	15 W
911401557802	ST307M GD P15 930 PSR-E 1-10V MB	24 V	15 W

Order Code	Full Product Name	Input Voltage	Power Consumption
911401559402	ST307M SS P5 940 PSR-E 1-10V WB	24 V	5 W
911401558602	ST307M GL P15 930 PSR-E 1-10V OP	24 V	15 W

Controls and Dimming

Order Code	Full Product Name	Dimmable
911401548232	ST307M GD P15 940 PSU-E MB	No
911401554802	ST307M GD P15 930 PSU-E MB	No
911401557802	ST307M GD P15 930 PSR-E 1-10V MB	Yes

Order Code	Full Product Name	Dimmable
911401559402	ST307M SS P5 940 PSR-E 1-10V WB	Yes
911401558602	ST307M GL P15 930 PSR-E 1-10V OP	Yes

Mechanical and Housing

Order Code	Full Product Name	Optical cover type
911401548232	ST307M GD P15 940 PSU-E MB	Polycarbonate bowl/cover
911401554802	ST307M GD P15 930 PSU-E MB	Polycarbonate bowl/cover
911401557802	ST307M GD P15 930 PSR-E 1-10V MB	Polycarbonate micro lens optic

Order Code	Full Product Name	Optical cover type
911401559402	ST307M SS P5 940 PSR-E 1-10V WB	Polycarbonate micro lens optic
911401558602	ST307M GL P15 930 PSR-E 1-10V OP	Polycarbonate micro lens optic

