



FlexBlend heading the way to efficient and flexible furnished offices areas

FlexBlend, Surface-Mounted

Philips FlexBlend is an attractive family of surface-mounted and suspended luminaires, next to FlexBlend recessed. This luminaire range enables building owners to advance their lighting operations, by offering office-compliant lighting with a return on investment of less than three to four years. FlexBlend provides the required flexibility through an adaptable design. This gives the possibility to install the luminaires easily in the building, at any moment. Even when the luminaire is surface mounted, tomorrow it can be adapted to a suspended installation on site. And vice versa. The surface-mounted and suspended luminaire range fits many different office spaces like open plan offices, corridors, reception areas or meeting rooms. FlexBlend is offered in both lines and as standalone, using the same lighting module. This gives users the option to use FlexBlend as standalone now, and tomorrow, as a line. The controller is integrated in the luminaire. As technology is changing fast, the ideal lighting solution is also expected to be ready to incorporate innovations that can help optimise operations further. For this reason, FlexBlend has all connectivity and future-ready options available. As a System Ready luminaire, it can be paired with lighting management systems such as the Philips SpaceWise, and to software-based lighting systems such as Interact Office wired (PoE) and Interact Office wireless and/or existing and upcoming sensor innovations. The luminaire range is therefore future-ready and can be delivered without any system component, and in the next phase, it can be upgraded on site. An attractive opportunity for new installations and renovations.

FlexBlend, Surface-Mounted

Benefits

- Return of investment less than three or four years
- A flexible office with the choice of luminaires to fit many office application areas
- Future ready: scalable and ready to be connected to controls and lighting systems

Features

- Fully office-compliant (UGR <19, L65 < 3,000 cd/sm), light level according to office application requirements
- Homogenous and uniform light effect and CRI90
- Various mounting options with suspended and surface mounted, dimensional variety and 3 Hour emergency versions
- Integrated sensors
- Ready to be connected to software-based lighting systems, such as Interact Office

Application

- Offices
- Education
- Healthcare

Warnings and Safety

- The product is IP20 and as such is not protected against water ingress, so we strongly recommend that the environment in which the luminaire is to be installed is suitably checked
- If the above advice is not followed and the luminaires are subject to water ingress, Philips/Signify cannot guarantee safe use and the product warranty will become void

Versions

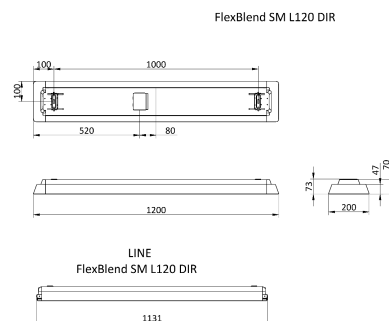
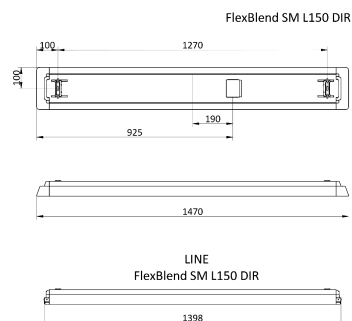


FlexBlend Surface Mounted-
SM340C-MLO-WH-SENS1-L150



FlexBlend Surface Mounted
SM340C PCS WH

Dimensional drawing



FlexBlend, Surface-Mounted

Product details



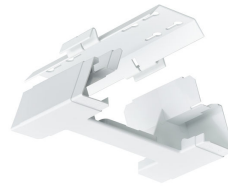
FlexBlend Surface Mounted
SM340C WH



FlexBlend_Surface_Mounted-
SM340C-MLO-WH-SWZU-12DPP



FlexBlend Surface Mounted
SM340C WH



FlexBlend Suspended SP340P WH



FlexBlend Surface Mounted
SM340C brackets

FlexBlend, Surface-Mounted

General Information	
Driver included	Yes
Light source replaceable	No
Number of gear units	Unit
Service Tag	Yes
Light Technical	
Correlated Colour Temperature (Nom)	4000 K
Colour rendering index (CRI)	>90
Optic type	Wide beam
Operating and Electrical	
Protection class IEC	Safety class I
Input Voltage	220 to 240 V
Line Frequency	50 to 60 Hz
Controls and Dimming	
Maximum dim level	1%
Mechanical and Housing	
Housing Colour	White
Mech. impact protection code	IK02
Ingress protection code	IP20
Approval and Application	
Ambient temperature range	+10 to +40 °C
CE mark	Yes
Flammability mark	For mounting on normally flammable surfaces
Glow-wire test	Temperature 850 °C, duration 30 s
Flickering value (PstLM)	1
Stroboscopic effect	0.4
Initial Performance (IEC Compliant)	
Luminous flux tolerance	+/-10%
Product Data	
Product family code	SM340C

Light Technical

Order Code	Full Product Name	Beam angle of light source	Luminous efficacy (rated) (nom.)	Luminous Flux
910925868903	SM340C 42S/940 SEIA PCS U4 L120 WH	- degree(s)	140 lm/W	4,200 lm
910925868904	SM340C 36S/940 SEIA PCS U4 L120 WH	- degree(s)	138 lm/W	3,600 lm
910925867099	SM340C 35S/940 DEIA PCS L150 WH	120 degree(s)	140 lm/W	3,500 lm

Operating and Electrical

Order Code	Full Product Name	Power Consumption	Suitable for random switching
910925868903	SM340C 42S/940 SEIA PCS U4 L120 WH	30 W	No
910925868904	SM340C 36S/940 SEIA PCS U4 L120 WH	26 W	No

Order Code	Full Product Name	Power Consumption	Suitable for random switching
910925867099	SM340C 35S/940 DEIA PCS L150 WH	25 W	Yes (relates to presence/movement detection and daylight harvesting)

Controls and Dimming

FlexBlend, Surface-Mounted

Order Code	Full Product Name	Dimmable
910925868903	SM340C 42S/940 SEIA PCS U4 L120 WH	No
910925868904	SM340C 36S/940 SEIA PCS U4 L120 WH	No

Order Code	Full Product Name	Dimmable
910925867099	SM340C 35S/940 DEIA PCS L150 WH	Yes

Approval and Application

Order Code	Full Product Name	ENEC mark
910925868903	SM340C 42S/940 SEIA PCS U4 L120 WH	ENEC mark
910925868904	SM340C 36S/940 SEIA PCS U4 L120 WH	ENEC mark

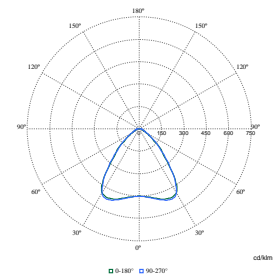
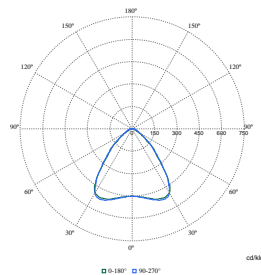
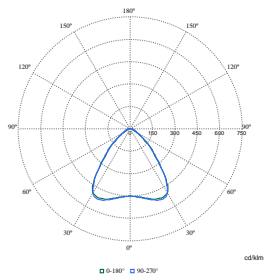
Order Code	Full Product Name	ENEC mark
910925867099	SM340C 35S/940 DEIA PCS L150 WH	ENEC plus mark

Initial Performance (IEC Compliant)

Order Code	Full Product Name	Initial chromaticity
910925868903	SM340C 42S/940 SEIA PCS U4 L120 WH	0.38, 0.37
910925868904	SM340C 36S/940 SEIA PCS U4 L120 WH	0.38, 0.37

Order Code	Full Product Name	Initial chromaticity
910925867099	SM340C 35S/940 DEIA PCS L150 WH	(0.38, 0.38) SDCM <3

Polar Wide Diagrams



Polar Normal (separate) - SM340CI -
910925868903

Polar Normal (separate) - SM340CI -
910925868904

Polar Normal (separate) - SM340CI -
910925867099

