



# Setting the standard in Surface-mounted LED Downlight

## GreenSpace Surface-mounted

Philips GreenSpace Surface-mounted LED Downlight delivers a superior LED alternative that's up to 66% more energy efficient than the conventional downlight retrofits. Blending seamlessly into its environment, GreenSpace Surface-mounted LED Downlight mimics the form of conventional recessed downlights minus the associated high energy and maintenance costs. Philips GreenSpace Surface-mounted LED Downlight is also ideal for all commercial lighting applications as well as public indoor space where there is limited space in the ceiling.

### Benefits

- Lumen output: Different lumens in different sizes and mounting heights with options of 1000lm, 2000lm, 3800lm & 6600lm.
- Superior light performance: Colors rendered accurately(CRI>80) and high system efficacy(100lm/w)
- Varieties: IP20, IP65 version with choice of different lumen output, and option of black housing through tailor-made
- Long lifetime: 50,000 hour lifetime ensures more savings in the long run

### Features

- System efficacy: 100lm/W, energy saving up to 66% vs conventional downlights
- Reliable performance: Lifetime 50,000hours (L70B50@Ta25°C)
- Excellent light quality - CRI>=80 @3000K,4000K and 6500K
- Integral lightweight design – Installation cost is significantly reduced

# GreenSpace Surface-mounted

## Application

- Shopping mall
- Station concourse
- Canopy
- Airport public area
- Stadium public area

## Specifications

<b>Mounting type</b>	surface mounted
<b>Operating Temperature range</b>	-20°C to +40°C
<b>Light Source</b>	LED module
<b>Mains Voltage</b>	220-240V AC / 50-60Hz
<b>Dimming</b>	PSU: non-dimmable
<b>Material</b>	Housing: Die-cast Aluminum
<b>Main color of the luminaire</b>	White Black (ETO available )
<b>Lumen maintenance at median useful life 50.000h</b>	L70
<b>Luminous flux</b>	LED10: 1000lm LED20: 2000lm LED40: 3800lm LED70: 6600lm

<b>Power consumption</b>	10W, 20W,38W, 66W
<b>Luminaire efficacy</b>	100lm/W @840
<b>Correlated color temperature - CCT</b>	3000K,4000K,6500K
<b>Color Rendering index - CRI</b>	80
<b>Beam angle</b>	LED10 & LED20: 90° LED40 & LED70: 60°
<b>Protection Class IEC61140</b>	Class I
<b>Ingress protection</b>	IP20 & IP65 for LED40 & LED70 only
<b>Overall diameter</b>	LED10/LED20: 160mm LED70: 200mm LED40: 160mm (IP20) & 200MM (IP65)
<b>Installation</b>	Surface Mount

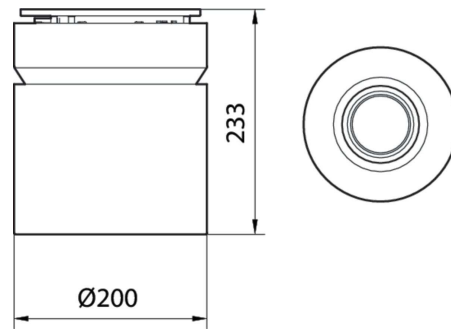
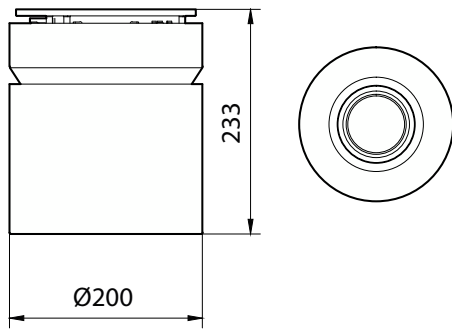
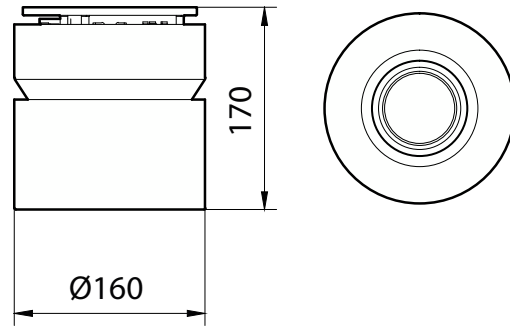
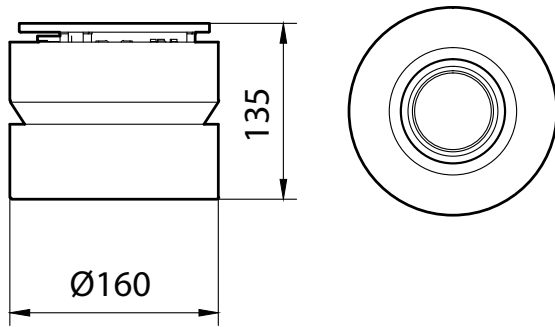
## Versions



GreenSpace SM IP20 3800lm

## GreenSpace Surface-mounted

### Dimensional drawing



# GreenSpace Surface-mounted

## General Information

Driver included	Yes
Light source replaceable	No
Number of gear units	1 unit
Service tag	Yes

## Light Technical

Color rendering index (CRI)	>80
Optic type	High-gloss mirror

## Operating and Electrical

Protection class IEC	Safety class I
Input Voltage	220 to 240 V
Line Frequency	50 or 60 Hz
Suitable for random switching	No

## Controls and Dimming

Dimmable	No
----------	----

## Mechanical and Housing

Optical cover type	Reflector
Mech. impact protection code	IK02

## Approval and Application

Ambient temperature range	-20 to +40 °C
CE mark	Yes
ENEC mark	-
Flammability mark	-
Glow-wire test	Temperature 750 °C, duration 5 s

## Initial Performance (IEC Compliant)

Luminous flux tolerance	+/-10%
-------------------------	--------

## Over Time Performance (IEC Compliant)

Driver failure rate at 5000 h	1.00 %
Median useful life L80B50	40,000 hour(s)
Median useful life L90B50	20,000 hour(s)

## Light Technical

Order Code	Full Product Name	Beam angle of light source	Correlated Color	Luminous	Luminous Flux
			Temperature (Nom)	Efficacy (rated) (Nom)	
911401509231	SM291C LED10/840 PSU BK	-	4000 K	100 lm/W	1,000 lm
911401509831	SM293C LED20/840 PSU BK	-	4000 K	105 lm/W	2,000 lm
911401847299	SM291C LED10/840 PSU WH GM	- degree(s)	4000 K	100 lm/W	1,000 lm
911401847399	SM291C LED10/865 PSU WH GM	- degree(s)	6500 K	100 lm/W	1,000 lm
911401847499	SM293C LED20/830 PSU WH GM	- degree(s)	3000 K	105 lm/W	2,000 lm
911401847599	SM293C LED20/840 PSU WH GM	- degree(s)	4000 K	105 lm/W	2,000 lm
911401847699	SM293C LED20/865 PSU WH GM	- degree(s)	6500 K	105 lm/W	2,000 lm
911401847799	SM295C LED70/840 PSU WP WH GM	- degree(s)	4000 K	100 lm/W	6,600 lm
911401847999	SM294C LED40/840 PSU WP WH GM	- degree(s)	4000 K	105 lm/W	3,800 lm
911401848299	SM294C LED40/865 PSU WP WH GM	- degree(s)	6500 K	105 lm/W	3,800 lm
911401848399	SM294C LED40/830 PSU WP WH GM	- degree(s)	3000 K	105 lm/W	3,800 lm
911401848599	SM294C LED40/830 PSU WH GM	- degree(s)	3000 K	100 lm/W	3,800 lm
911401848699	SM294C LED40/840 PSU WH GM	- degree(s)	4000 K	100 lm/W	3,800 lm
911401848799	SM294C LED40/865 PSU WH GM	- degree(s)	6500 K	100 lm/W	3,800 lm

## Operating and Electrical

Order Code	Full Product Name	Power Consumption	Order Code	Full Product Name	Power Consumption
911401509231	SM291C LED10/840 PSU BK	10 W	911401847799	SM295C LED70/840 PSU WP WH GM	66 W
911401509831	SM293C LED20/840 PSU BK	19 W	911401847999	SM294C LED40/840 PSU WP WH GM	36 W
911401847299	SM291C LED10/840 PSU WH GM	10 W	911401848299	SM294C LED40/865 PSU WP WH GM	36 W
911401847399	SM291C LED10/865 PSU WH GM	10 W	911401848399	SM294C LED40/830 PSU WP WH GM	36 W
911401847499	SM293C LED20/830 PSU WH GM	19 W	911401848599	SM294C LED40/830 PSU WH GM	38 W
911401847599	SM293C LED20/840 PSU WH GM	19 W	911401848699	SM294C LED40/840 PSU WH GM	38 W
911401847699	SM293C LED20/865 PSU WH GM	19 W	911401848799	SM294C LED40/865 PSU WH GM	38 W

## Mechanical and Housing

## GreenSpace Surface-mounted

Order Code	Full Product Name	Housing Color	Ingress protection code
911401509231	SM291C LED10/840 PSU BK	Black	IP20
911401509831	SM293C LED20/840 PSU BK	Black	IP20
911401847299	SM291C LED10/840 PSU WH GM	White	IP20
911401847399	SM291C LED10/865 PSU WH GM	White	IP20
911401847499	SM293C LED20/830 PSU WH GM	White	IP20
911401847599	SM293C LED20/840 PSU WH GM	White	IP20
911401847699	SM293C LED20/865 PSU WH GM	White	IP20

Order Code	Full Product Name	Housing Color	Ingress protection code
911401847799	SM295C LED70/840 PSU WP WH GM	White	IP65
911401847999	SM294C LED40/840 PSU WP WH GM	White	IP65
911401848299	SM294C LED40/865 PSU WP WH GM	White	IP65
911401848399	SM294C LED40/830 PSU WP WH GM	White	IP65
911401848599	SM294C LED40/830 PSU WH GM	White	IP20
911401848699	SM294C LED40/840 PSU WH GM	White	IP20
911401848799	SM294C LED40/865 PSU WH GM	White	IP20

### Initial Performance (IEC Compliant)

Order Code	Full Product Name	Initial chromaticity
911401509231	SM291C LED10/840 PSU BK	(0.38, 0.38) SDCM <5
911401509831	SM293C LED20/840 PSU BK	(0.38, 0.38) SDCM <5
911401847299	SM291C LED10/840 PSU WH GM	(0.38, 0.38) SDCM <5
911401847399	SM291C LED10/865 PSU WH GM	(0.31, 0.32) SDCM <5
911401847499	SM293C LED20/830 PSU WH GM	(0.44, 0.40) SDCM <5
911401847599	SM293C LED20/840 PSU WH GM	(0.38, 0.38) SDCM <5
911401847699	SM293C LED20/865 PSU WH GM	(0.31, 0.32) SDCM <5

Order Code	Full Product Name	Initial chromaticity
911401847799	SM295C LED70/840 PSU WP WH GM	(0.38, 0.38) SDCM <5
911401847999	SM294C LED40/840 PSU WP WH GM	(0.38, 0.38) SDCM <5
911401848299	SM294C LED40/865 PSU WP WH GM	(0.31, 0.32) SDCM <5
911401848399	SM294C LED40/830 PSU WP WH GM	(0.44, 0.40) SDCM <5
911401848599	SM294C LED40/830 PSU WH GM	(0.44, 0.40) SDCM <5
911401848699	SM294C LED40/840 PSU WH GM	(0.38, 0.38) SDCM <5
911401848799	SM294C LED40/865 PSU WH GM	(0.31, 0.32) SDCM <5

