



# Setting the standard in Surface-mounted LED Downlight

## GreenSpace Surface-mounted

Philips GreenSpace Surface-mounted LED Downlight delivers a superior LED alternative that's up to 66% more energy efficient than the conventional downlight retrofits. Blending seamlessly into its environment, GreenSpace Surface-mounted LED Downlight mimics the form of conventional recessed downlights minus the associated high energy and maintenance costs. Philips GreenSpace Surface-mounted LED Downlight is also ideal for all commercial lighting applications as well as public indoor space where there is limited space in the ceiling.

### Benefits

- Lumen output: Different lumens in different sizes and mounting heights with options of 1000lm, 2000lm, 3800lm & 6600lm.
- Superior light performance: Colors rendered accurately(CRI>80) and high system efficacy(100lm/w)
- Varieties: IP20, IP65 version with choice of different lumen output, and option of black housing through tailor-made
- Long lifetime: 50,000 hour lifetime ensures more savings in the long run

### Features

- System efficacy: 100lm/W, energy saving up to 66% vs conventional downlights
- Reliable performance: Lifetime 50,000hours (L70B50@Ta25°C)
- Excellent light quality - CRI>=80 @3000K,4000K and 6500K
- Integral lightweight design – Installation cost is significantly reduced

# GreenSpace Surface-mounted

## Application

- Shopping mall
- Station concourse
- Canopy
- Airport public area
- Stadium public area

## Specifications

<b>Mounting type</b>	surface mounted	<b>Power consumption</b>	10W, 20W, 38W, 66W
<b>Operating Temperature range</b>	-20°C to +40°C	<b>Luminaire efficacy</b>	100lm/W @840
<b>Light Source</b>	LED module	<b>Correlated color temperature - CCT</b>	3000K, 4000K, 6500K
<b>Mains Voltage</b>	220-240V AC / 50-60Hz	<b>Color Rendering index - CRI</b>	80
<b>Dimming</b>	PSU: non-dimmable	<b>Beam angle</b>	LED10 & LED20: 90° LED40 & LED70: 60°
<b>Material</b>	Housing: Die-cast Aluminum	<b>Protection Class</b>	Class I
<b>Main color of the luminaire</b>	White Black (ETO available )	<b>IEC61140</b>	
<b>Lumen maintenance at median useful life 50.000h</b>	L70	<b>Ingress protection</b>	IP20 & IP65 for LED40 & LED70 only
<b>Luminous flux</b>	LED10: 1000lm LED20: 2000lm LED40: 3800lm LED70: 6600lm	<b>Overall diameter</b>	LED10/LED20: 160mm LED70: 200mm LED40: 160mm (IP20) & 200MM (IP65)
		<b>Installation</b>	Surface Mount

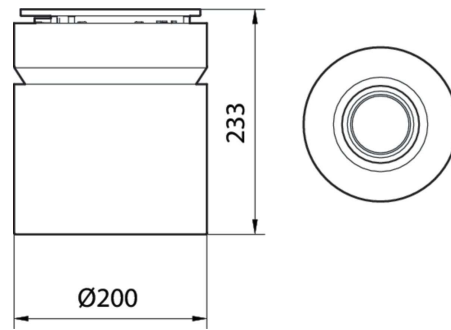
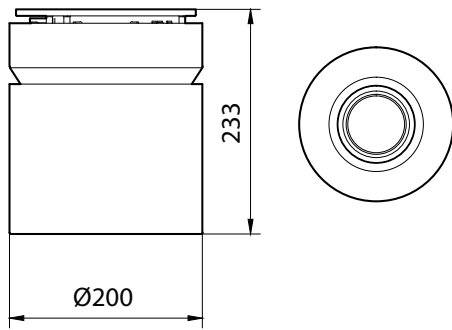
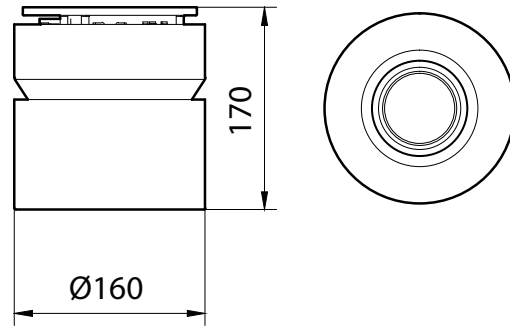
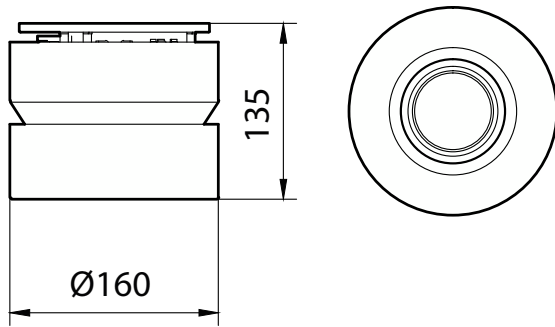
## Versions



GreenSpace SM IP20 3800lm

# GreenSpace Surface-mounted

## Dimensional drawing



# GreenSpace Surface-mounted

General Information	
Driver included	Yes
Light source replaceable	No
Number of gear units	1 unit
Service tag	Yes
Light Technical	
Color rendering index (CRI)	>80
Optic type	High-gloss mirror
Operating and Electrical	
Protection class IEC	Safety class I
Input Voltage	220 to 240 V
Line Frequency	50 or 60 Hz
Suitable for random switching	No
Controls and Dimming	
Dimmable	No
Mechanical and Housing	
Optical cover type	Reflector
Mech. impact protection code	IK02
Approval and Application	
Ambient temperature range	-20 to +40 °C
CE mark	Yes
ENEC mark	-
Flammability mark	-
Glow-wire test	Temperature 750 °C, duration 5 s
Initial Performance (IEC Compliant)	
Luminous flux tolerance	+/-10%
Over Time Performance (IEC Compliant)	
Driver failure rate at 5000 h	1.00 %
Median useful life L80B50	40,000 hour(s)
Median useful life L90B50	20,000 hour(s)

## Light Technical

Order Code	Full Product Name	Beam angle of light source	Correlated Color	Luminous	Luminous Flux
			Temperature (Nom)	Efficacy (rated) (Nom)	
911401509131	SM291C LED10/830 PSU BK	-	3000 K	100 lm/W	1,000 lm
911401847199	SM291C LED10/830 PSU WH GM	- degree(s)	3000 K	100 lm/W	1,000 lm
911401847299	SM291C LED10/840 PSU WH GM	- degree(s)	4000 K	100 lm/W	1,000 lm
911401847399	SM291C LED10/865 PSU WH GM	- degree(s)	6500 K	100 lm/W	1,000 lm
911401847499	SM293C LED20/830 PSU WH GM	- degree(s)	3000 K	105 lm/W	2,000 lm
911401847599	SM293C LED20/840 PSU WH GM	- degree(s)	4000 K	105 lm/W	2,000 lm
911401847699	SM293C LED20/865 PSU WH GM	- degree(s)	6500 K	105 lm/W	2,000 lm
911401847799	SM295C LED70/840 PSU WP WH GM	- degree(s)	4000 K	100 lm/W	6,600 lm
911401847999	SM294C LED40/840 PSU WP WH GM	- degree(s)	4000 K	105 lm/W	3,800 lm
911401848099	SM295C LED70/865 PSU WP WH GM	- degree(s)	6500 K	100 lm/W	6,600 lm
911401848299	SM294C LED40/865 PSU WP WH GM	- degree(s)	6500 K	105 lm/W	3,800 lm
911401848399	SM294C LED40/830 PSU WP WH GM	- degree(s)	3000 K	105 lm/W	3,800 lm
911401848699	SM294C LED40/840 PSU WH GM	- degree(s)	4000 K	100 lm/W	3,800 lm
911401848799	SM294C LED40/865 PSU WH GM	- degree(s)	6500 K	100 lm/W	3,800 lm
911401848899	SM295C LED70/840 PSU WH GM	- degree(s)	4000 K	100 lm/W	6,600 lm

## Operating and Electrical

Order Code	Full Product Name	Power Consumption
911401509131	SM291C LED10/830 PSU BK	10 W
911401847199	SM291C LED10/830 PSU WH GM	10 W
911401847299	SM291C LED10/840 PSU WH GM	10 W
911401847399	SM291C LED10/865 PSU WH GM	10 W
911401847499	SM293C LED20/830 PSU WH GM	19 W
911401847599	SM293C LED20/840 PSU WH GM	19 W
911401847699	SM293C LED20/865 PSU WH GM	19 W
911401847799	SM295C LED70/840 PSU WP WH GM	66 W

Order Code	Full Product Name	Power Consumption
911401847999	SM294C LED40/840 PSU WP WH GM	36 W
911401848099	SM295C LED70/865 PSU WP WH GM	66 W
911401848299	SM294C LED40/865 PSU WP WH GM	36 W
911401848399	SM294C LED40/830 PSU WP WH GM	36 W
911401848699	SM294C LED40/840 PSU WH GM	38 W
911401848799	SM294C LED40/865 PSU WH GM	38 W
911401848899	SM295C LED70/840 PSU WH GM	66 W

## Mechanical and Housing

## GreenSpace Surface-mounted

Order Code	Full Product Name	Housing Color	Ingress protection code
911401509131	SM291C LED10/830 PSU BK	Black	IP20
911401847199	SM291C LED10/830 PSU WH GM	White	IP20
911401847299	SM291C LED10/840 PSU WH GM	White	IP20
911401847399	SM291C LED10/865 PSU WH GM	White	IP20
911401847499	SM293C LED20/830 PSU WH GM	White	IP20
911401847599	SM293C LED20/840 PSU WH GM	White	IP20
911401847699	SM293C LED20/865 PSU WH GM	White	IP20
911401847799	SM295C LED70/840 PSU WP WH GM	White	IP65

Order Code	Full Product Name	Housing Color	Ingress protection code
911401847999	SM294C LED40/840 PSU WP WH GM	White	IP65
911401848099	SM295C LED70/865 PSU WP WH GM	White	IP65
911401848299	SM294C LED40/865 PSU WP WH GM	White	IP65
911401848399	SM294C LED40/830 PSU WP WH GM	White	IP65
911401848699	SM294C LED40/840 PSU WH GM	White	IP20
911401848799	SM294C LED40/865 PSU WH GM	White	IP20
911401848899	SM295C LED70/840 PSU WH GM	White	IP20

### Initial Performance (IEC Compliant)

Order Code	Full Product Name	Initial chromaticity
911401509131	SM291C LED10/830 PSU BK	(0.44, 0.40) SDCM <5
911401847199	SM291C LED10/830 PSU WH GM	(0.44, 0.40) SDCM <5
911401847299	SM291C LED10/840 PSU WH GM	(0.38, 0.38) SDCM <5
911401847399	SM291C LED10/865 PSU WH GM	(0.31, 0.32) SDCM <5
911401847499	SM293C LED20/830 PSU WH GM	(0.44, 0.40) SDCM <5
911401847599	SM293C LED20/840 PSU WH GM	(0.38, 0.38) SDCM <5
911401847699	SM293C LED20/865 PSU WH GM	(0.31, 0.32) SDCM <5
911401847799	SM295C LED70/840 PSU WP WH GM	(0.38, 0.38) SDCM <5

Order Code	Full Product Name	Initial chromaticity
911401847999	SM294C LED40/840 PSU WP WH GM	(0.38, 0.38) SDCM <5
911401848099	SM295C LED70/865 PSU WP WH GM	(0.31, 0.32) SDCM <5
911401848299	SM294C LED40/865 PSU WP WH GM	(0.31, 0.32) SDCM <5
911401848399	SM294C LED40/830 PSU WP WH GM	(0.44, 0.40) SDCM <5
911401848699	SM294C LED40/840 PSU WH GM	(0.38, 0.38) SDCM <5
911401848799	SM294C LED40/865 PSU WH GM	(0.31, 0.32) SDCM <5
911401848899	SM295C LED70/840 PSU WH GM	(0.38, 0.38) SDCM <5

